



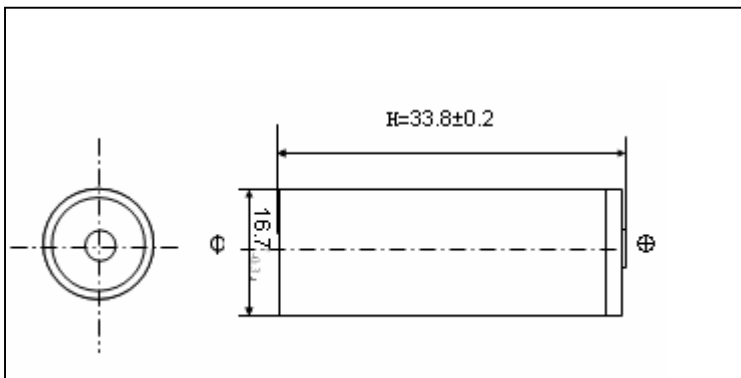
DB LECTRO LTD
COMPOSANTS ÉLECTRONIQUES
ELECTRONIC COMPONENTS

3.3V/400mAh



LIR123A

■ **Dimensions in mm(not to scale):**



■ **Specifications**

Item		Characteristics
Rated capacity		400mAh (0.2C Discharge)
Nominal voltage		3.20V
Internal impedance (1KHz)		≤250mΩ
Charge	Max Charge Current	400mA
	Charge Limit Voltage	3.85V
	Standard Charge	About 8h 0.5C
	Quick Charge	About 2.5h 1C
Discharge	Max Discharge Current	800mA
	Terminal Voltage	2.0V
Cycle Life		500 times 1C discharge
Dimension (mm)		Φ16.7*33.8
Weight		17.0±0.5g
Operation temp	Charge	0~45℃
	Discharge	-20~+60℃
Storage tempp	<2 months	-20~+45℃
	>6 months	-20~+35℃