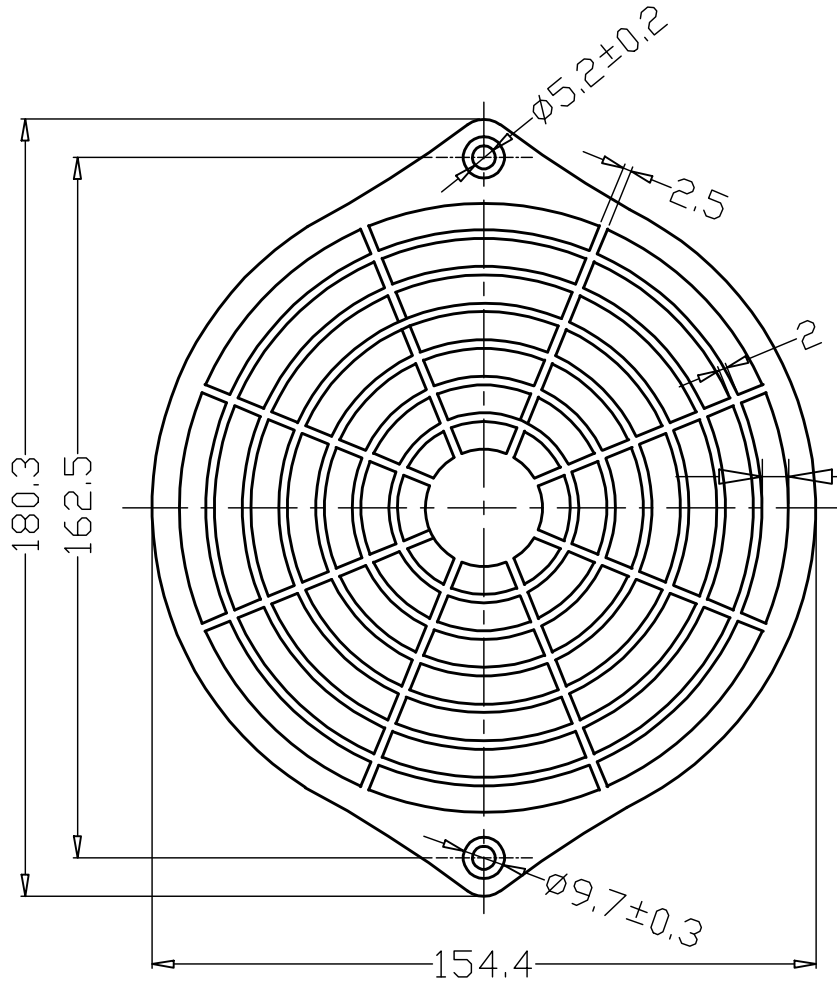
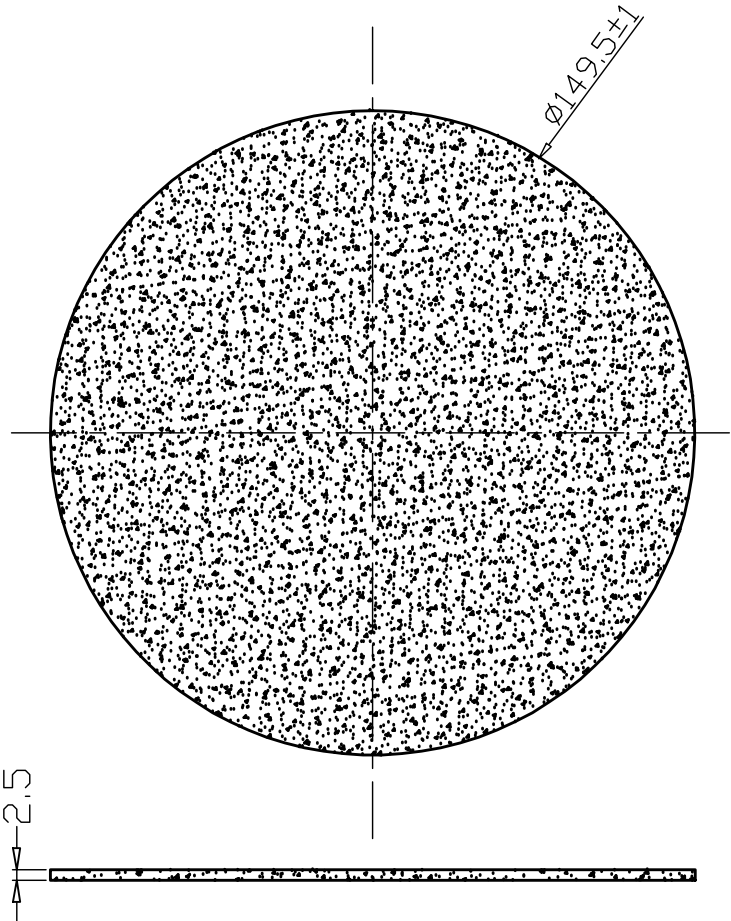
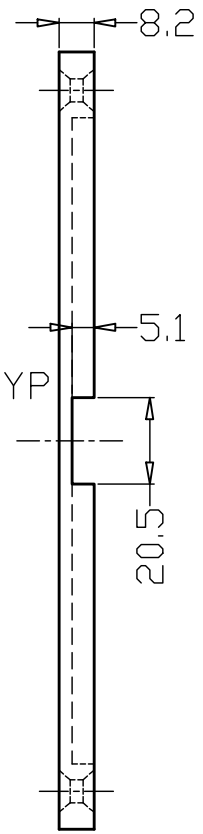


EDITION	DATE	REVISION RECORD	REVISION NO.	APPROVE



RETAINER

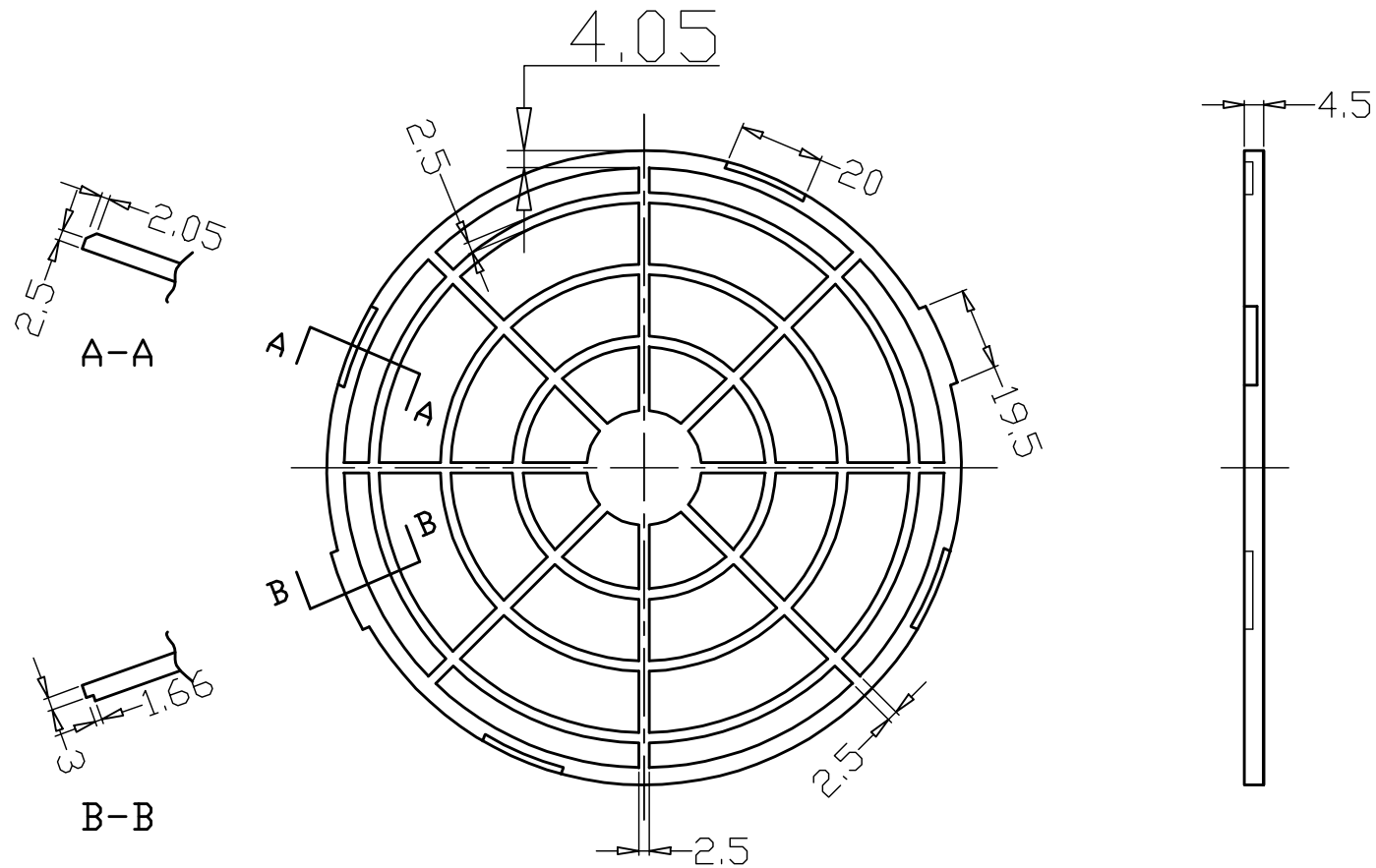


SPONGY FILTER

NOTES:
FAN GUARD MATERIAL : ABS-757 .
FILTER DENSITY : PPI 30、35、40、45.
GENERAL TOLERANCE UNLESS NOTED : ±0.5
UNIT : mm.

DO NOT SCALE DRAWING				CUSTOMER PART NO.	
DRAWN BY	CHECKED	APPROVED	SCALE 1/2	TME	LFT172
			DRAWING DATE	MATERIAL	SEE NOTES
			2007.8.18	FINISH	SEE NOTES

EDITION	DATE	REVISION RECORD	REVISION NO.	APPROVE



FAN GUARD

NOTES:

FAN GUARD MATERIAL : ABS-757.
 FILTER DENSITY : PPI 30, 35, 40, 45.
 GENERAL TOLERANCE UNLESS NOTED : ±0.5
 UNIT : mm.

DO NOT SCALE DRAWING				CUSTOMER PART NO.	
DRAWN BY	CHECKED	APPROVED	SCALE 1/2	TME	LFT172
			DRAWING DATE	MATERIAL	SEE NOTES
			2007.8.18	FINISH	SEE NOTES