

LBCX16

迷你圆形船型开关



常规电压: 5-24V 220V, 定制其它电压
常规颜色: 红色、绿色; 定制: 蓝色、黄色、白色



不锈钢外壳



镀银引脚



长寿命LED灯珠



专用接插件

型号说明/选型, 写法举例: LBCX16-Y202/R5-24V/S(L)

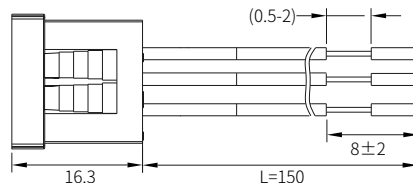
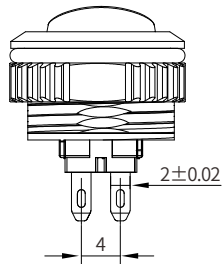
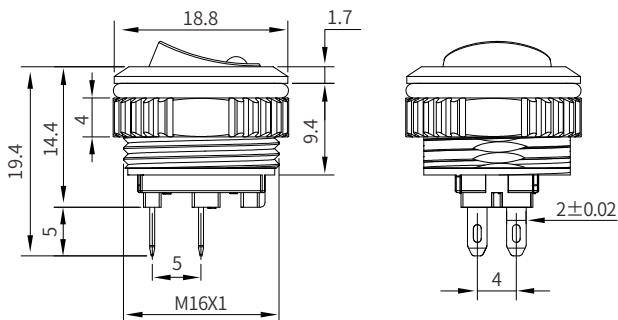
对应编号		LB	CX	●●	—	●	●●	●	/	●	●	/	●	L
		1	2	3		4	5	6		7	8		9	10
1	LB	LANBOO 蓝波代码												
2	船型开关代码	CX												
3	安装孔径	16—开孔16mm												
4	翘板颜色	Y—银色、H—黑色												
5	开关组合	20—2NO、22—2NO2NC												
6	档位	2—2档												
7	发光颜色	R—红色、G—绿色, 定制: B—蓝色、Y—黄色、W—白色												
8	输入电压	5-24V, 220V, 定制: 3-8V、25-48V、110V, AC/DC 通用												
9	外壳材质	S—不锈钢, 定制: N—铜镀铬、A—铝氧化												
10	(L)	内部代码												

性能参数

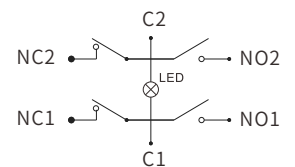
开孔直径	对应孔径+0.3mm, 例如: LBCX16为Φ16.3mm
外壳	不锈钢, 可定制: 镀铬、铝氧化
底座	PA66+GF20(RoHS)
翘板	PC黑色/ABS镀铬 (RoHS), V2级阻燃
透光罩	PC乳白色 (RoHS), V2级阻燃



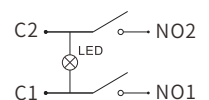
支架	PA66+GF20(RoHS)
触点	银氧化锡AgSnO2 (RoHS)
引脚	镀银 (RoHS)
安装面板厚度	≤7.5mm
按压力	5±2N
接线形式	引脚式, 可配接插件
耐焊性	≤380°C (25~50W电烙铁) ≤2秒
插片可焊性试验	各引脚分别焊接1mm ² 电线, 80N正向拉力后, 无脱落
引脚反向推力	≥50N无位移, 1min
头部防脱顶牛	≥150N, 1min
工作环境温度	-40°C~+80°C, 非真空状态、不结冰情况下
工作环境湿度	45~90%RH
贮存环境温度	包装完好情况下, -40°C~+55°C
贮存环境湿度	包装完好情况下, 45~90%RH
约定发热电流	Ith: 7A, 250VAC
电阻性负载	AC-15: 125V/250V: 7A; DC-13: 12V/24V/36V: 7A
电感性负载	AC-15: 110V/220V: 3A; DC-13: 110V: 3A
接触电阻	≤50mΩ
绝缘电阻	≥1000MΩ
抗电强度 (工频耐压)	2000VAC, 50HZ, 1min
触点最小适用负载	3V AC/DC, 5mA (参考值, 取决于环境与负载情况)
耐振性	XYZ三向, 60HZ, 振幅2mm
产品防跌落	头部竖直跌落1米, 3次, 能正常工作
包装跌落	600mm高度连续跌落4次, 产品无损坏
耐冲击性	各部位能承受冲击力10g, 能正常工作
温升试验	按GB/T14048.5标准中8.3.3.3条款
盐雾试验	72h, 3个周期, (参考 GB/T 2423.18-2012)
低温试验	-40°C, 96h, 接触电阻≤200mΩ、按压力变化值≤30%, LED 正常
高温试验	80°C, 96h, 接触电阻≤200mΩ、按压力变化值≤30%, LED 正常
高低温冲击试验 (含 LED 灯加速老化试验)	-40~+85°C, 85%RH, 40min/循环, 50个循环, 接触电阻≤200mΩ、按压力变化值≤30%, LED 正常
电气寿命	阻性负载: AC220V/7A、DC36V/7A: 2万次; AC220V/0.5A、DC36V/0.5A: 5万次 (参考GB/T14048.5)
机械寿命	20万次, (参考GB/T14048.5)
ESD静电	人体模式: 2KV, 可定制8KV
LED额定电流	≤24V, ≤20mA; >24V, ≤10mA
LED灯珠类型	贴片无极双芯片LED
LED降压方式	内置降压电阻
LED寿命	≥50000h (参考值)
产品认证	CCC CE RoHS (定制) REACH (定制)
专利号	202230613535.1
质保	66个月



0.5mm²国标铜芯线
长度L: 150mm; 可定制线长
此接插件适用于LBCX16、LBCX1409



6脚2档原理图



4脚2档原理图





中国·蓝波
LANBOO

蓝波大电流开关
Pioneer of High-Current Switches
CE RoHS Intertek ISO9001 多项专利

LBCX16 specification
Mini Rocket switch

LBCX16

Mini Rocker Switch



Normal Voltage:5-24V 220V,Customizable Other Voltage
Normal Color:Red/Green;Customizable:Blue/Yellow/White



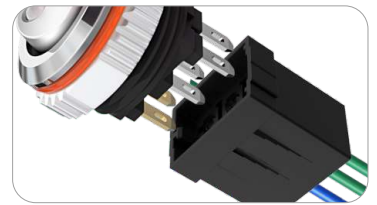
Stainless steel case



Gold/silver plated pin



Long life LED



Connector

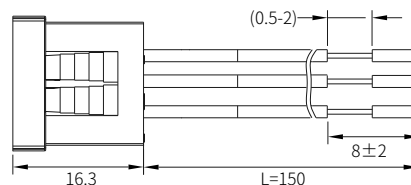
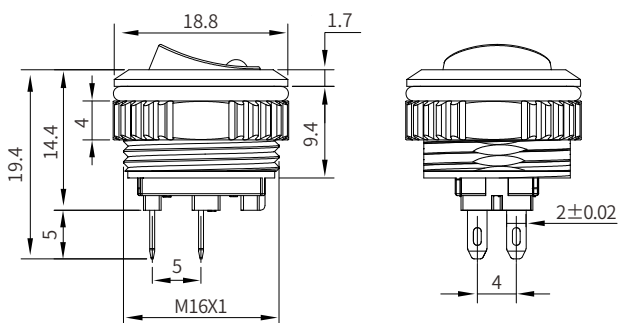
Model Description/Selection, Example: CX16-Y202/R5-24V/S(L)

The Corresponding Number	LB	CX	●●	—	●	●●	●	/	●	●	/	●	L
	1	2	3		4	5	6		7	8		9	10
1	LB	LANBOO											
2	Series No.	CX											
3	Install Diameter	16mm											
4	Warping color	Y—Silver、H—Black											
5	Switch Combination	20—2NO、22—2NO2NC											
6	Gear	2—2 gear											
7	LED Color	R -Red, G -Green, Custom: B -Blue, Y -Yellow, W -White											
8	LED Voltage	5-24V, 220V, Customized: 3-8V、25-48V、110V, AC/DC General Purpose											
9	Shell Material	S - stainless steel, custom: N - copper chrome, A - aluminum oxidation											
10	(L)	Internal Code											

The performance parameters

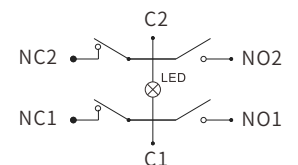
Hole Diameter	Corresponding aperture +0.3mm, for example: LBCX16 is Φ16.3mm
Shell	Stainless steel, customized: chrome plated, aluminum oxidized
Base	PA66+GF20(RoHS)
Rocker	PC black/ABS chrome plated (RoHS), V2 flame retardant
Diaphane	PC milky white (RoHS), V2 grade flame retardant

Support	PA66+GF20(RoHS)
Contact point	Silver Tin Oxide AgSnO2 (RoHS)
Pins Material	Silver Tin Oxide AgSnO2 (RoHS)
Installation panel thickness	≤7.5mm
Under pressure	5±2N
Connection Mode	Pins, Special connector can be selected
Welding resistance	≤380°C (25 ~ 50W soldering iron) ≤2 seconds
Insert weldability test	Each pin is welded with 1mm ² wire, and does not fall off after 80N positive pulling force
Pin reverse thrust	≥50N No displacement, 1 minute
The head should not fall off	≥150N, 1min
Ambient Temperature	-40°C~+80°C, In non vacuum and non icing conditions
Working ambient humidity	45~90%RH
Storage environment temperature	Under intact packaging, -40°C~+55°C
Storage environment humidity	Under intact packaging, 45~90%RH
Conventional thermal current	Ith: 7A, 250VAC
Resistance load	AC-15: 125V/250V:7A; DC-13: 12V/24V/36V:7A
Inductance Load	AC-15: 110V/220V:3A; DC-13: 110V:3A
Contact resistance	≤50mΩ
Insulation resistance	≥1000MΩ
Dielectric strength (power frequency withstand voltage)	2000VAC, 50HZ, 1min
Minimum applicable load of contacts	3V AC/DC, 5mA (Reference value, depending on environment and load conditions)
Resistance to vibration	XYZ three way, 60Hz, amplitude 2mm
Product drop prevention	Head vertical drop of 1 meter, 3 times, able to work normally
Packaging drop	4 consecutive drops from a height of 600mm, with no damage to the product
Impact resistance	Each part can withstand an impact force of 10g and work normally
Temperature rise test	According to clause 8.3.3.3 of GB/T14048.5 standard
Salt spray test	72 hours, 3 cycles, (refer to GB/T 2423.18-2012)
Low Temperature	-40 °C, 96h, contact resistance ≤ 200m Ω, pressure change value ≤ 30%, LED normal
High Temperature Test	80 °C, 96h, contact resistance ≤ 200m Ω, pressure change value ≤ 30%, LED normal
High and low temperature impact test (including LED lamp accelerated aging test)	-40~+85 °C, 85% RH, 40min/cycle, 50 cycles, contact resistance ≤ 200m Ω, pressure change value ≤ 30%, LED normal
Electrical life	Resistive load: AC220V/7A, DC36V/7A: 20000 times; AC220V/0.5A, DC36V/0.5A: 50000 times (refer to GB/T14048.5)
Mechanical life	200000 times, (refer to GB/T14048.5)
ESD static electricity	Human mode: 2KV, customizable for 8KV
LED rated current	≤24V, ≤20mA; >24V, ≤10mA
LED bead type	SMT Poleless Dual Chip LED
LED voltage reduction method	Built in step-down resistor
LED Life	≥50000h (reference value)
Product Certification	CCC CE RoHS (customized) REACH (customized)
Patent number	202230613535.1
Quality Assurance	66 Months

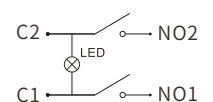


0.5mm² copper core wire
 L: 150mm; length can be customized

This connector is suitable for LBCX16 and LBCX1409



6-pin 2 gear schematic diagram



4-pin 2 gear schematic diagram