

LANBOO | Fall In Love With Things
Industrial Control | Made In China

• LANBOO INTELLIGENT CONTROL TECHNOLOGY
(ZHEJIANG) CO., LTD

Shiny

Sales Manager

+86 13165850065

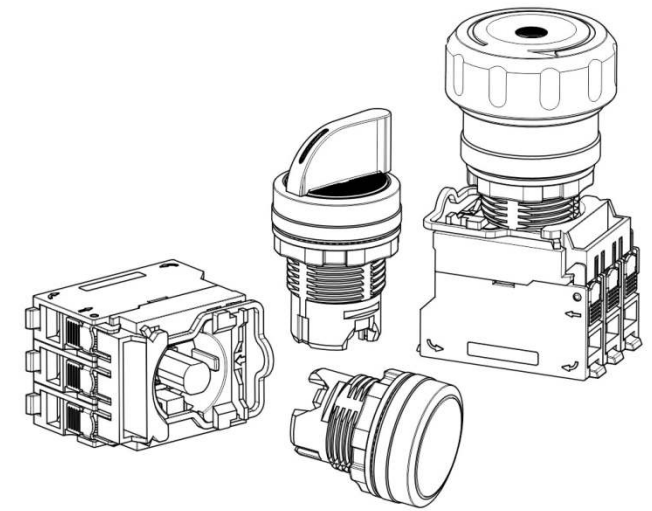
Phone/WhatsApp/Wechat

☎ +86 15372868655

🌐 LANBOOSWITCH.COM NAN-BO.COM LANBOO.VIP

✉ xiaoxiao@lbznkjxgs.wecom.work

📍 No.12,Yongxing 2 Road,Chengdong Street,Yue
Qing City,Zhe Jiang province,China



1S Plug-in	25A Ui:660V Ith:25A	22mm Diameter	LED 50000H LongLifeLED	>0.5 Million Electrical Life >10 Million Mechanical Life
---------------	---------------------------	------------------	------------------------------	---

GLOBAL PIONEER

Push Button、Indicator Light
Plug-in

LANBOO | Fall In Love With Things
Industrial Control | Made In China

Original Spirit

蓝波

LANBOO founded in 2014, Mainly research and development push button, is a professional manufacturers with 11 years of experience, High-quality metal butt-on switch, Indicator light, Emergency stop switch, Key switch, Knob, Buzzer, Rocker switch, Touch switch, Waterproof, Dustproof, Explosion-proof and other functions, can be customized development!

More than 50 national patents and invention patents, through the ISO9001 quality management system certification, Have CE, SGS, CCC, CQC, UL, RoHs, TUV, REACH, CB, UL61058. Rich experience in research and development, lean production, high-level management, sales elite, legal team, to ensure high quality, efficient, excellent service, strive to build a high-quality LANBOO brand.

High-current metal button switch, breakthrough over 25A current unique, leading the forefront. On the way forward, we insist on continuous innovation and creation, and strive to create craftsman products. Through our efforts, become an excellent partner of many wellknown enterprises, Especially become the ODM/OEM supplier of CHINT group!

Our products are sold all over the world, In Europe and the United States market, get consistent high praise by the customers like and praise.

In 2020, 45 million RMB will be invested to purchase a new factory building with a construction area of more than 10,000 m² to improve production capacity again! Registered LANBOO international trademark, going global. Lanboo registered a all kinds of domestic trademarks, comprehensive coverage protection. Set up a wholly-owned subsidiary in Dongguan, focusing on R&D and manufacturing of high-end plastic buttons. Establish a high-end CNC workshop, and gradually realize manipulator clamping, improve product quality, and improve delivery time again.

We will continue to work hard and do better!



LB22SA

High Quality Push Button, Indicator Light

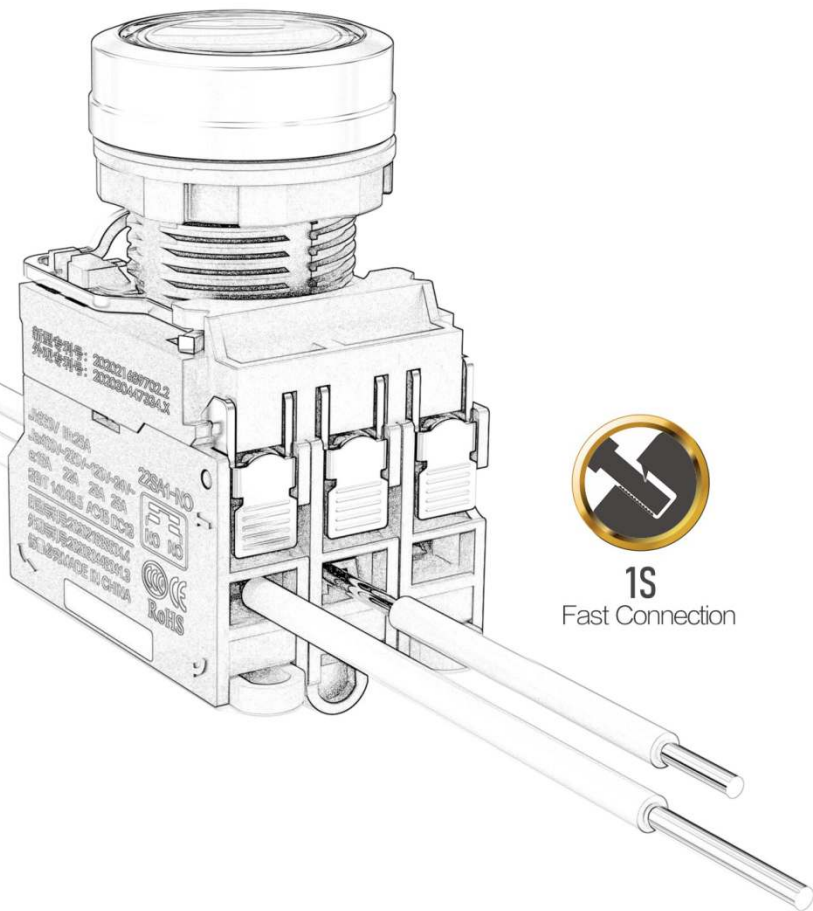
LANBOO Industrial Control | Fall In Love With Things Made In China





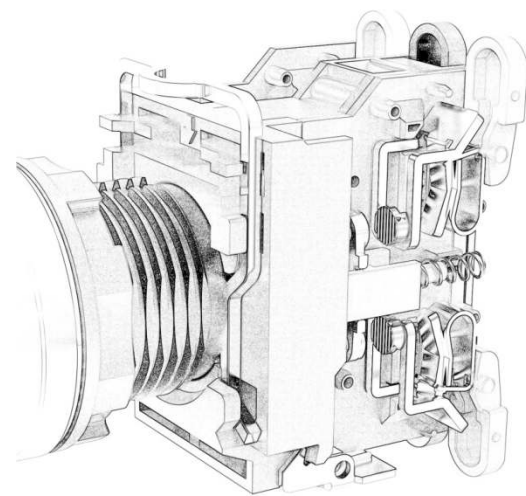
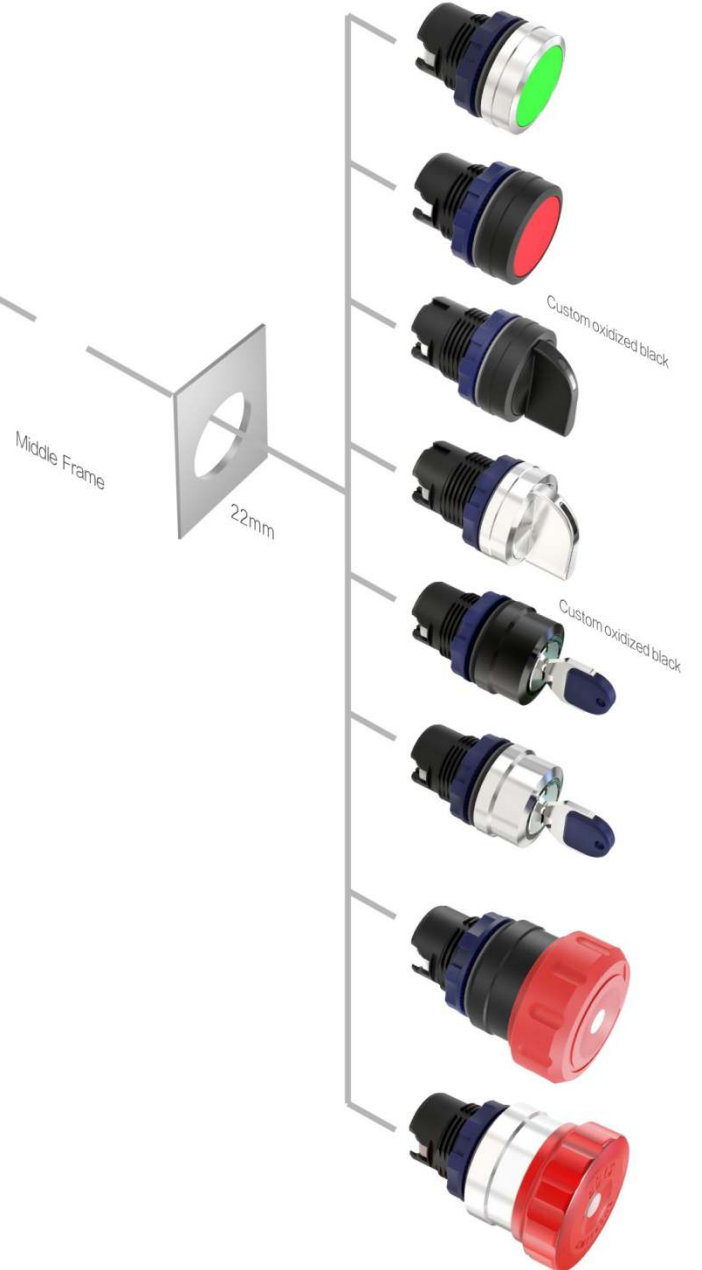
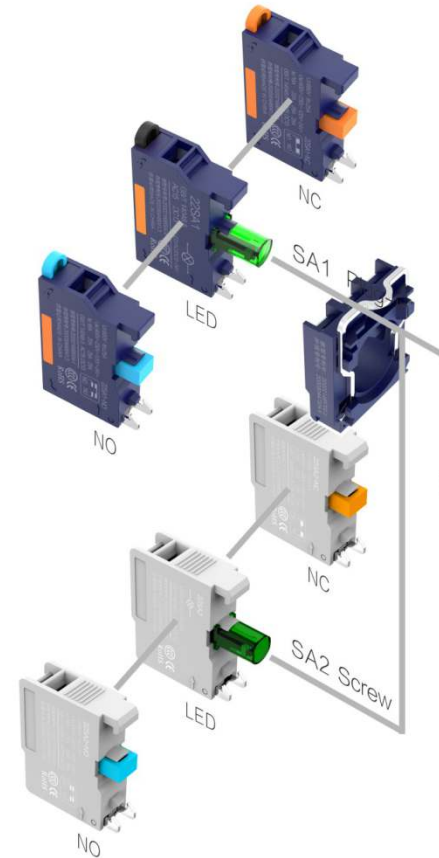
SUBVERTING

Another innovation
In the Buttonswitch industry
Completely change the traditional wiring
Save labor and time



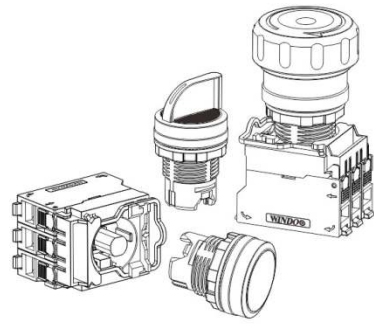
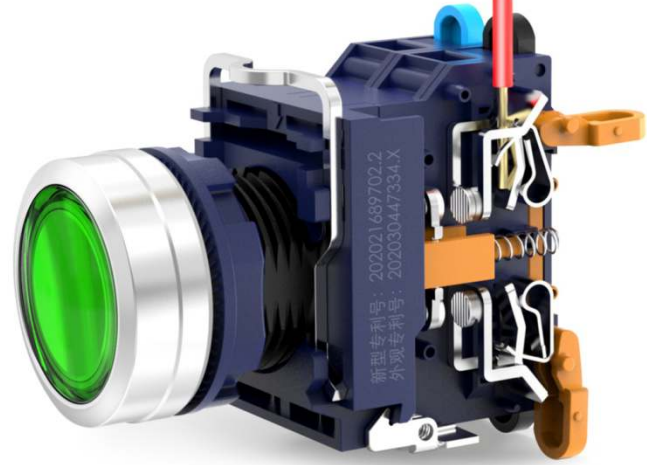
1S
Fast Connection

LB22SA High Quality Push Button \ Indicator Light



Current **25A** **A**
High-Current

Ui:660V/Ith:25A, Direct control of high power equipment

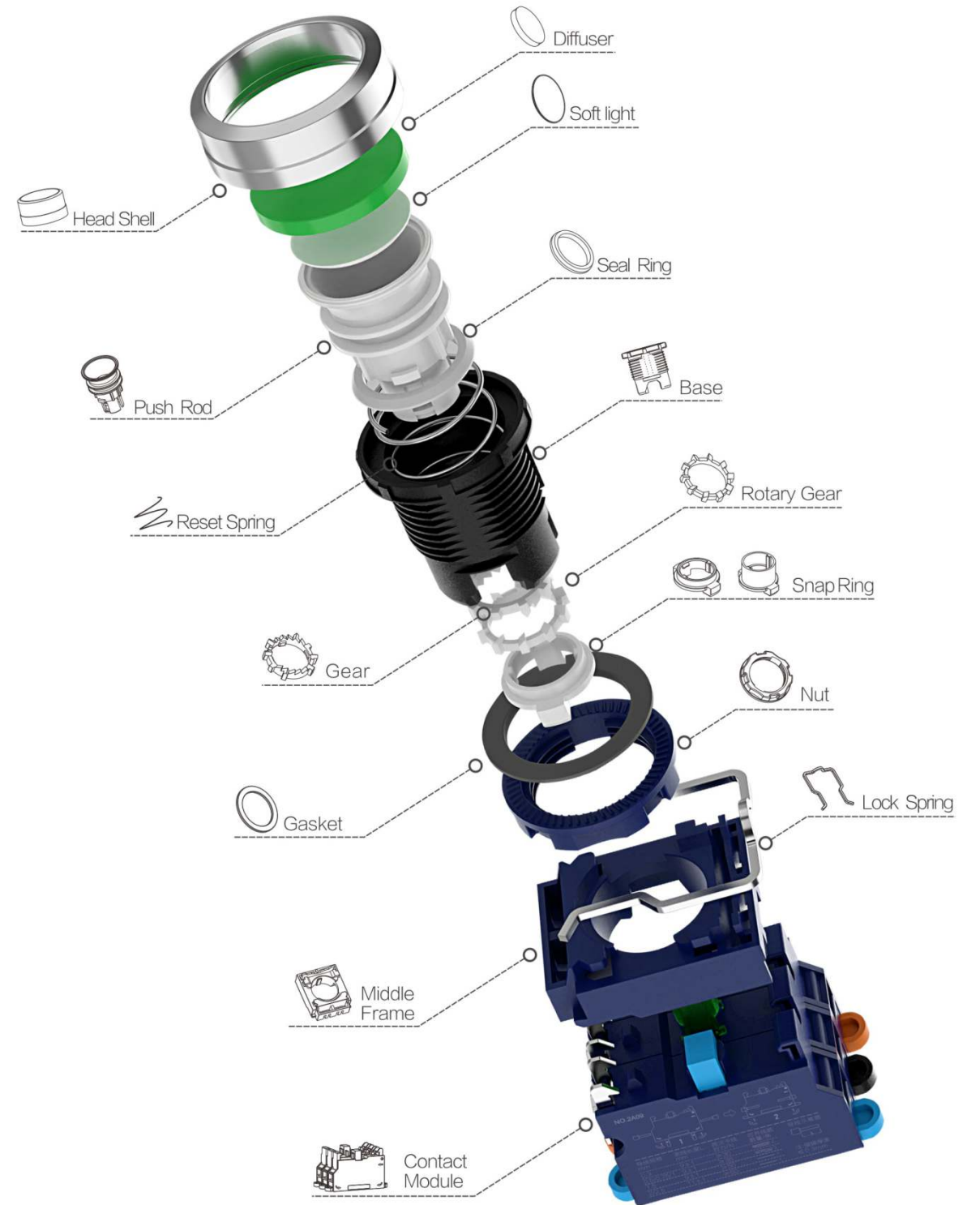


GLOBAL PIONEER

Push Button、Indicator Light

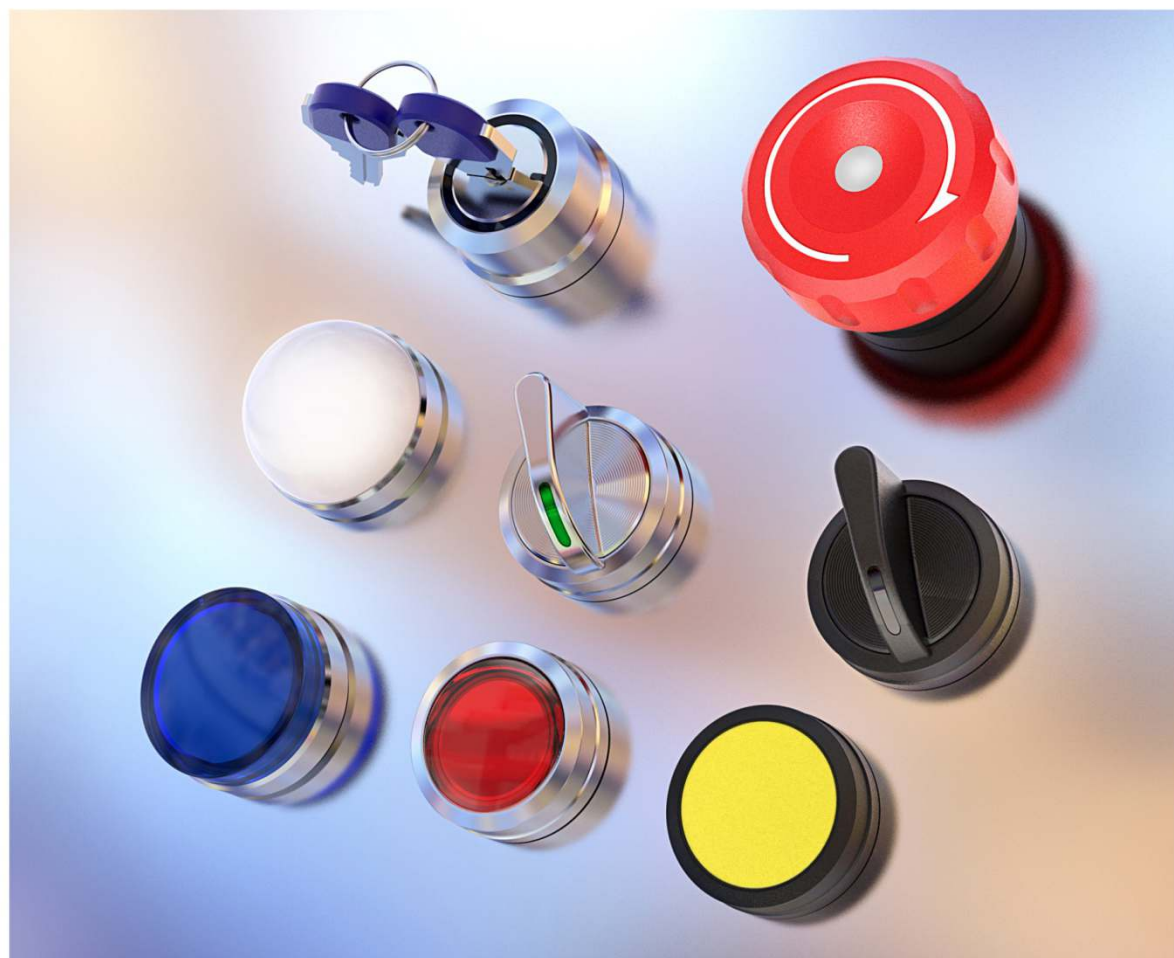
LB22SA

Push Button、Indicator Light



LB22SA

Push Button、Indicator Light



LANBOO

Industrial Control

Fall In Love With Things
Made In China

Product overview

LANBOO SA1 quick plug-in button switch, indicator light, Redesign and definition, Breaking the traditional design concept, Disassembly and installation without tools, 1 second quick plug wiring, can perfectly replace the market of button switches and indicators.

LABSA Series:

● Push button switch without LED

○ Momentary, Frosted key, Six colors are optional.



● Push button switch with LED

○ Momentary / Latching, Transparent key, Five colors



● Knob switch / Key switch

○ With LED, No LED, 2 Position, 3 Position, Momentary, Latching

● Emergency stop button

○ Maintain, M1 Plastic head, M3 Metal head

● Contact module

○ High power, Ith:25A high current slow motion dual contact module

○ Quick plug wiring, save time and effort

● LED module

○ 50000 hours, non-polar LED, low power consumption, ≤20mA

○ Voltage: 9-24V, 220V, Customize: 25-48V, 110V

○ LED color: red, green, blue, yellow, white

● Accessory



Concave design
Close to the finger

Material

Button switch: Default :6063 Aluminum oxide (RoHS)/PA66 (RoHS), V0
Customize :304 stainless steel (RoHS)
H57/59 copper chrome plated
Aluminum oxide black

Emergency button: M1:PA66 (RoHS)
M3:6063 Aluminum oxide Red (RoHS)

Head
Shell

Knob switch: Default:60636063 Aluminum oxide silver(RoHS)
Customize:60636063 Aluminum oxide black (RoHS)

Key switch: Default:60636063 Aluminum oxide silver(RoHS)
Customize:60636063 Aluminum oxide black (RoHS)



Plating Titanium

Key PC (RoHS) , V2 (Push button switch)

Nut PA66 (RoHS) V0

Gasket NBR、 Black; Customize silicone, white (RoHS)

Contact AgSnO2 (RoHS)

Middle frame PA66 (RoHS) , V0

Contact shell PA66 (RoHS) , V0

Base PA66 (RoHS) , V0

Pin H65 Silver plating (RoHS)

Model Code LB \emptyset \diamond \star \square \circ \bullet \blacktriangle \blacktriangledown \circ \star \ast

LB	LANBOO
\emptyset	Diameter : 22mm Series: SA1(Plug-In) SA2(Screw Connection)
\diamond	Parts Code: SA1-PushButton SA1Y1-Key Switch SA1X1-Knob Switch SA1M1-PC Emergency Button SA1M3-Metal Emergency Button SA1Z1-Indicator Light
\star	Head Shape: P-Flat Head Q-Ball Head H-High Head Y-Key Head X-Knob Head M-Mushroom Head
\blacklozenge	Contact: 10-1NO 20-2NO 30-3NO 1C-1NC 2C-2NC 3C-3NC 11-1NO1NC 22-2NO2NC 12-1NO2NC 21-2NO1NC
\blacksquare	Action form : F-Momentary Z-Maintain(Latching)
\odot	Key Material: C-Pervious to Light Blank: Frosted Key (This Item Only for Push button Switch)
\bullet	Key Color: R-Red G-Green B-Blue Y-Yellow W-White H-black(This Item Only for Frosted Key)
\blacktriangle	LED Color: R-Red G-Green B-Blue Y-Yellow W-White
\blacktriangledown	LED Voltage: 9-24V 220V, Customize: 25-48V 220V (AC/DC)
\circ	Shell Material: A-Aluminium oxide PC-Plastic Customize: S-Stainless Steel N-Chrome Plated Brass
\star	Position : 2-2 Position 3-3 Position (For knobs and key buttons, other switches please ignore)
\ast	Knob Handle Color: Default Silver Color, Customize: Black (For the knob, other switches please ignore)

LB22SA

IP65
IK08



Environmental Conditions

Ambient Temp	-40°C ~ +80°C, Non-vacuum, Non-freezing conditions
Ambient humidity	45 ~ 90%RH
Storage Temp	If the package is intact, -40°C ~ +55°C
Storage humidity	If the package is intact, 45 ~ 90%RH
Protection grade	IP65(Indicator light IP68), IK08 (GB/T 20138)
Anti-Vibration	XYZ Three-way, 60Hz, Amplitude 2mm
Fall prevention	1 meter drop, 3 times, Normal operation
Packaging drop	0.6 meter drop, 4 times, Normal operation
Shock resistance	Each part can withstand impact force 10g, Work normally
Temp rise test	Article 8.3.3.3 in GB/T14048.5
Salt spray test	72h, 3 Cycles, (GB/T 2423.18-2012)
Low-Temp test	-40°C,96h, Contact resistance $\leq 200m\Omega$,Key pressure change value $\leq 30\%$,LED work normally
High-Temp test	80°C,96h, Contact resistance $\leq 200m\Omega$,Key pressure change value $\leq 30\%$,LED work normally
Temp shock	-40 ~ +85°C, 85%RH, 40min/Cycle, 50Cycle, Contact resistance $\leq 200m\Omega$ 、Key pressure change value $\leq 30\%$, LED work normally

Electrical Specification

Resistive current	Ith:25A(Ui660VAC,Ue:400VAC)
Contact resistance	$\leq 50m\Omega$
Resistive load	AC-15:400V:16A,230V:22A,120V:25A; DC-13:24V:25A
Inductive load	AC-15:400V:2A,230V/120V:5A; DC-13:24V:6A
Insulation resistance	$\geq 1000M\Omega$
Dielectric strength	3500VAC,50Hz,1min(Between the terminal and the contact module lock) 2500VAC,50Hz,1min (Between contacts)
Contact Min load	3V AC/DC,5mA(Reference value,Depends on the environment and load)
ESD	Human body mode: 2KV, customize 8KV Resistive load:AC440V/16A、20000 times; AC230V/22A、50000 times
Electrical life	AC120V/25A、50000 times; DC24V/25A: 50000 times (GB/T14048.5)
Mechanical life	Momentary:10 million times; Latching:1million times(GB/T14048.5) M1/M3/Knob switch/Key switch/Momentary:2 million times, Latching: 300000times(GB/T14048.5)
Limit pressure test	Hold at the bottom for 5s, then loosen, 4 times /min, conduct 2000 tests

LANBOO

Industrial Control

Fall In Love With Things
Made In China

Rotation angle	Key switch/Knob switch :2 position, 60° ; 3 position 60°
Rotary force	Key switch/Knob switch :2 position, $\approx 4N$; 3 position $\approx 5N$
Keypress pressure	Push button switch head(Frosted Key): 5.8 \pm 0.8N, 1NC:13.2 \pm 0.8N, 1NO:14 \pm 1.5N 1NO1NC:18.5 \pm 1.2N 1NO2NC:23 \pm 2N, 2NO1NO:23.4 \pm 1.2N, 2NO:18.2 \pm 1.5N 2NC:18 \pm 2N, 3NO:21.8 \pm 1.8N, 3NC:24.1 \pm 1.8N Push button switch head(Transparency Key): 5.8 \pm 0.8N, 1NC:10 \pm 1.2N, 1NO:9.4 \pm 1N, 1NO1NC:14.7 \pm 1.2N, 2NO:18.2 \pm 1.5N, 2NC:15 \pm 1.2N M1/M3 head: 20.7 \pm 2.5N, 1NC:20.7 \pm 4N, 1NO:22.3 \pm 2N 1NO1NC:22.1 \pm 2.5N, 2NO:22.6 \pm 2.5N, 2NC:21.9 \pm 2.5N
Resistance to come off	$\geq 80N$, No come off, 1min (Contact module and middle frame) $\geq 200N$, No come off, 1min(Middle frame and button head)



LED

Rated current	$\leq 24V$, $\leq 20mA$; $>24V$, $\leq 10mA$
LED Type	SMT non-polar LED
Voltage drop	Built-in step-down resistor
LED life	$\geq 50000h$ (Reference value)



Packaging and other

Packaging	1 piece/bag, 10 bags/box Box size:105x165x80mm
Weight	Refer to the detailed product description at the back
Tolerance	GB/T 1804-m
Certification	CCC、CE、RoHS (Customize)、REACH (Customize)
Patent	202021689702.2 202030447334.X Contact module: ZL202021688504.4 ZL2020304448041.3 Middle frame: 202021689702.2 202030447334.X Push button switch: ZL202030447322.7 Indicator light: ZL202030447339.2 M1/M3 Emergency button: ZL202030447335.4 Knob switch: ZL202030448039.6 Key switch: ZL202130104748.7
Guarantee	66 Months





LB22SA1

High Quality Push Button, Indicator Light

LANBOO Industrial Control | Fall In Love With Things Made In China



LANBOO

Industrial Control

Fall In Love With Things Made In China

Push Button Switch

Characteristic	Contact	Head material	Key color	Icon	LED
Frosted key	1NO	Aluminum oxide	● Red	⬆	No
Momentary	1NC	Plastic black	● Green	⬆	
No LED	2NO	Customize 304	● Blue	⬆	
	2NC		● Yellow	⬆	
	3NO		○ White	⬆	
	3NC	H57/59	● Black	⬆	
	1NO1NC	Copper chrome		⬆	
	1NO2NC	Titanize		⬆	
	1NC2NO			⬆	



LB22SA1-P ◆■/PC

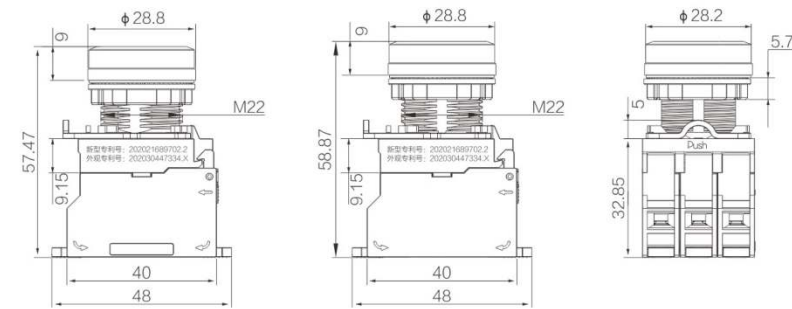
Plastic Head:11.9g、Metal Head:12.9g、Middle Frame:7.4g、NO:10.5g、NC:11.1g

Transparency key	1NO	Aluminum oxide	● Red	⬆	AC/DC
Momentary	1NC	Plastic black	● Green	⬆	9-24V
Latching	2NO	Customize 304	● Blue	⬆	220V
No LED	2NC		● Yellow	⬆	Customize
	1NO1NC	H57/59	○ White	⬆	25-48
		Copper chrome		⬆	110V
		Titanize		⬆	



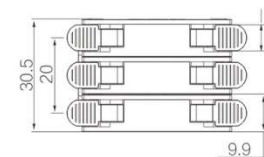
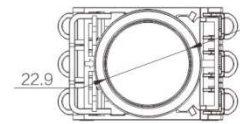
LB22SA1-P ◆■/C▲▼/PC

Plastic Head:12.9g、Metal Head:14.9g、Middle Frame:7.4g、NO:10.5g、NC:11.1g、LED:9.7g



Frosted key/No LED Momentary

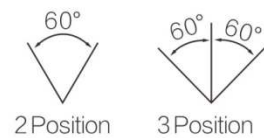
Transparency key/LED Momentary/Latching



LB22SA1-P ◆■/C▲▼/A

LB22SA1

Push Button、Indicator Light



Characteristic	Contact	Position	Head Material	LED Color	LED Volt
Momentary	NO NC	2/3 position	Aluminum oxide	Red Green Blue	AC/DC 9-24V 220V
Latching	2NO 2NC 1NO1NC	Latching Momentary	Customize Aluminum oxide Black	Yellow White	Customize 25-48 110V

Head:18.9g、Middle Frame:7.4g、NO:10.5g、NC:11.1g、LED:9.7g



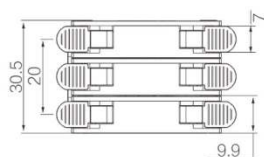
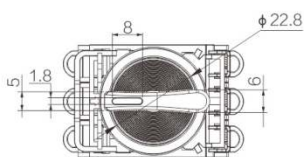
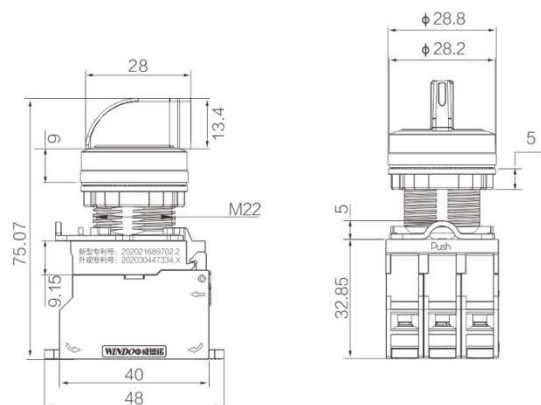
LB22SA1X1-X ◆■/A (Silver)



Customize black handle



Customize black handle and black head



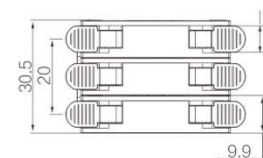
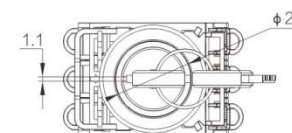
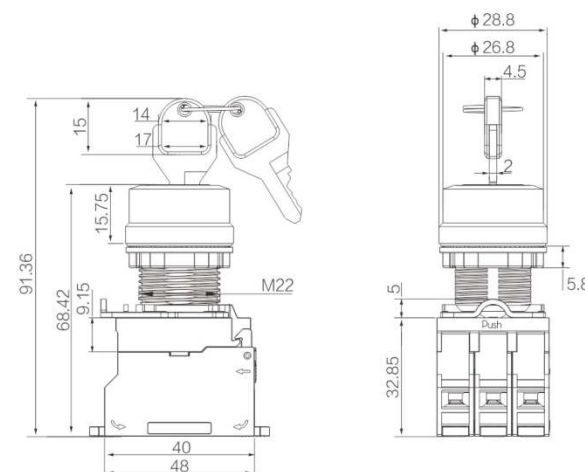
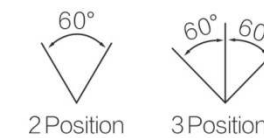
LANBOO

Industrial Control

Fall In Love With Things
Made In China

Characteristic	Contact	Position	Head Material	LED Color	LED Volt
Momentary	NO NC	2/3 position	Aluminum oxide	Red Green Blue	AC/DC 9-24V 220V
Latching	2NO 2NC 1NO1NC	Latching Momentary	Customize Aluminum oxide Black	Yellow White	Customize 25-48 110V

Head:29.9g、Middle Frame:7.4g、NO:10.5g、NC:11.1g、LED:9.7g



LB22SA1Y1-Y ◆■/A



Customize black head

LB22SA1

Push Button、Indicator Light

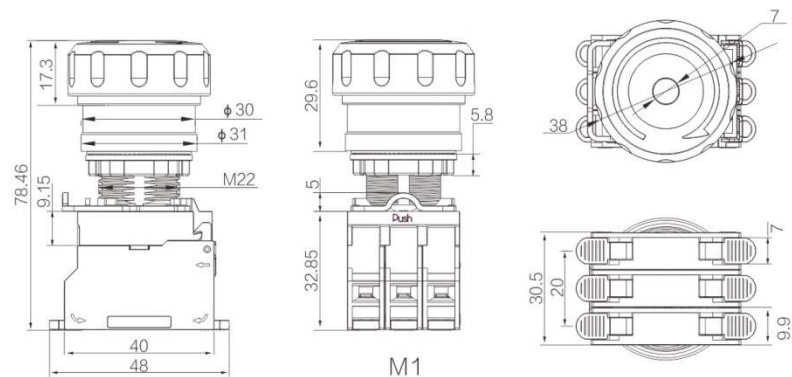
Emergency Stop Button Switch

Characteristic	Contact	Head Material	Icon	LED Color	LED Volt
Latching LED	NO NC	M1	M1	● Red	AC/DC
	1NO	Plastic		● Green	9-24V
	1NC	M3	● Blue	220V	
	2NO		Aluminum oxide	● Yellow	Customize
	2NC		Red	○ White	25-48
	1NO+1NC		M3		110V

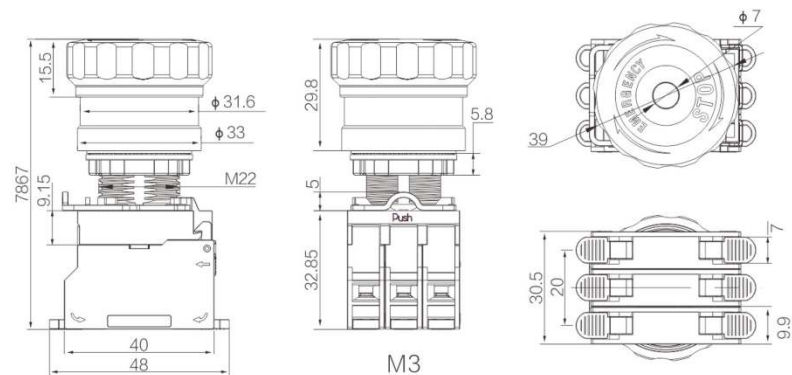
M1 Head:28.3g、M3 Head:43.5g、Middle Frame:7.4g、NO:10.5g、NC:11.1g、LED:9.7g



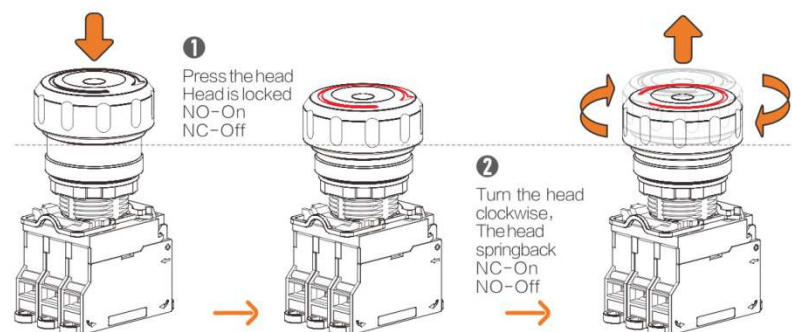
M1(Plastic Head)
LB22SA1M1-M ◆■/PC



M3(Metal Head)
LB22SA1M3-M ◆■/A



Method of application



LANBOO

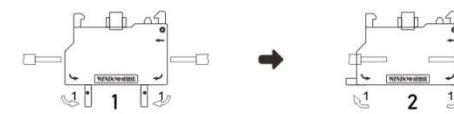
Industrial Control

Fall In Love With Things
Made In China

Contact module and wiring

Wiring Method: Plug-in fast connection

Lock wire capacity

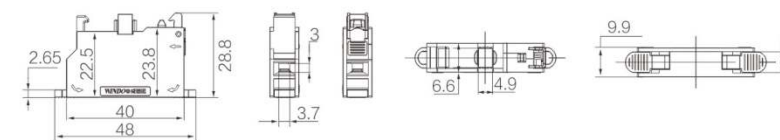


Wire size AWG	剥线长度L mm	Lock wire strength N	Quantity
22	9±1	≥30	4
20	9±1	≥35	3
17	9±1	≥35	2
16	9±1	≥50	1
13	11±1	≥50	1

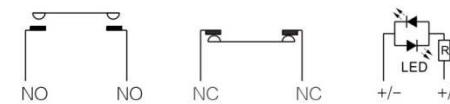
Note: Flexible wire thickness of tin immersion ≤0.3mm



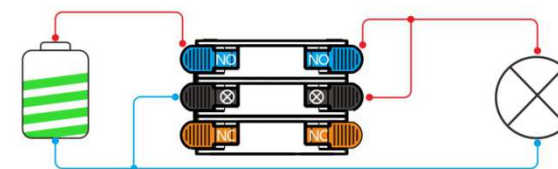
Contact module size



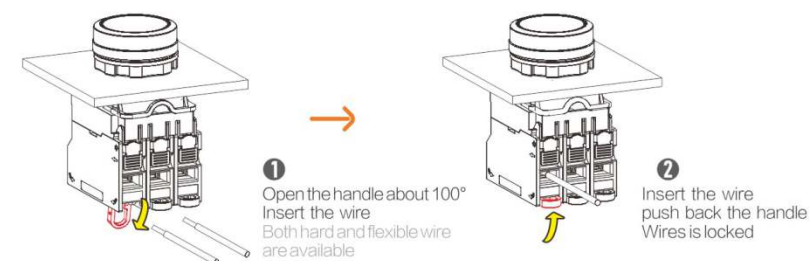
Contact schematic diagram



Wiring schematic

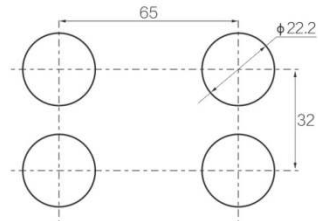


Quick Plug-in wire



LB22SA1

Push Button、Indicator Light

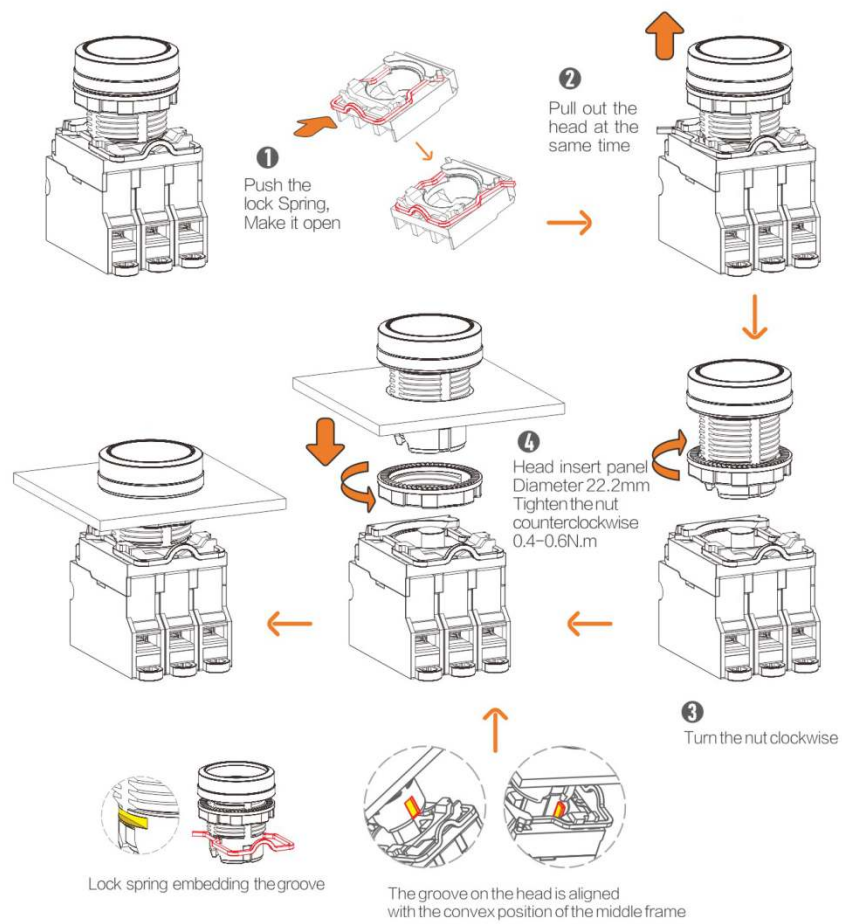


Mounting clearance

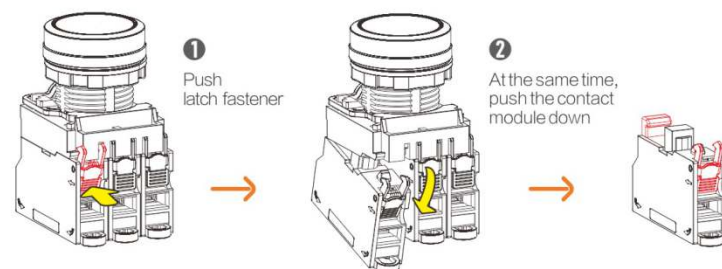
Install

Diameter 22.2mm
 Panel thickness Stop Switch: ≤4.5mm、Button switch: ≤5.5mm、
 indicator light/Key/Knob switch: ≤8mm
 Tightening torque 0.4-0.6N.m
 Nut performance Tighten the nut to deform the gasket, 5 times, no abnormality

Head and panel mounting



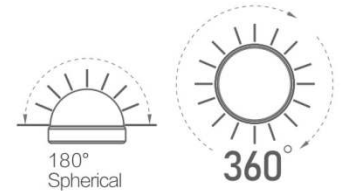
Module disassembly



LANBOO

Industrial Control

Fall In Love With Things
 Made In China



→ > 50000h
 LED Life

Ⓐ → ≤ 20mA
 Low power LED

Indicator light

LED Color	LED Voltage	Connection	Weight
● Red	AC/DC 9-24V 220V	Plug-in	Ball head Aluminum edge: 25.5g
● Green			Ball head Plastic edge: 19g
● Blue			Flat head Aluminum edge: 19.4g
● Yellow	Customize 25-48 110V		Flat head Plastic edge: 17.9g
○ White			



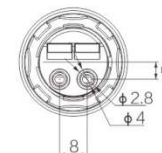
Flat head Aluminum edge



Ball head Aluminum edge



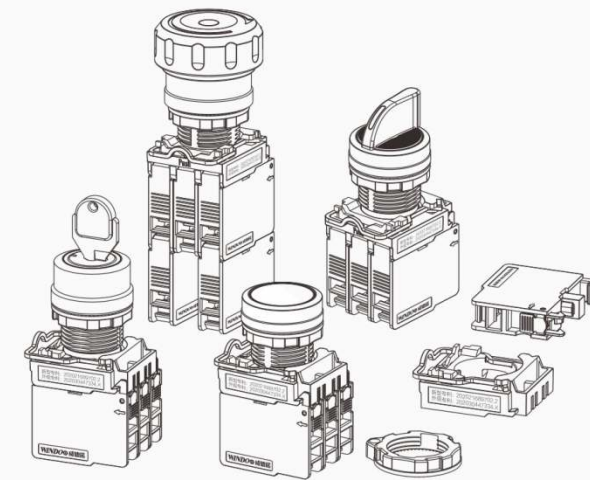
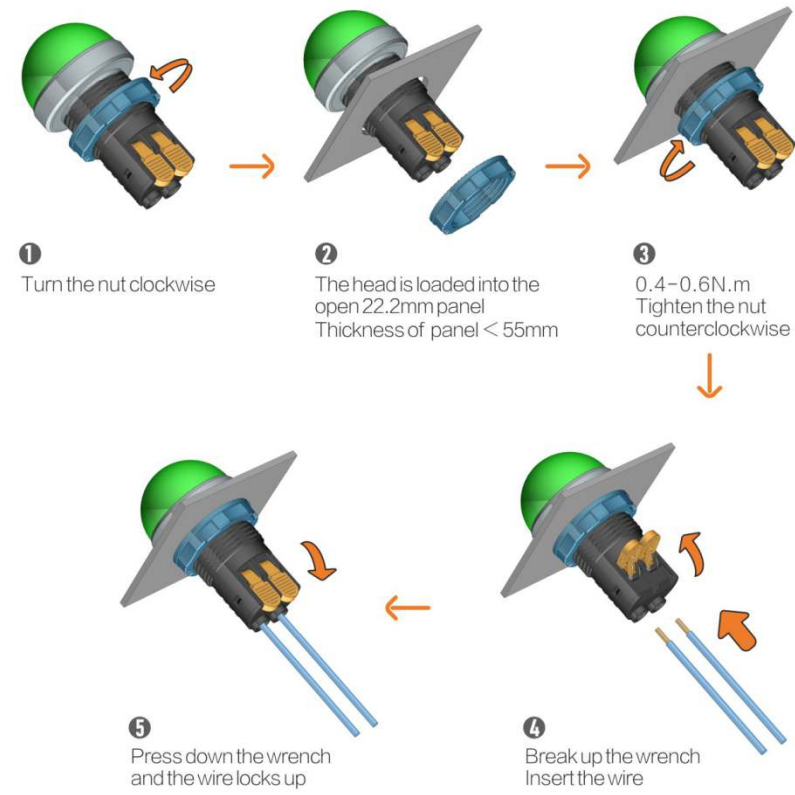
Ball head Plastic edge



LB22SA1

Push Button、Indicator Light

Install



3NO3NC... Splice	25A Ui:660V Ith:25A	22mm Diameter	LED 50000H LongLifeLED	>0.5 Million Electrical Life >10 Million Mechanical Life
---------------------	---------------------------	------------------	------------------------------	---

LB22SA2

Contact Module Free Combination



LB22SA2

Push Button, Indicator Light

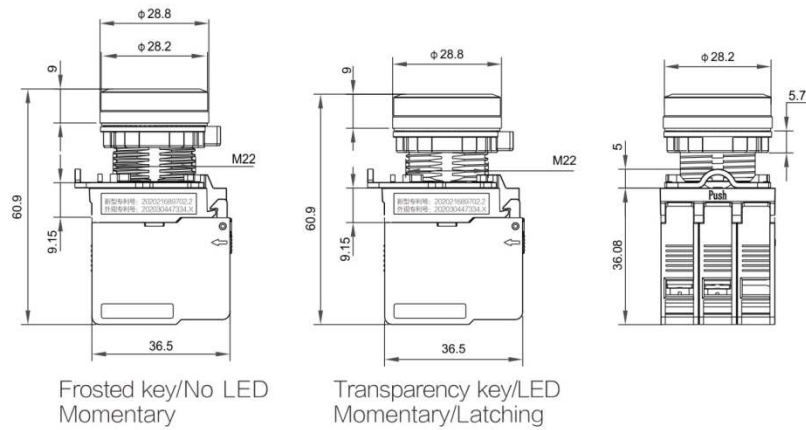
Push Button Switch

Characteristic	Contact	Head material	Key color	Icon	LED	
Frosted key	1NO	Aluminum oxide	● Red	⬆	No	
Momentary	1NC	Plastic black	● Green	⬆		
No LED	2NO	Customize	● Blue	⬆		
	2NC		304	● Yellow	⬆	
	3NO		H57/59	○ White	⬆	
	3NC	Copper chrome	● Black	⬆		
	1NO1NC	Titanize		⬆		
	1NO2NC			⬆		
	1NC2NO			⬆		

Plastic Head:11.9g、Metal Head:12.9g、Middle Frame:7.4g、NO:11.8g、NC:12.3g

Characteristic	Contact	Head material	Key color	Icon	LED	
Transparency key	1NO	Aluminum oxide	● Red	⬆	AC/DC	
Momentary	1NC	Plastic black	● Green	⬆	9-24V	
Latching	2NO	Customize	● Blue	⬆	220V	
No LED	2NC		304	● Yellow	⬆	Customize
	1NO1NC		H57/59	○ White	⬆	25-48
		Copper chrome		⬆	110V	
		Titanize		⬆		

Plastic Head:12.9g、Metal Head:14.9g、Middle Frame:7.4g、NO:11.8g、NC:12.3g、LED:10.9g



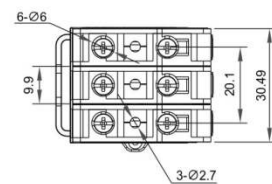
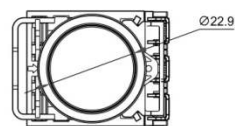
LB22SA2-P ◆■/PC



Pa66



Aluminum oxide



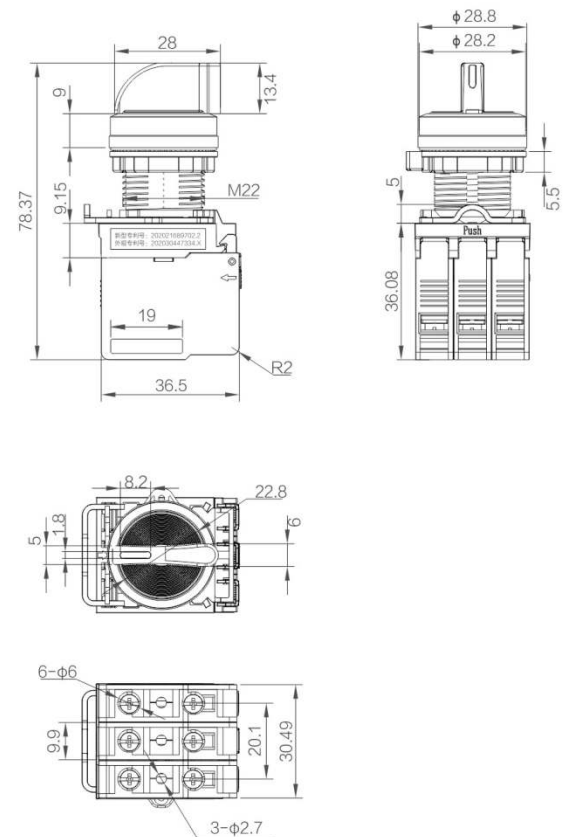
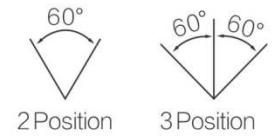
LANBOO

Industrial Control

Fall In Love With Things
Made In China

Characteristic	Contact	Position	Head Material	LED Color	LED Volt
Momentary	1NO	2/3 position Latching	Aluminum oxide	● Red	AC/DC
Latching	1NC		Aluminum oxide	● Green	9-24V
	2NO	2/3 position Momentary	Customize	● Blue	220V
	2NC		Aluminum oxide	● Yellow	Customize
	1NO1NC		Black	○ White	25-48
					110V

Head:18.9g、Middle Frame:7.4g、NO:11.8g、NC:12.3g、LED:10.9g



LB22SA2X1-X ◆■/A (Silver)



Customize black handle



Customize black handle and black head

