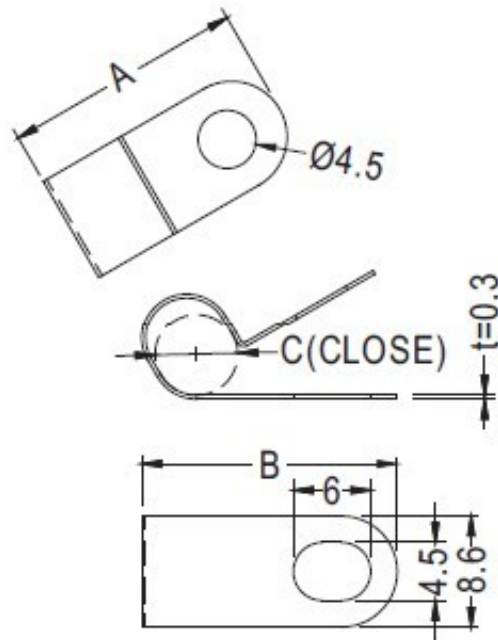


◆ MATERIAL: STAINLESS  
 ◆ UNIT: mm



PART NO	A	B	C	PACKAGE
KTCC-3	17.20	17.60	3.0	1000
KTCC-4	17.20	17.60	4.0	1000
KTCC-5	17.90	18.70	4.8	1000
KTCC-6	18.70	19.80	6.4	1000
KTCC-9	18.65	20.62	9.0	1000