

# Switch

## Micro Switch Series

### KLS7-KW10 Micro Switch Series

Action sensitive subminiature switch

Mini-type, big current. Characteristic: small contact gap, quick action, high sensitivity and small operating travel

Long life

A variety of contact terminals

A variety of levers

Widely used in home appliance, audio video device, computer, office automation equipment, communication equipment, etc.

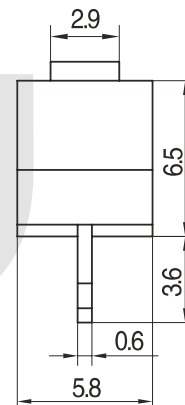
Withstand Voltage : AC250V (50Hz) Min.

Temperature : -40°C~+70°C

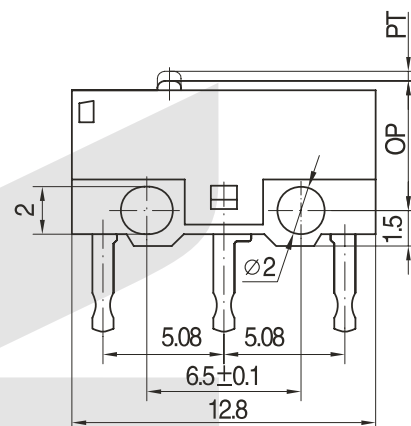
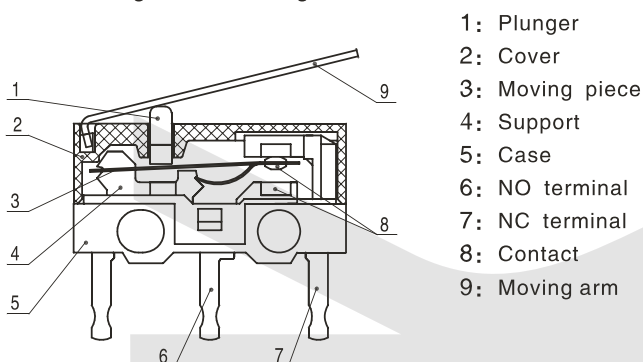


#### Specifications

Item	Value
Operating speed	1mm ~ 500mm/s (Related with actuator forms)
Operating frequency	Mechanical 60 cycles/min; Electrical 25cycles/min
Insulation resistance	≥ 100MΩ (500VDC)
Contact resistance	OF>0.75N: ≤30mΩ (see note) OF≤0.75N: ≤50mΩ (see note) KW10-D、E、F型: ≤100mΩ (見注)
Test voltage	Between terminals of the same polarity
	Between current-carrying metal parts and ground(case), and between each terminal and non-current-carrying metal parts.
Vibration resistance	10 ~ 55Hz, 1.5mm Double amplitude
Shock resistance	Malfunction:300m/s <sup>2</sup> (approx.30G)max
Life expectancy	Mechanical ≥ 1,000,000 cycles Electrical ≥ 10,000cycles
Weight	Approx. 0.6g(No lever)
Safety approvals	UL、CUL、TUV、CE、EK、CQC



#### Internal configuration drawing



## Micro Switch Series

### KLS7-KW10 Micro Switch Series

## ORDER INFORMATION

KLS7-KW10 - X X X X X - (X)

Part Number  
Micro Switch Type

**Rating:**

No mark: 3 (0.5) A250V / 3A125VAC  
 C : 1 (0.5) A250V / 1A125VAC  
 D : 0.5 (0.2) A250V / 0.5A125VAC  
 E : 0.3 (0.1) A250V / 0.3A125VAC  
 F : 0.1 (0.05) A250V / 0.1A125VAC

Additional spec numbers apply to:  
when used not standard parts such  
as not standard terminal  
when customer has particular operating  
value or other require ments.

**Operating frce**  
 045: 0.45N  
 075: 0.75N  
 150: 1.5N  
 160: 1.6N  
 Note: if it is not standard operating force, indicate  
with the upper limit

**Terminal Types**  
 F: Solder terminal  
 G: Long solder terminal  
 P: PCB terminal  
 L: Left side PCB terminal  
 R: Right side PCB terminal  
 S: Self-clinching PCB terminal  
 Y: Not standard terminal

**Actuator forms**  
 0: No lever  
 1: Short lever  
 2: Long lever  
 3: Middle lever  
 5: Roller  
 6: Long arc lever  
 8: Short arc lever  
 □: Not standard lever

	Circuit
Z: SPDT	
T: SPST-NO	
D: SPST-NC	

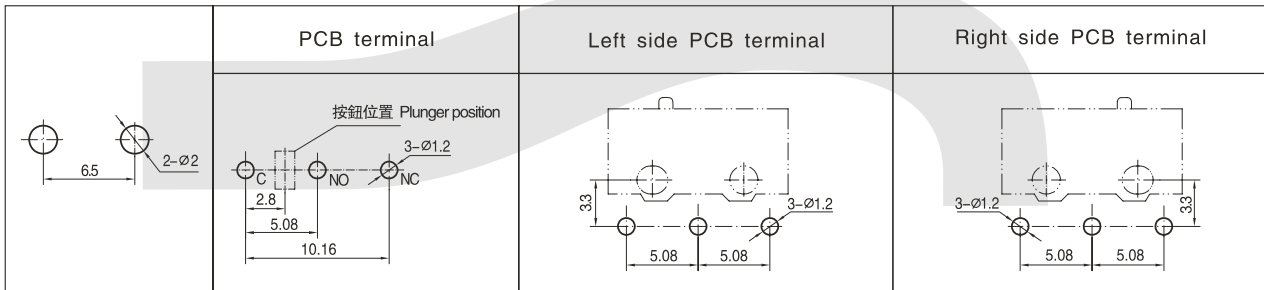
◆ Terminal dimensions

P	G	S	
PCB terminal	Long solder terminal	Self-clinching PCB terminal	
L	R	F	H
Left side PCB terminal	Right side PCB terminal	Solder terminal	Minitype solder terminal

## Micro Switch Series

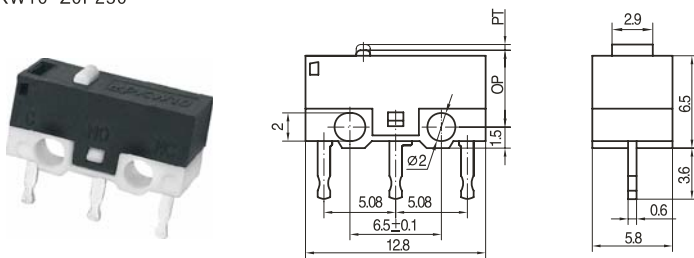
### KLS7-KW10 Micro Switch Series

◆ Mounting hole dimensions



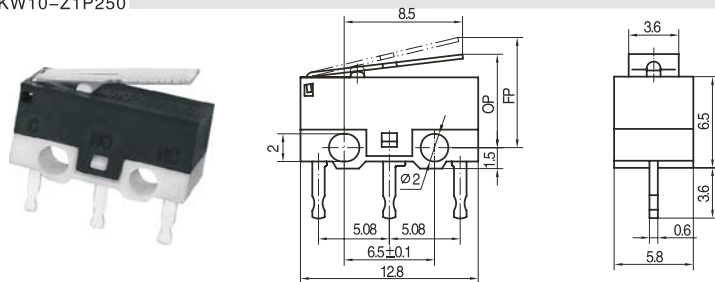
◆ Dimensions and operating characteristics

KW10-Z0P075  
KW10-Z0P150  
KW10-Z0P250



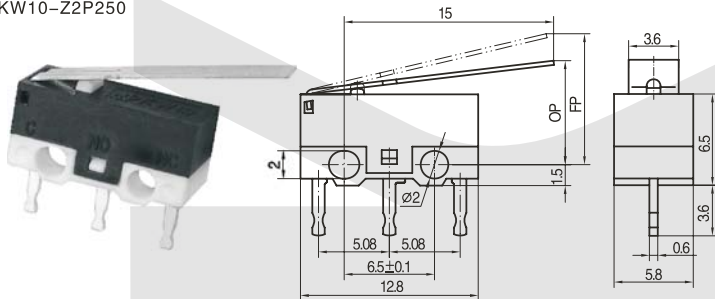
型號 Model	KW10-Z0P075	KW10-Z0P150	KW10-Z0P250
OF Max(N)	0.75	1.50	2.50
RF Min(N)	0.05	0.08	0.40
PT Max(mm)	0.5		
OT Min(mm)	0.2		
MD Max(mm)	0.2		
OP(mm)	5.5 ± 0.3		

KW10-Z1P075  
KW10-Z1P150  
KW10-Z1P250



型號 Model	KW10-Z1P075	KW10-Z1P150	KW10-Z1P250
OF Max(N)	0.26	0.53	0.90
RF Min(N)	0.04	0.08	0.15
OT Min(mm)	0.6		
MD Max(mm)	0.6		
FP Max(mm)	9.0		
OP(mm)	6.7 ± 1		

KW10-Z2P075  
KW10-Z2P150  
KW10-Z2P250

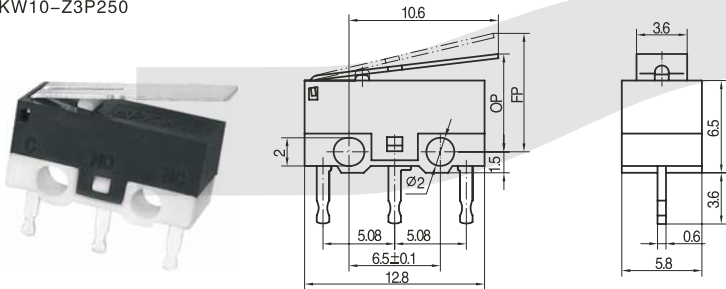


型號 Model	KW10-Z2P075	KW10-Z2P150	KW10-Z2P250
OF Max(N)	0.17	0.33	0.55
RF Min(N)	0.02	0.04	0.08
OT Min(mm)	1.0		
MD Max(mm)	1.0		
FP Max(mm)	10.0		
OP(mm)	7.6 ± 1.5		

## Micro Switch Series

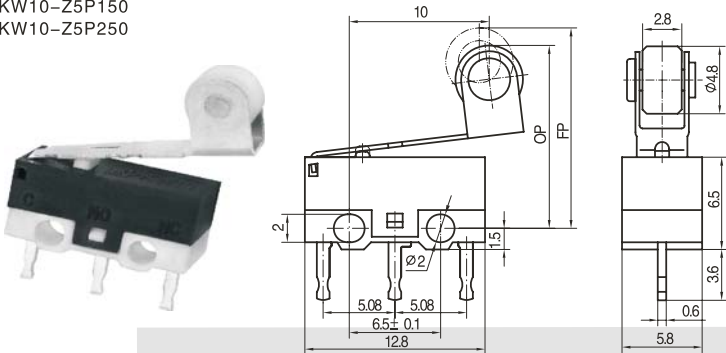
### KLS7-KW10 Micro Switch Series

KW10-Z3P075  
KW10-Z3P150  
KW10-Z3P250



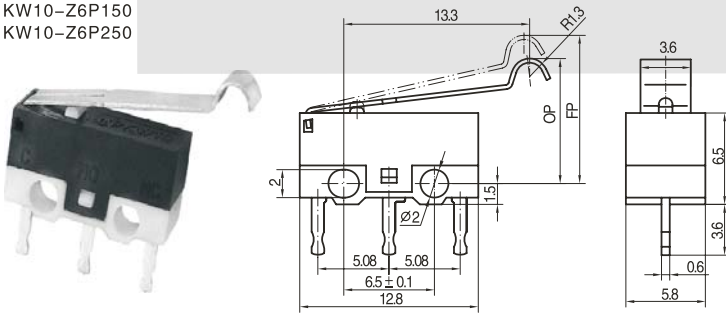
型號 Model	KW10-Z3P075	KW10-Z3P150	KW10-Z3P250
OF Max(N)	0.23	0.45	0.75
RF Min(N)	0.03	0.06	0.12
OT Min(mm)	0.7		
MD Max(mm)	0.7		
FP Max(mm)	9.5		
OP(mm)	7 ± 1.2		

KW10-Z5P075  
KW10-Z5P150  
KW10-Z5P250



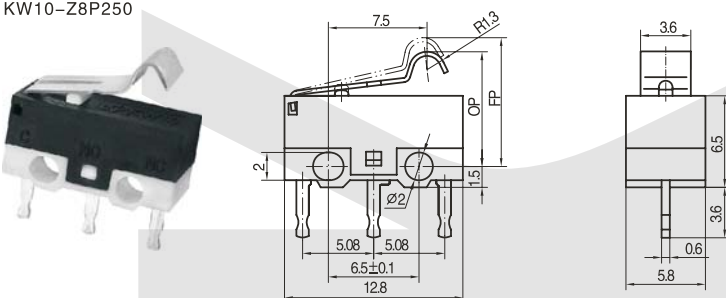
型號 Model	KW10-Z5P075	KW10-Z5P150	KW10-Z5P250
OF Max(N)	0.23	0.46	0.77
RF Min(N)	0.02	0.05	0.10
OT Min(mm)	0.7		
MD Max(mm)	0.7		
FP Max(mm)	16.5		
OP(mm)	13 ± 1.5		

KW10-Z6P075  
KW10-Z6P150  
KW10-Z6P250



型號 Model	KW10-Z6P075	KW10-Z6P150	KW10-Z6P250
OF Max(N)	0.18	0.36	0.60
RF Min(N)	0.02	0.05	0.10
OT Min(mm)	0.9		
MD Max(mm)	0.9		
FP Max(mm)	11.5		
OP(mm)	8.6 ± 1		

KW10-Z8P075  
KW10-Z8P150  
KW10-Z8P250

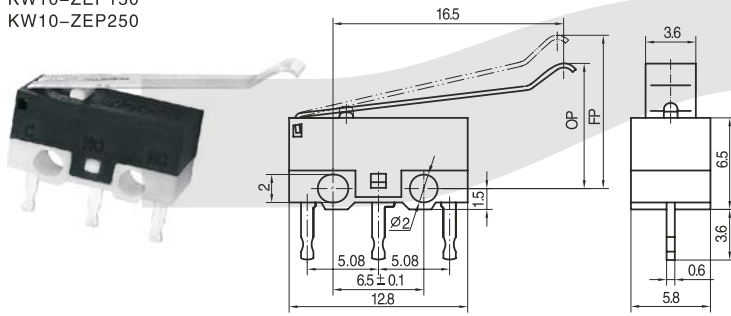


型號 Model	KW10-Z8P075	KW10-Z8P150	KW10-Z8P250
OF Max(N)	0.30	0.60	1.00
RF Min(N)	0.03	0.06	0.12
OT Min(mm)	0.6		
MD Max(mm)	0.6		
FP Max(mm)	10.5		
OP(mm)	8.6 ± 1		

## Micro Switch Series

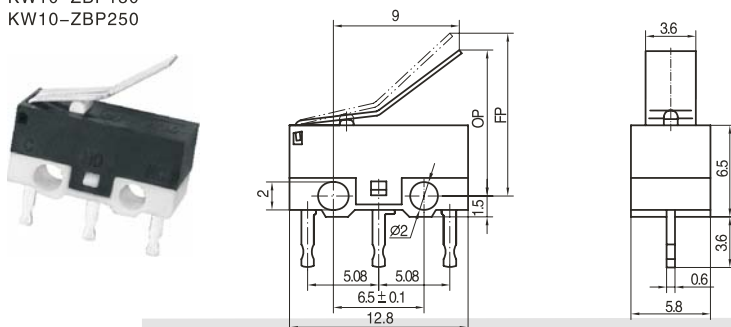
### KLS7-KW10 Micro Switch Series

KW10-ZEP075  
KW10-ZEP150  
KW10-ZEP250



型號 Model	KW10-ZEP075	KW10-ZEP150	KW10-ZEP250
OF Max(N)	0.15	0.30	0.50
RF Min(N)	0.02	0.05	0.10
OT Min(mm)	1.1		
MD Max(mm)	1.0		
FP Max(mm)	11.5		
OP(mm)	8.5 ± 1.5		

KW10-ZBP075  
KW10-ZBP150  
KW10-ZBP250



型號 Model	KW10-ZBP075	KW10-ZBP150	KW10-ZBP250
OF Max(N)	0.25	0.50	0.80
RF Min(N)	0.02	0.05	0.10
OT Min(mm)	0.6		
MD Max(mm)	0.6		
FP Max(mm)	12.5		
OP(mm)	10.5 ± 1.5		