

Connector

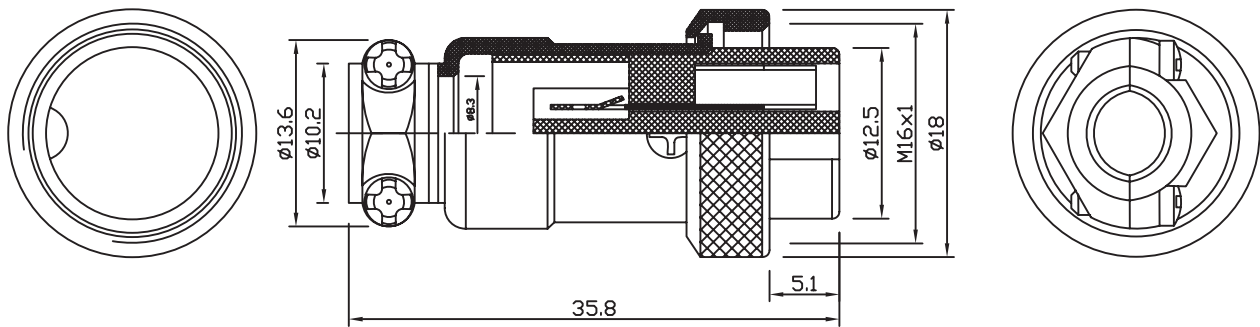
connectors industrial circular Series

KLS15-225-M16 Connectors Industrial Circular Series

Safety approval : UL Water proof IP≥55
Subminiature aviation linkers are widely used for the Hi-Tech trade. The appearances of the products has two kinds, plug-type and thread type. Used in the installation of the panel, small, exquisite and sensitive. It's nickel-plated and easy to plug-in.

Electrical Characteristics:

- Rated current: 2-4P: 7A
- 5P: 5A
- 6-10P:4A
- Rated Voltage:125V
- Operation Voltage: 200 VAC
- Withstanding Voltage :1500 VAC
- Insulation resistance :2000MΩ DC 500V
- Contact resistance: 10 mΩ DC1A
- Solder cup mouth diameter: 2□4P: 1.6 mm
- 5P: 1.2 mm
- 6□10P: 0.9 mm
- Solder diameter: 2-4P: 2.45 mm
- 5P: 2 mm
- 6-10P: 1.15 mm



ORDER INFORMATION

Product No.: KLS15-225-M16-2 F1

Pos. No. _____
Dental regulations: M16 _____
Number of Contacts: 2, 3, 4, 5, 6, 7, 8, 9, 10P _____

TYPE Ordering

2P	3P	4P	5P	6P
7P	8P	9P	10P	



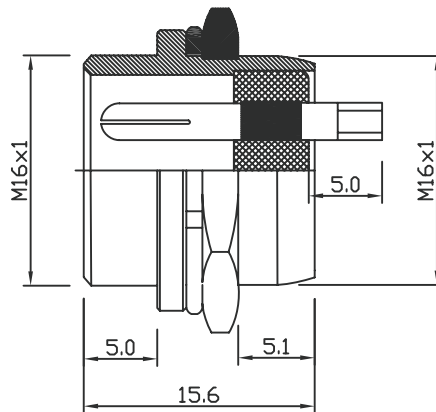
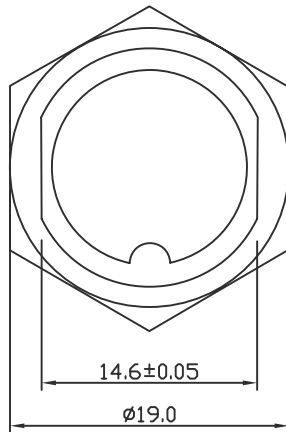
connectors industrial circular Series

KLS15-225-M16 Connectors Industrial Circular Series

Safety approval : UL Water proof IP≥55
Subminiature aviation linkers are widely used for the Hi-Tech trade. The appearances of the products has two kinds, plug-type and thread type. Used in the installation of the panel, small, exquisite and sensitive. It's nickel-plated and easy to plug-in.

Electrical Characteristics:

- Rated current: 2□4P: 7A
- 5P: 5A
- 6□10P:4A
- Rated Voltage:125V
- Operation Voltage: 200 VAC
- Withstanding Voltage :1500 VAC
- Insulation resistance :2000MΩ DC 500V
- Contact resistance: 10 mΩ DC1A
- Solder cup mouth diameter: 2□4P: 1.6 mm
- 5P: 1.2 mm
- 6□10P: 0.9 mm
- Solder diameter: 2□4P: 2.45 mm
- 5P: 2 mm
- 6□10P: 1.15 mm



ORDER INFORMATION

Product No.: KLS15-225-M16-2 M1

Pos. No. _____
Dental regulations: M16 _____
Number of Contacts: 2, 3, 4, 5, 6, 7, 8, 9, 10P

2P	3P	4P	5P	6P
7P	8P	9P	10P	

TYPE Ordering

