

Wire To Board Connectors

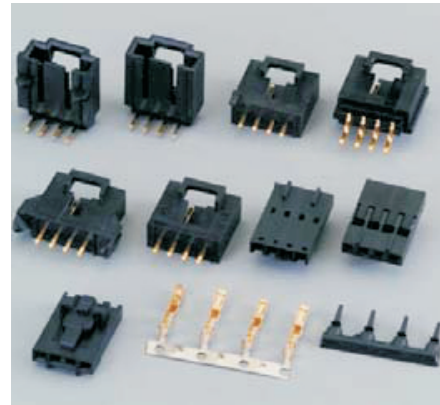
KLS1-XL2-2.54 Male Terminal

Electrical Specification:

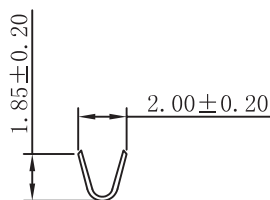
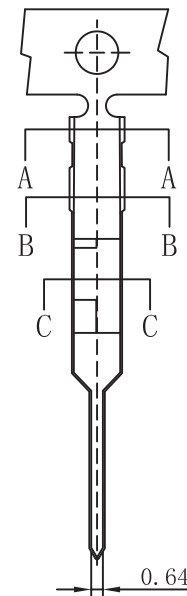
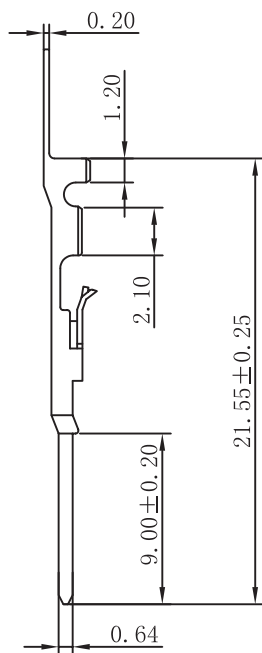
Rated Voltage: 250V AV.DC
 Rated Current: 3A
 Contact Resistance: 10mΩ Max.
 Insulation Resistance: 1000MΩ Max.
 Withstand voltage: 1000V AC/Min
 Temperature range for usage: -25°C~+85°C

Material:

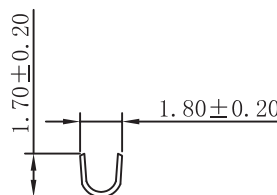
Contacts: Phosphor Bronze or Brass
 Finish: Tin plated
 Wire range : AWG#26~#22



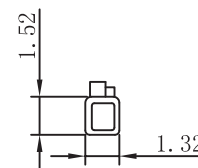
I



SEC A-A



SEC B-B



SEC C-C

ORDER INFORMATION

Product NO.: KLS1-XL2-2.54-MT

Series No.

Pitch: 2.54=2.54mm

Type:

MT=Male Terminal

MH=Male Housing

S=Straight pin

RW=Right pin With Post

FT=Female Terminal

FH=Female Housing

R=Right pin

RT=Horizontal SMT With Post

Wire To Board Connectors

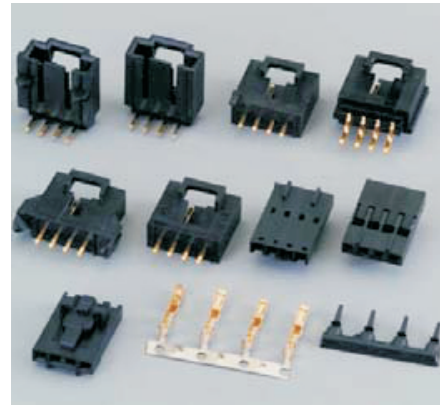
KLS1-XL2-2.54 Female Terminal

Electrical Specification:

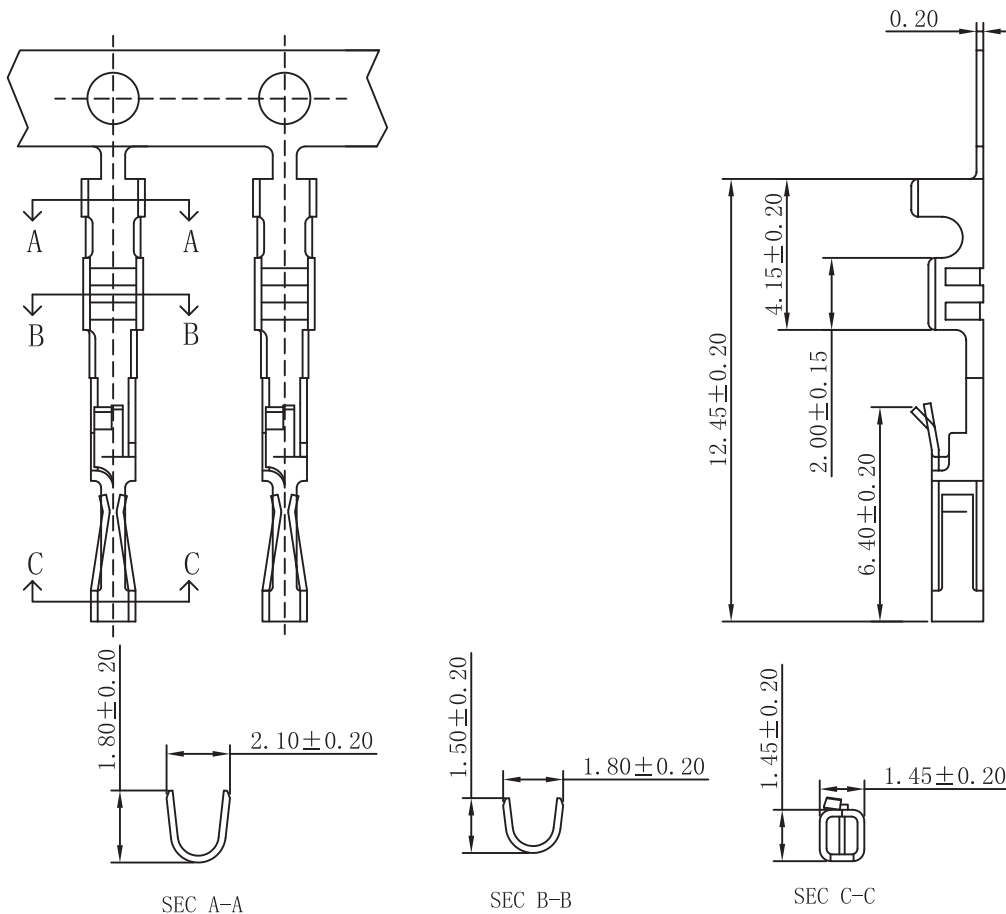
Rated Voltage: 250V AV.DC
 Rated Current: 3A
 Contact Resistance: 10mΩ Max.
 Insulation Resistance: 1000MΩ Min.
 Withstand voltage: 1000V AC/Min
 Temperature range for usage: -25°C~+85°C

Material:

Contacts: Phosphor Bronze or Brass
 Finish: Tin plated
 Wire range : AWG#26~#22



I



ORDER INFORMATION

Product NO.: KLS1-XL2-2.54-FT

Series No. _____

Pitch: 2.54=2.54mm _____

Type:

MT=Male Terminal

MH=Male Housing

S=Straight pin

RW=Right pin With Post

FT=Female Terminal

FH=Female Housing

R=Right pin

RT=Horizontal SMT With Post

Wire To Board Connectors

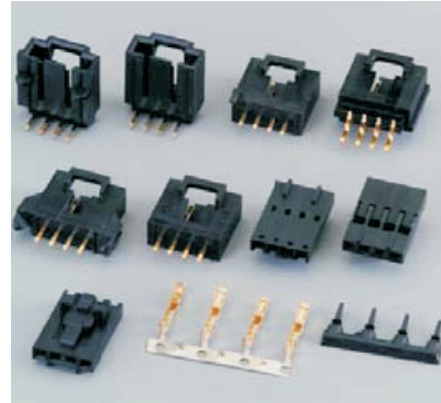
KLS1-XL2-2.54 2.54mm Pitch Male Housing

Electrical Specification:

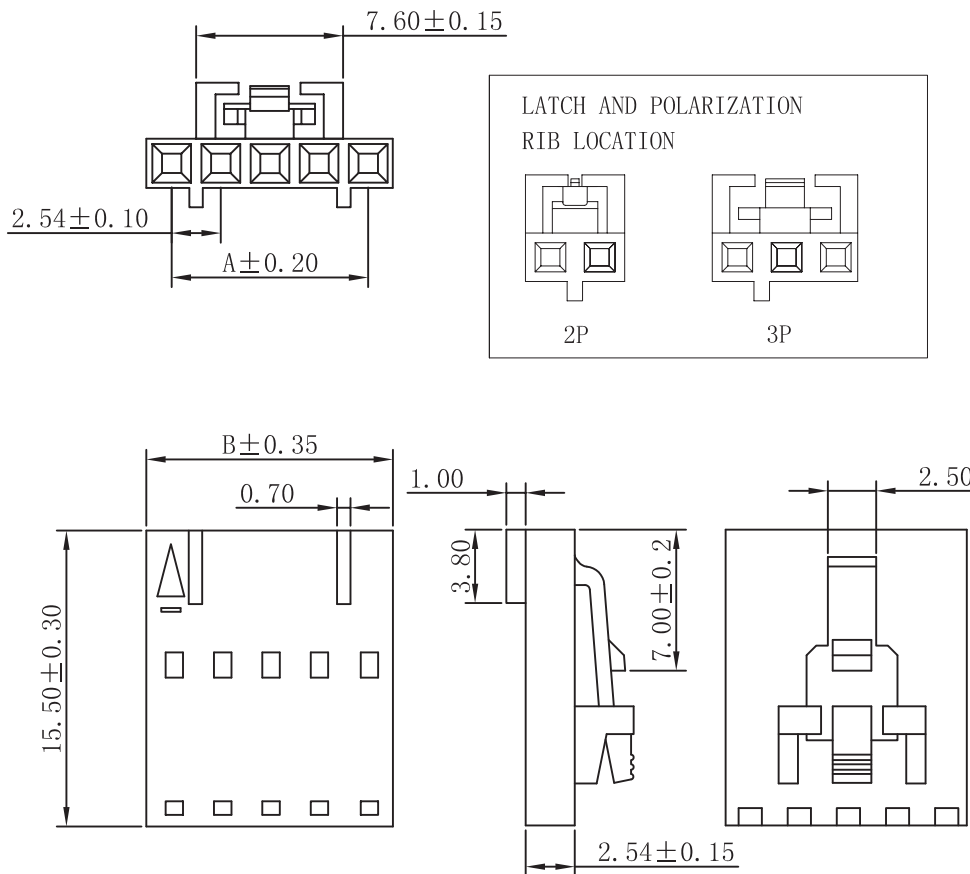
Rated Voltage: 150V AV.DC
 Rated Current: 3A
 Contact Resistance: 10mΩ Max.
 Insulation Resistance: 500MΩ Min.
 Withstand voltage: 1000V AC/Min
 Temperature range for usage: -25°C~+85°C

Material:

Housing: Nylon 66 UL 94V-0 +15% GF



I



PART NO.	Dimensions (mm)	
	A	B
02P	2.54	5.08
03P	5.08	7.62
04P	7.62	10.16
05P	10.16	12.70
06P	12.70	15.24
07P	15.24	17.78
08P	17.78	20.32
09P	20.32	22.86
10P	22.86	25.40
11P	25.40	27.94
12P	27.94	30.48
13P	30.48	33.02
14P	33.02	35.56
15P	35.56	38.10
16P	38.10	40.64
17P	40.64	43.18
18P	43.18	45.72
19P	45.72	48.26
20P	48.26	50.80

ORDER INFORMATION

Product NO.: KLS1-XL2-2.54-02-MH

Series No. _____
 Pitch: 2.54=2.54mm _____
 PIN Number: 2~20pin _____

Type:
 MT=Male Terminal
 MH=Male Housing
 S=Straight pin
 RW=Right pin With Post

FT=Female Terminal
 FH=Female Housing
 R=Right pin
 RT=Horizontal SMT With Post

Wire To Board Connectors

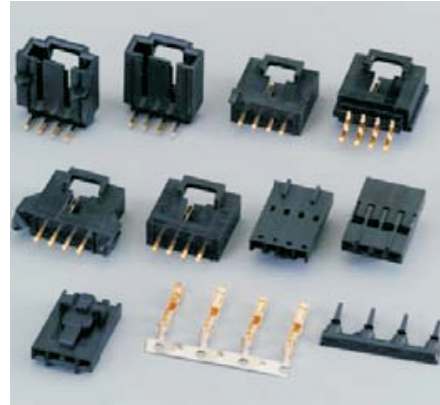
KLS1-XL2-2.54 2.54mm Pitch Female Housing

Electrical Specification:

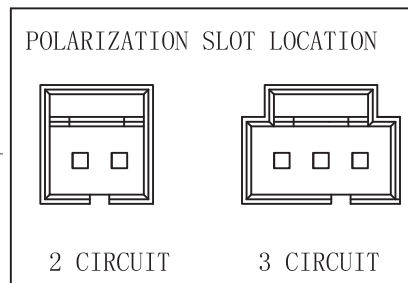
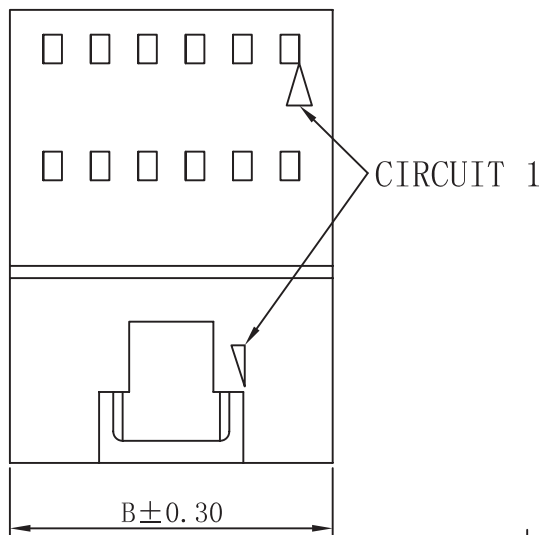
Rated Voltage:250V AV.DC
Rated Current:3A
Contact Resistance:20mΩ Max.
Insulation Resistance:1000MΩ Min.
Withstand voltage:1500V AC/Min
Temperature range for usage: -25°C~+85°C

Material:

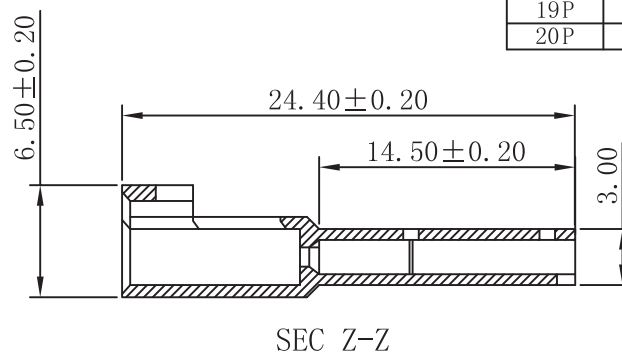
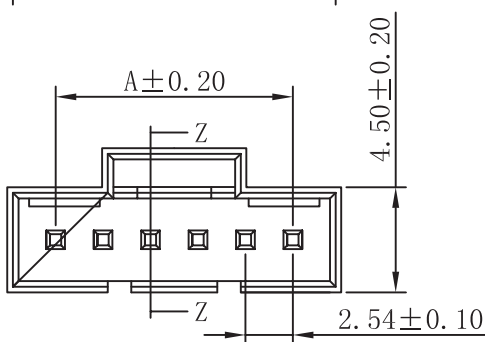
Housing:Nylon 66 UL 94V-0 +15% GF



I



PART NO	Dimensions (mm)	
	A	B
02P	2.54	7.12
03P	5.08	9.66
04P	7.62	12.20
05P	10.16	14.74
06P	12.70	17.28
07P	15.24	19.82
08P	17.78	22.36
09P	20.32	24.90
10P	22.86	27.44
11P	25.40	29.98
12P	27.94	32.52
13P	30.48	35.06
14P	33.02	37.60
15P	35.56	40.14
16P	38.10	42.68
17P	40.64	45.22
18P	43.18	47.76
19P	45.72	50.30
20P	48.26	52.84



ORDER INFORMATION

Product NO.: KLS1-XL2-2.54-02-FH

Series No. _____
Pitch: 2.54=2.54mm _____
PIN Number: 2~20pin _____

Type:
MT=Male Terminal
MH=Male Housing
S=Straight pin
RW=Right pin With Post

FT=Female Terminal
FH=Female Housing
R=Right pin
RT=Horizontal SMT With Post

Wire To Board Connectors

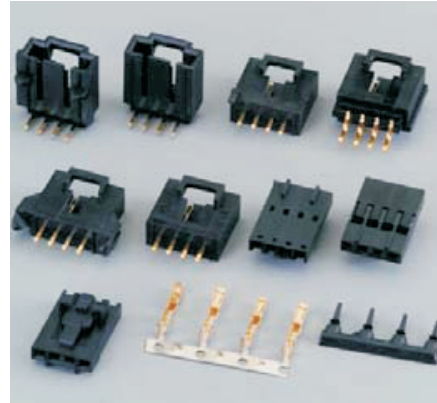
KLS1-XL2-2.54 2.54mm Pitch Straight pin

Electrical Specification:

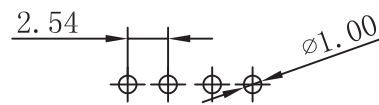
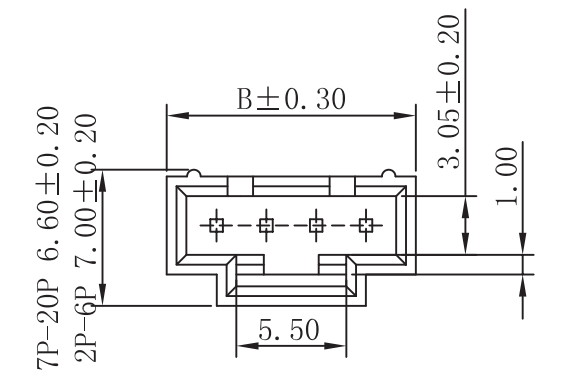
Rated Voltage: 250V AV.DC
 Rated Current: 3A
 Contact Resistance: 20mΩ Max.
 Insulation Resistance: 1000MΩ Min.
 Withstand voltage: 1500V AC/Min
 Temperature range for usage: -25°C~+85°C

Material:

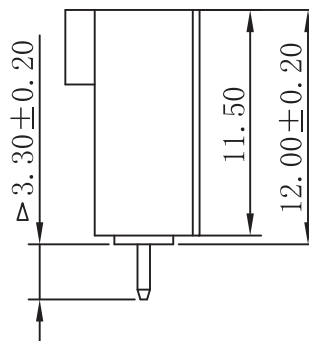
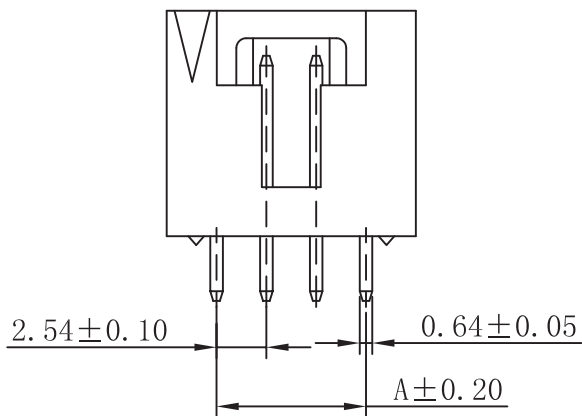
Housing: Nylon 66 UL 94V-0 +GF15%
 Contacts: Brass/Gold-flash



I



P. C. B LAYOUT



PART NO.	Dimensions (mm)	
	A	B
02P	2.54	7.62
03P	5.08	10.16
04P	7.62	12.70
05P	10.16	15.24
06P	12.70	17.78
07P	15.24	20.32
08P	17.78	22.86
09P	20.32	25.40
10P	22.86	27.94
11P	25.40	30.48
12P	27.94	33.02
13P	30.48	35.56
14P	33.02	38.10
15P	35.56	40.64
16P	38.10	43.18
17P	40.64	45.72
18P	43.18	48.26
19P	45.72	50.80
20P	48.26	53.34

ORDER INFORMATION

Product NO.: KLS1-XL2-2.54-02-S

Series No.
 Pitch: 2.54=2.54mm
 PIN Number: 2~20pin

Type:
 MT=Male Terminal
 MH:Male Housing
 S=Straight pin
 RW=Right pin With Post

FT=Female Terminal
 FH=Female Housing
 R=Right pin
 RT=Horizontal SMT With Post

Wire To Board Connectors

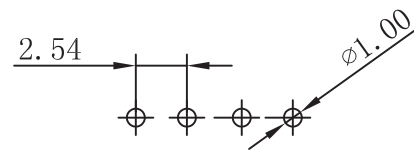
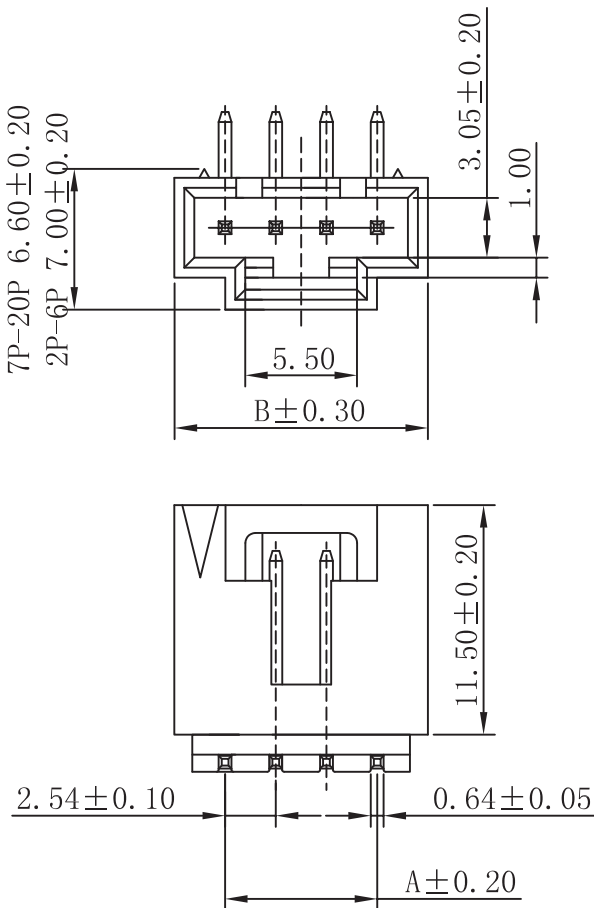
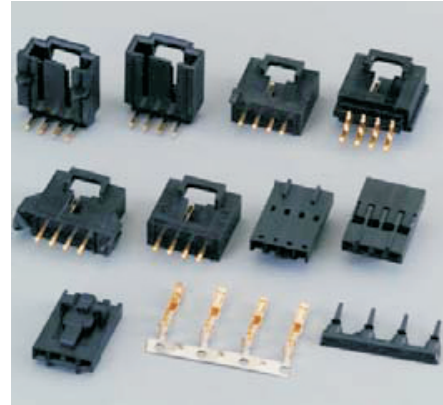
KLS1-XL2-2.54 2.54mm Pitch Right pin

Electrical Specification:

Rated Voltage: 250V AV.DC
 Rated Current: 3A
 Contact Resistance: 20mΩ Max.
 Insulation Resistance: 1000MΩ Min.
 Withstand voltage: 1500V AC/Min
 Temperature range for usage: -25°C~+85°C

Material:

Housing: Nylon 66 UL 94V-0 +GF15%
 Contacts: Brass/Gold-flash



P. C. B LAYOUT

PART NO.	Dimensions (mm)	
	A	B
02P	2.54	7.62
03P	5.08	10.16
04P	7.62	12.70
05P	10.16	15.24
06P	12.70	17.78
07P	15.24	20.32
08P	17.78	22.86
09P	20.32	25.40
10P	22.86	27.94
11P	25.40	30.48
12P	27.94	33.02
13P	30.48	35.56
14P	33.02	38.10
15P	35.56	40.64
16P	38.10	43.18
17P	40.64	45.72
18P	43.18	48.26
19P	45.72	50.80
20P	48.26	53.34

ORDER INFORMATION

Product NO.: KLS1-XL2-2.54-02-R

Series No. _____
 Pitch: 2.54=2.54mm _____
 PIN Number: 2~20pin _____
 Type: MT=Male Terminal, MH:Male Housing, S=Straight pin, RW=Right pin With Post
 FT=Female Terminal, FH=Female Housing, R=Right pin, RT=Horizontal SMT With Post

Wire To Board Connectors

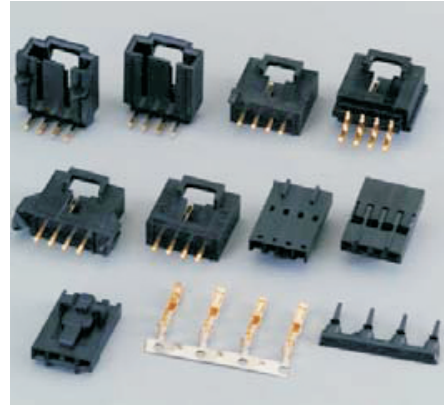
KLS1-XL2-2.54 2.54mm Pitch Right pin With Post

Electrical Specification:

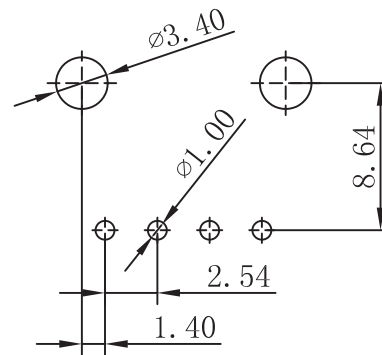
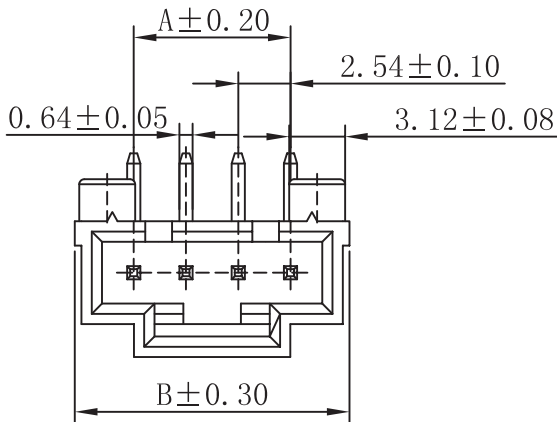
Rated Voltage:250V AV.DC
Rated Current:3A
Contact Resistance:20mΩ Max.
Insulation Resistance:1000MΩ Min.
Withstand voltage:1500V AC/Min
Temperature range for usage: -25°C~+85°C

Material:

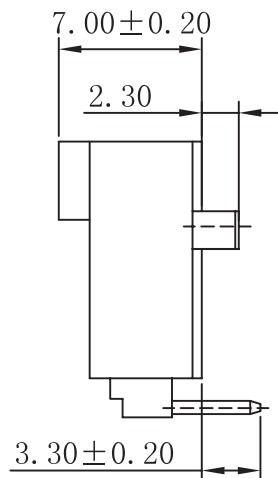
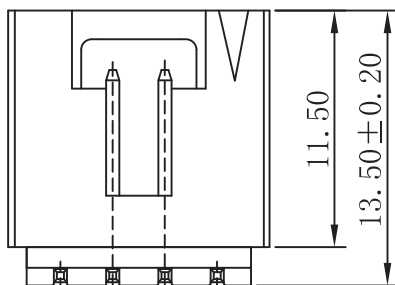
Housing:PA9T UL94V-0
Contacts: Brass/Gold-flash



I



P. C. B LAYOUT



PART NO.	Dimensions (mm)	
	A	B
02P	2.54	8.53
03P	5.08	11.07
04P	7.62	13.61
05P	10.16	16.15
06P	12.70	18.69
07P	15.24	21.23
08P	17.78	23.77
09P	20.32	26.31
10P	22.86	28.85
11P	25.40	31.39
12P	27.94	33.93

ORDER INFORMATION

Product NO.: KLS1-XL2-2.54-02-RW

Series No. _____
Pitch: 2.54=2.54mm _____
PIN Number: 2~20pin _____

Type:
MT=Male Terminal
MH=Male Housing
S=Straight pin
RW=Right pin With Post

FT=Female Terminal
FH=Female Housing
R=Right pin
RT=Horizontal SMT With Post

Wire To Board Connectors

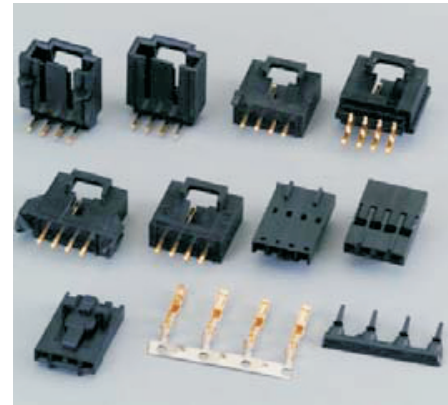
KLS1-XL2-2.54 2.54mm Pitch Horizontal SMT With Post

Electrical Specification:

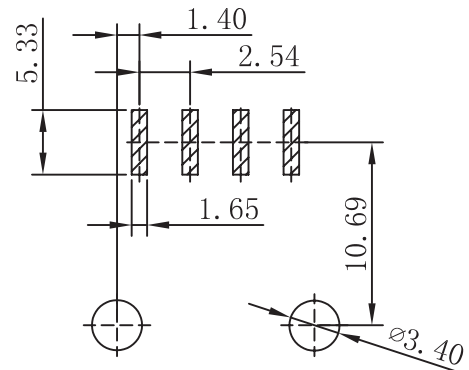
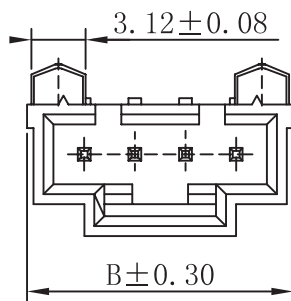
Rated Voltage:250V AV.DC
Rated Current:3A
Contact Resistance:20mΩ Max.
Insulation Resistance:1000MΩ Min.
Withstand voltage:1500V AC/Min
Temperature range for usage: -25°C~+85°C

Material:

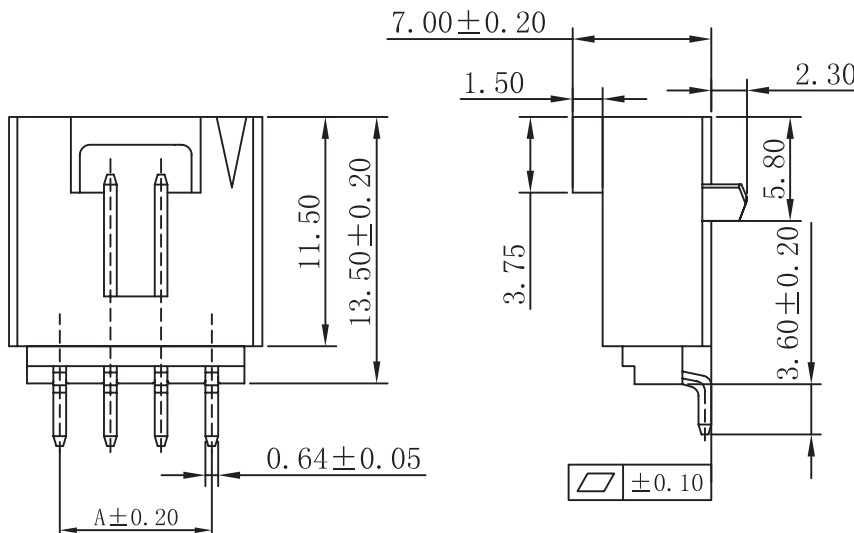
Housing:PA9T UL94V-0
Contacts: Brass/Gold-flash



I



P. C. B LAYOUT



PART NO.	Dimensions (mm)	
	A	B
02P	2.54	8.53
03P	5.08	11.07
04P	7.62	13.61
05P	10.16	16.15
06P	12.70	18.69
07P	15.24	21.23
08P	17.78	23.77
09P	20.32	26.31
10P	22.86	28.85
11P	25.40	31.39
12P	27.94	33.93

ORDER INFORMATION

Product NO.: KLS1-XL2-2.54-02-RT

Series No. _____
Pitch: 2.54=2.54mm _____
PIN Number: 2~20pin _____

Type:
MT=Male Terminal
MH=Male Housing
S=Straight pin
RW=Right pin With Post

FT=Female Terminal
FH=Female Housing
R=Right pin
RT=Horizontal SMT With Post