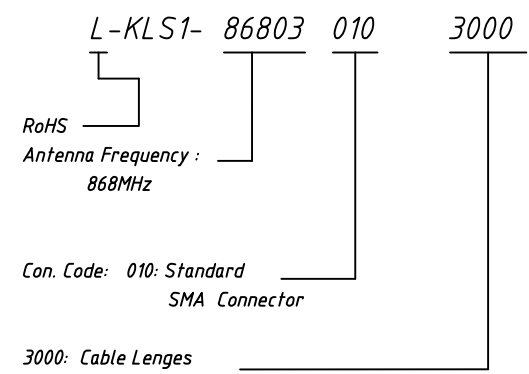


Specification:
 Frequency : 868±20MHz
 Gain : 2dBi
 Vswr : 2.0 Max.
 Impedance : 50 Ω
 Polarization : Vertical
 Radiation : OMNIDIRECTIONAL
 Max power : 50W
 Shell material : PVC
 Size: Ø29.5x109mm
 Connector : SMA
 Cable: RG174, Black
 Length:3000mm
 Lightning protection: DC Grounding
 Operating Temperature : -30°C to +70°C

Order Information



GENERAL TOLERANCE	ANGLE TOLERANCE	PROJECTION	Description:
X. ±0.60	X. ±5°	UNITS	868 Antenna with Magnet
.X ±0.38	.X ±3°	SHEET SIZE	
.XX ±0.25	.XX ±2°	KLS P/N:	

Draw: Daniel	2018-10-08
Check : Daniel	2018-10-08
SCALE	SHEET OF

KLS ELECTRONIC CO., LTD.