

Parameters:

Name: Ship type switch

Model: KCD3

Electrical life: 10,000 times or more

Product power: 2000W

Rated current: 15A/20A

Rated voltage: 125V/250V

Contact resistance: less than or equal to 50mΩ

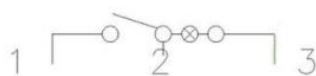
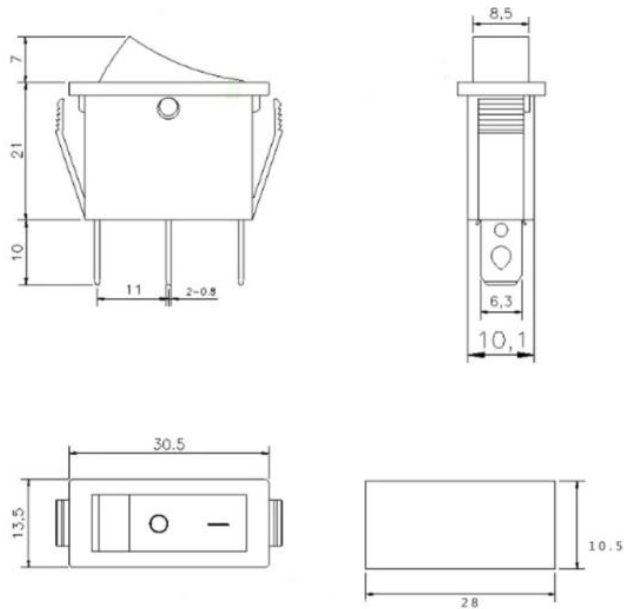
Insulation resistance: 100mΩ or more

Dielectric strength: 1500V AC/1min or more

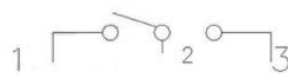
Material: flame retardant shell steel foot silver point

Product range:

Rocker switches are used in water dispensers, treadmills, computer speakers, battery cars, motorcycles, massage machines, toy cars, and some electronic equipment power switches



2 Position 3 Pin with light



2 Position 3 Pin without light



3 Position 3 Pin without light