



# KBU15005 THRU KBU1510

Reverse Voltage - 50 to 1000 Volts Forward Current - 15.0 Amperes

## SILICON BRIDGE RECTIFIERS

### Features

- ◆ Ideal for printed circuit board
- ◆ Reliable low cost construction utilizing molded plastic technique
- ◆ Plastic material has U/L flammability classification 94V-0
- ◆ High temperature soldering guaranteed:  
260°C/10 seconds, 0.375" (9.5mm) lead length,  
5 lbs. (2.3kg) tension

### Mechanical Data

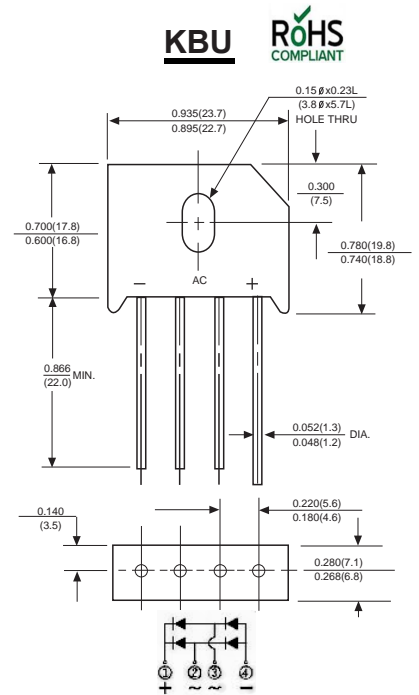
**Case** : JEDEC KBU Molded plastic body

**Terminals** : Solder plated, solderable per MIL-STD-750, Method 2026

**Polarity** : Polarity symbol marking on body

**Mounting Position** : Any

**Weight** : 0.27ounce, 7.59grams



Dimensions in inches and (millimeters)

### Maximum Ratings And Electrical Characteristics

Ratings at 25°C ambient temperature unless otherwise specified.

Single phase half-wave 60Hz, resistive or inductive load, for capacitive load current derate by 20%.

Parameter	SYMBOLS	MDD	MDD	MDD	MDD	MDD	MDD	MDD	UNITS
		KBU15005	KBU1501	KBU1502	KBU1504	KBU1506	KBU1508	KBU1510	
Marking Code									
Maximum repetitive peak reverse voltage	$V_{RRM}$	50	100	200	400	600	800	1000	V
Maximum RMS voltage	$V_{RMS}$	35	70	140	280	420	560	700	V
Maximum DC blocking voltage	$V_{DC}$	50	100	200	400	600	800	1000	V
Maximum average forward output rectified current at $T_c=50$ C (Note 1)	$I_{AV}$	15							A
Peak forward surge current 8.3ms single half sine-wave superimposed on rated load (JEDEC Method)	$I_{FSM}$	300							A
Maximum instantaneous forward voltage drop per bridge element at 6.0A	$V_F$	1.0							V
Maximum DC reverse current at rated DC blocking voltage	$I_R$	$T_A=25^\circ\text{C}$ 10							$\mu\text{A}$
		$T_A=125^\circ\text{C}$ 0.5							mA
Operating junction temperature range	$T_J$	-55 to +150							$^\circ\text{C}$
storage temperature range	$T_{STG}$	-55 to +150							$^\circ\text{C}$

NOTES:

1. Device mounted on 100mm\*100mm\*1.6mm Cu plate heatsink



# KBU15005 THRU KBU1510

Reverse Voltage - 50 to 1000 Volts Forward Current - 15.0 Amperes

## Ratings And Characteristic Curves

FIG.1-MAXIMUM FORWARD SURGE CURRENT

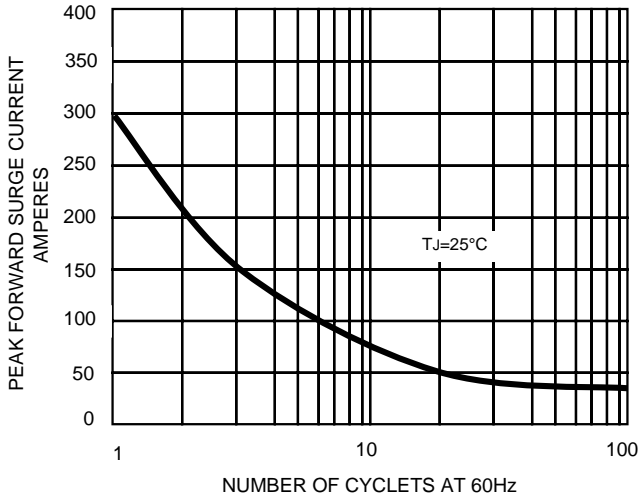


FIG. 2 – DERATING CURVE OUTPUT RECTIFIED CURRENT

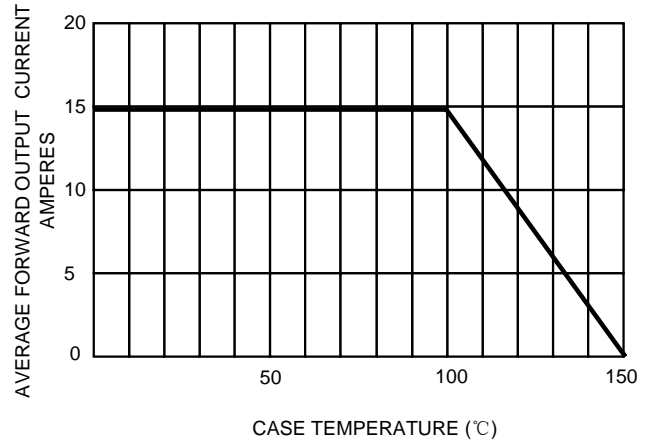


FIG.3- TYPICAL FORWARD CHARACTERISTICS

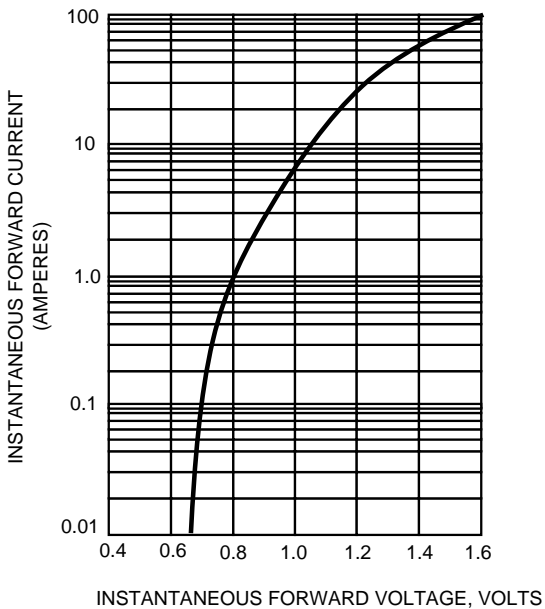
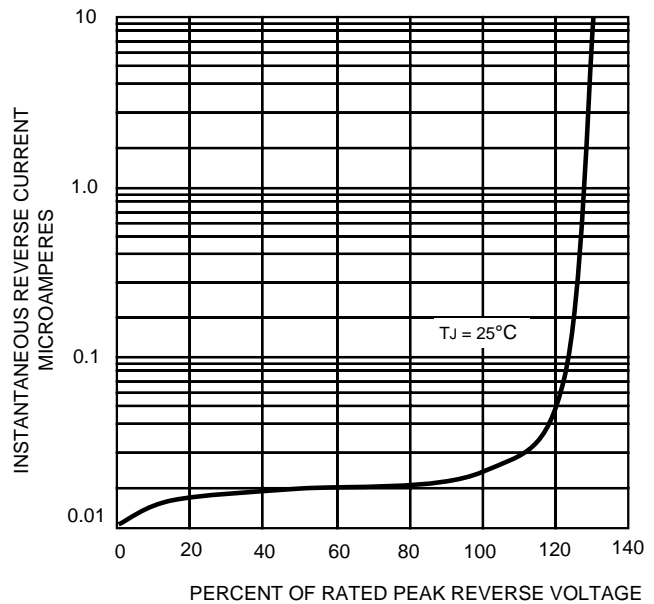


FIG.4- TYPICAL REVERSE CHARACTERISTICS



The curve above is for reference only.