



KBPC50005W THRU KBPC5010W

Reverse Voltage - 50 to 1000 Volts Forward Current -35.0 Amperes

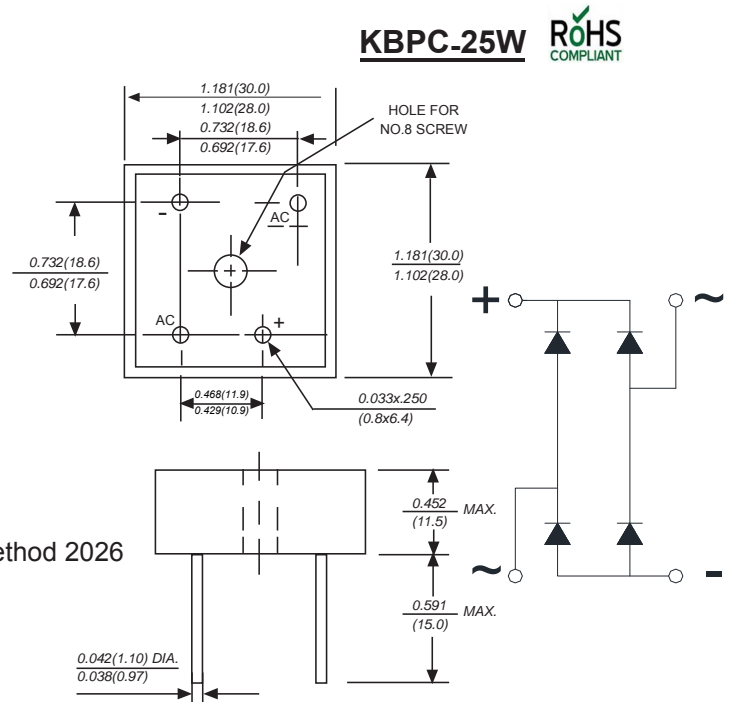
SILICON BRIDGE RECTIFIERS

Features

- ◆ The plastic package carries Underwriters Laboratory Flammability Classification 94V-0
- ◆ Ideal for printed circuit boards
- ◆ Low reverse leakage
- ◆ High forward surge current capability
- ◆ High temperature soldering guaranteed: 260°C/10 seconds, 5 lbs. (2.3kg) tension

Mechanical Data

Case : JEDEC KBPC-25W Molded plastic body
Terminals : Solder plated, solderable per MIL-STD-750, Method 2026
Polarity : Polarity symbol marking on body
Mounting Position : Any
Weight : 0.93 ounce, 26.4 grams



Dimensions in inches and (millimeters)

Maximum Ratings And Electrical Characteristics

Ratings at 25°C ambient temperature unless otherwise specified.

Single phase half-wave 60Hz, resistive or inductive load, for capacitive load current derate by 20%.

Parameter	SYMBOLS	MDD	MDD	MDD	MDD	MDD	MDD	MDD	UNITS
		KBPC50005W	KBPC5001W	KBPC5002W	KBPC5004W	KBPC5006W	KBPC5008W	KBPC5010W	
Marking Code									
Maximum repetitive peak reverse voltage	V_{RRM}	50	100	200	400	600	800	1000	V
Maximum RMS voltage	V_{RMS}	30	70	140	280	420	560	700	V
Maximum DC blocking voltage	V_{DC}	50	100	200	400	600	800	1000	V
Maximum average forward output rectified current at $T_c=55^\circ\text{C}$ (Note 1)	$I_{(AV)}$	50.0							A
Peak forward surge current 8.3ms single half sine-wave superimposed on rated load (JEDEC Method)	I_{FSM}	400							A
Rating for Fusing ($t < 8.3\text{ms}$)	I^2t	664							A^2s
Maximum instantaneous forward voltage drop per bridge element at 25A	V_F	1.1							V
Maximum DC reverse current at rated DC blocking voltage	I_R	$T_A=25^\circ\text{C}$							μA
		$T_A=100^\circ\text{C}$							mA
Isolation voltage from case to leads	V_{IOS}	2500							V_{AC}
Typical Thermal Resistance (Note 2)	$R_{\theta JA}$	2.0							$^\circ\text{C/W}$
Operating junction temperature range	T_J	-65 to +150							$^\circ\text{C}$
storage temperature range	T_{STG}	-65 to +150							$^\circ\text{C}$

1. Unit mounted on 9" x 3.5" x 4.6" thick (23cm x 9cm x 11.8cm) Al. plate.
2. Bolt down on heat-sink with silicone thermal compound between bridge and mounting surface for maximum heat transfer efficiency with #8 screw.



KBPC50005W THRU KBPC5010W

Reverse Voltage - 50 to 1000 Volts Forward Current -35.0 Amperes

Ratings And Characteristic Curves

Fig. 1 Derating Curve for Output Rectified Current

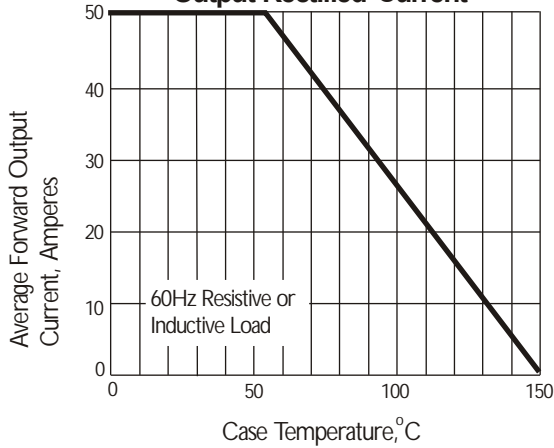


Fig. 2 Maximum Non-repetitive Peak Forward Surge Current

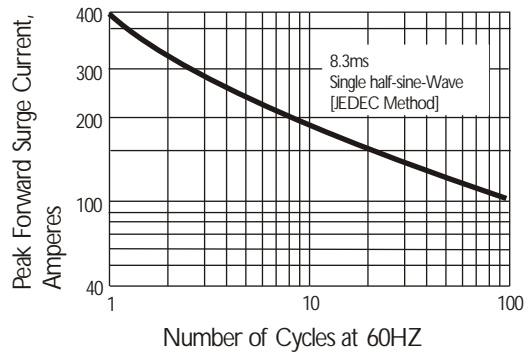


Fig. 3 Typical Instantaneous Forward Characteristics

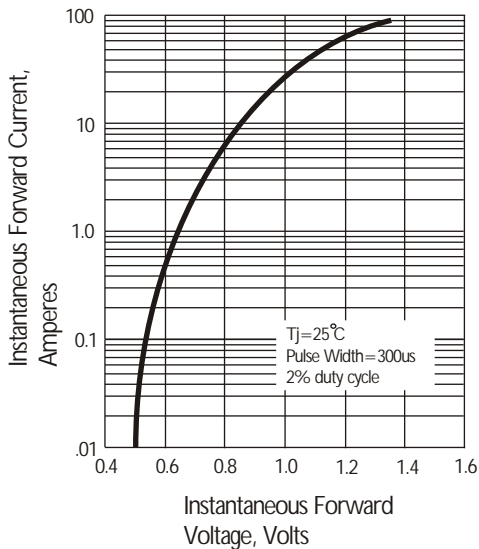
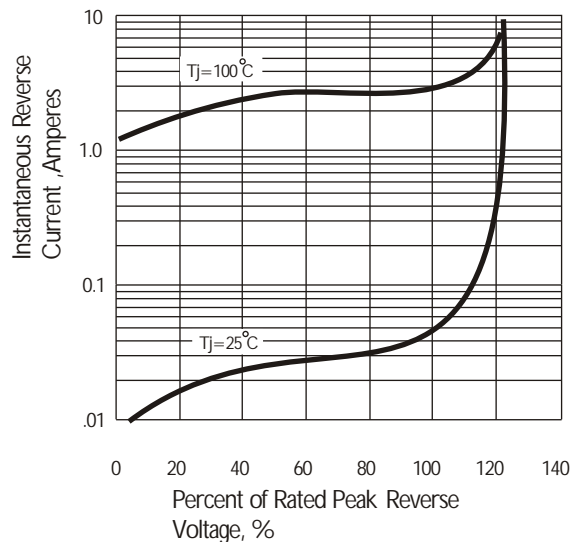


Fig. 4 Typical Reverse Characteristics at Tj=25°C



The curve above is for reference only.