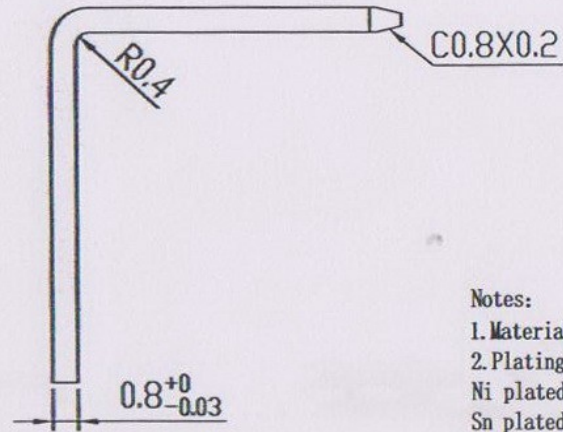
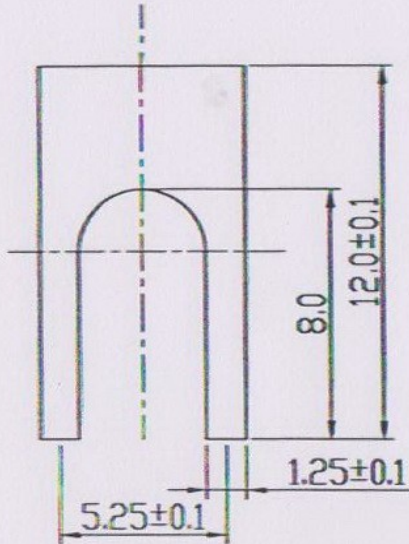


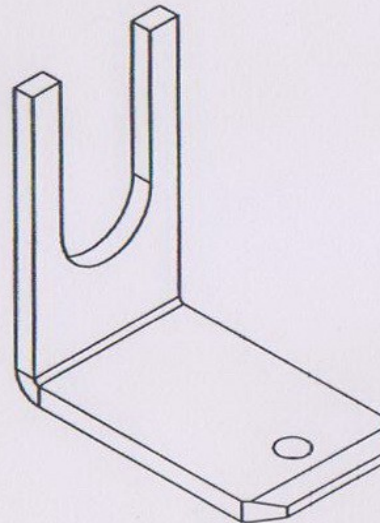
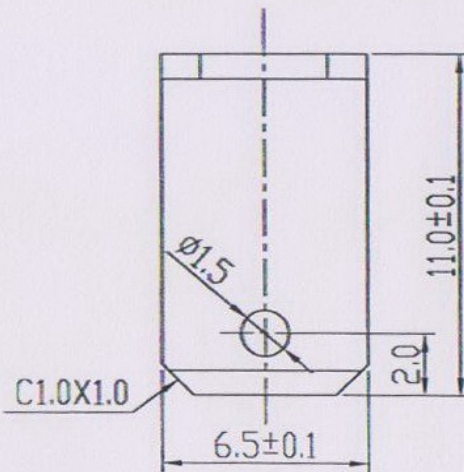
REVISION RECORD				
REV	ECD	DESCRIPTION	DRFT	DATE



Notes:

1. Material: H62 H/2, T=0.8mm;
2. Plating: Cu plated at the bottom is more than 2um; Ni plated on the surface is more than 2um; Sn plated at the bottom is more than 4um;
3. Undimensioned Tolerances:

Pitch range in mm		Nominal dimension range in mm					—
to 6	over 6 to 10	over 10 to 24	to 30	over 30 to 60	over 60 to 100	over 100 to 150	∩ ◇
±0.10	±0.15	±0.25	±0.2	±0.3	±0.5	±0.7 ±1.0	0.05/0



1	K8	C0810	H62	SnCe	
ITEM	NAME OF PART	NO. OF PART	Q'TY	MATERIAL	NOTES
MM CINCH	DATE 11/11/08	DATE 10/20/08	DEGSON 宁波高正电子有限公司 DEGSON ELECTRONICS CO., LTD NAME: K8-00A(H) DRAWING NO. K8-E01 /PART NO. DO NOT SCALE DRAWING SHEET 1 OF 1		
TOLERANCES EXCEPT AS NOTED		DATE			
MM 0.1 ±	APPV. Hang	DATE 10/20/08			
0.05 ±	MATERIAL:				
ANGLES ± 1°		GE:	SIZE A4 REV TO 10/22/07		
THIRD ANGLE PROJECTION		FINISH:	SCALE: 1:1		