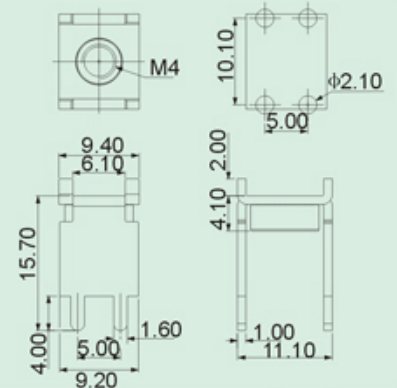


K48

- 结构简单.
- 最大电流: 30A.
- 最大扭矩: M5,4.0N.m.
- Simple structure.
- Mix.rated current:30A.
- Mix.torque value:M4,1.6N.m.



技术参数 Technical data

APPROVAL: CE

型号 Model	线径 Wire range (AWG/ mm ²)	线数 Poles	IEC60947技术参数 (IEC60947 data sheet)		UL1059技术参数 (UL1059 data sheet)	
			电压(V) Rated voltage	电流(A) Rated current	电压(V) Rated voltage	电流(A) Rated current
K48	-	-	-	30	-	30

应用行业 Application

工业自动化, 仪器仪表, 电梯, 新能源
电力电气等行业。

Industrial automation, instrument, elevator
new energy, electric power.



产品包装方式 Packing

Product model	Pcs./Pkt.
K48	50

型号对照 Cross reference

DEGSON	同行1/Competitor1	同行2/Competitor2
K48	-	-

产品订货 How to order

K48	0 0 AWG1 Standard
Series NO.	