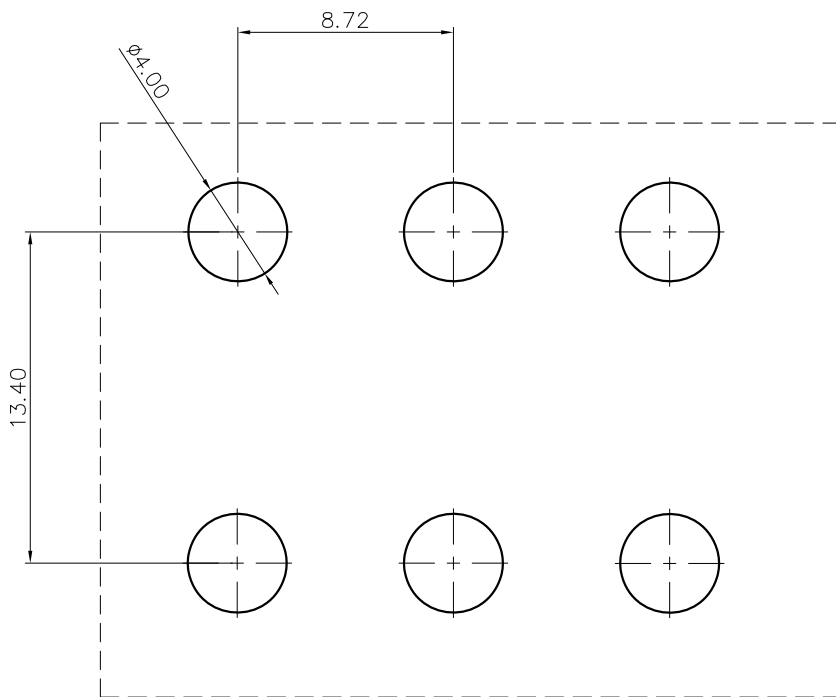
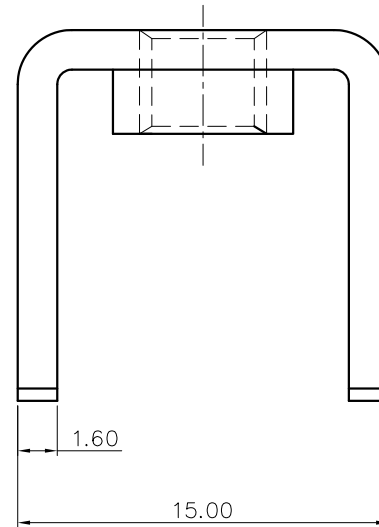
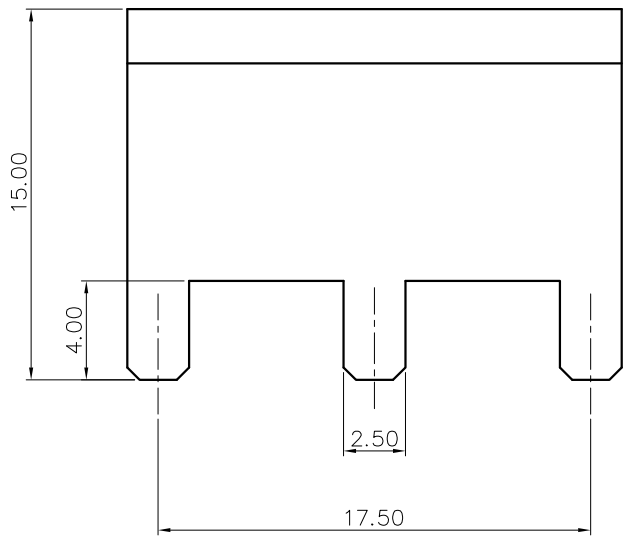


REVISION RECORD				
REV	ECN	DESCRIPTION	DRFT	DATE



PCB LAYOUT

NOTES:

- UL Standard
- 1.Rated Current: 115A
- 2.Torque Value : M6 , 15.48Lb.in
- 3.Dimension shall be interpreted per ASME Y14.5-2009
- 4.Undimensioned tolerances:

Pitch range in mm		Nominal dimension range in mm					Tolerances	
TO	Over TO	TO	Over TO	Over TO	Over TO	0.1/10		
6	10	30	60	100	150	<math>\leq</math>		
$\pm 0.15$	$\pm 0.20$	$\pm 0.30$	$\pm 0.50$	$\pm 0.70$	$\pm 1.00$	$\pm 1.30$	$\pm 2'$	

5.RoHS Compliance

K36-00A (H)  
 (Series No.) (RoHS)  
 -00A-(Standard)

DETACHED LISTS	PART NO.:	宁波高松电子有限公司 NINGBO DEGSON ELECTRICAL CO., LTD			
	APPD:	NAME: K36-00A(H)			
	CHKD:	TITLE: CUSTOMER DRAWING			
	DRFT:	DRAWING NO.:		REV	DO
	THIRD ANGLE PROJECTION		DO NOT SCALE DRAWING	SHEET	1/1
		MM (INCH)	SCALE	1:1	