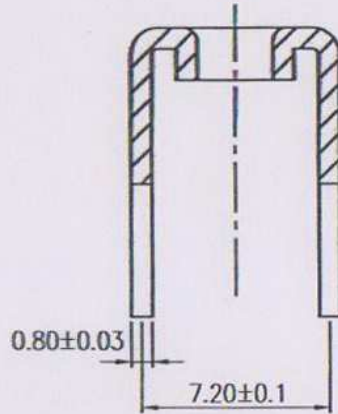
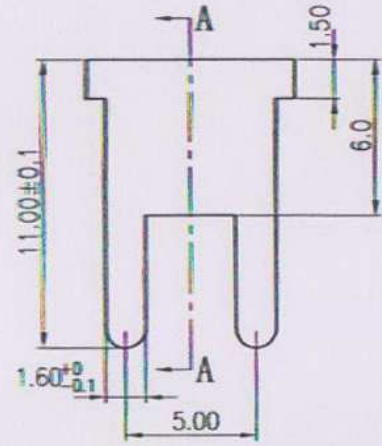
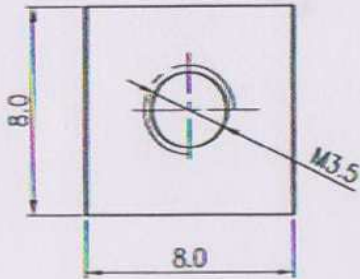


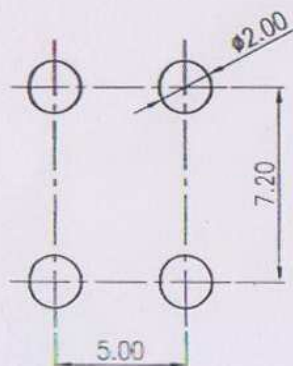
F:\My\图档\新增图面\cxxx\K14-01a.dwg, 2010-6-25 14:09:34

D1RFRD006

焊脚(pin)



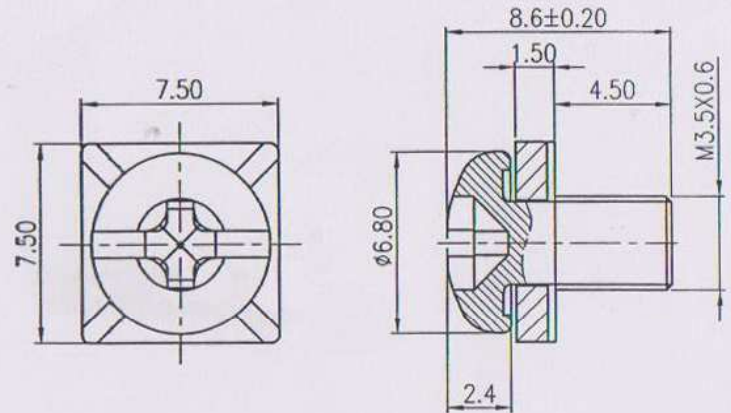
section A-A



- NOTES:
 1. Max. Torque Value: M3.5, 8.16kgf.cm;
 2. Wire Range: 18-14AWG;

Pitch range in mm		Nominal dimension range in mm						
to	over	to	over	to	over	to	over	
6	10	6	10	30	60	100	150	∩
6	10	24	30	60	100	150		□
±0.10	±0.15	±0.25	±0.2	±0.3	±0.5	±0.7	±1.0	0.05/1.0

螺丝(screw)



NOTES:

1. Max. Torque Value: M3.5, 8.16kgf.cm;
 2. Wire Range: 18-14AWG;

Pitch range in mm		Nominal dimension range in mm						
to	over	to	over	to	over	to	over	
6	10	6	10	30	60	100	150	∩
6	10	24	30	60	100	150		□
±0.10	±0.15	±0.25	±0.2	±0.3	±0.5	±0.7	±1.0	0.05/1.0



2	K14(M3.5*6.0), bright screw	S000000990(H)	1	Steel	Ni plated
1	K14-pin	C1410(H)	1	Brass	SnCe

MME (INC-) TOLERANCES EXCEPT AS NOTED .0 ± .00 ± .000 ±		DFTO Jinhai, Ltd DATE 06/25/10 CHKD BY DATE WFO DATE APPVA DATE 6/26/10		DEGSON 宁波高正电子有限公司 DEGSON ELECTRONICS CO., LTD	
DETACHED LISTS ANGLES ± ° THIRD ANGLE PROJECTION		G.E : FINISH :		NAME 螺丝与焊脚分开包装 K14-01A(H) DRAWING NO. K14-E08 /PART NO.	
SCALE: 1:1 DO NOT SCALE DRAWING				SIZE A3 REV TO 06/25/10	SHEET 1 OF 1