

Standard Din-rail Enclosure

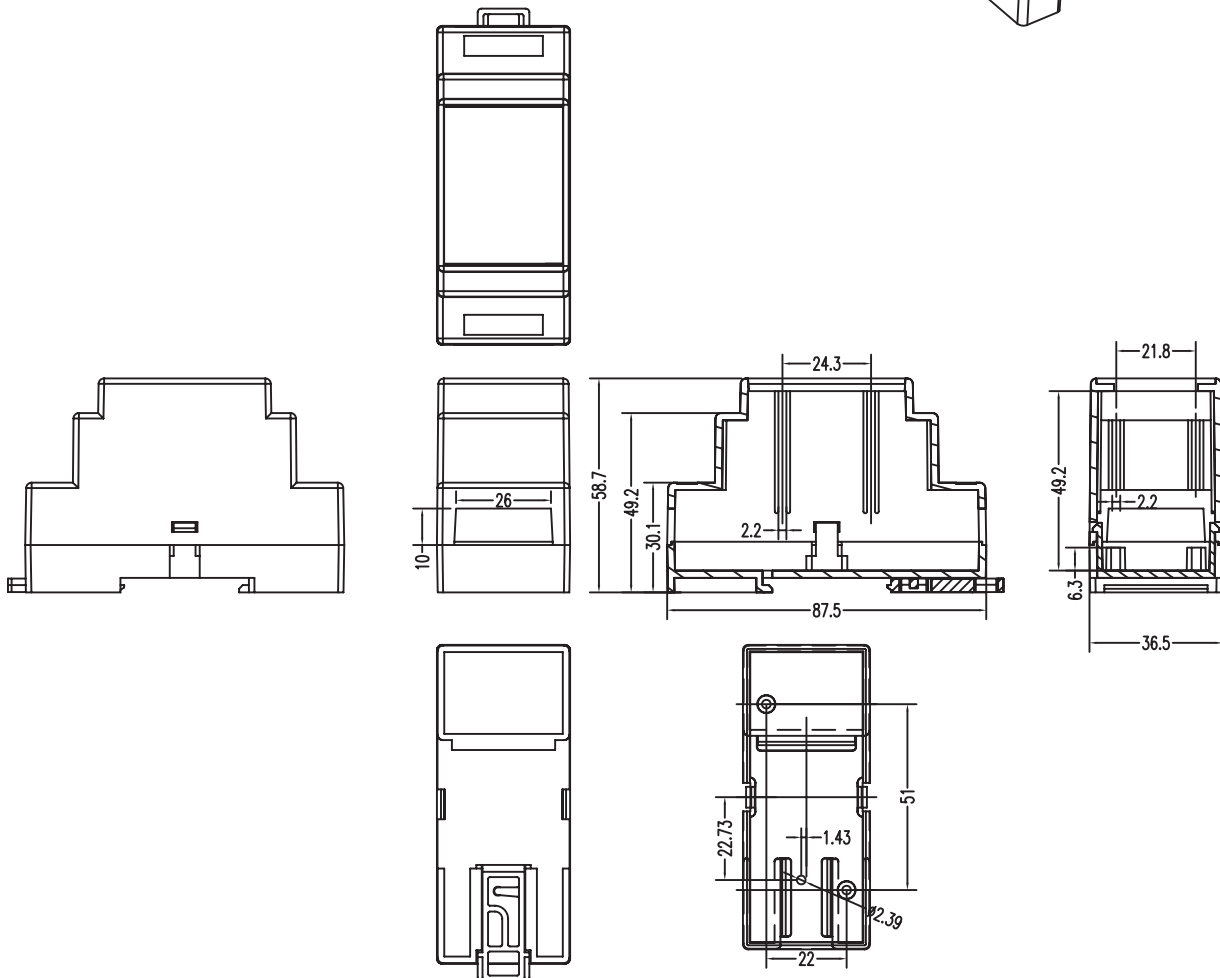
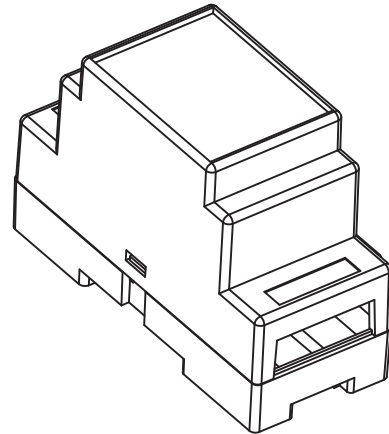
KLS24-JG4-01 88*37*59mm Standard rail Enclosure

Note:

Product Material:ABS
Surface Treatment:Smooth

Product Description:

- * Product is suitable for the power module compartment, acquisition, transmitter, isolation transmitter, signal transducer transmitter etc.
- * Product Standard accessories: cover, base, red retainer 1
- * Box body with the hook-type connection, tool-free installation
- * Both sides of the product can be equipped with plug-in terminal spacing 5.08 unilateral 5, a total of 10
- * Fast and simple standard 35 rail fixed



ORDER INFORMATION

Product NO.: KLS24-JG4-01

Pos. NO.

No.