

Standard Din-rail Enclosure

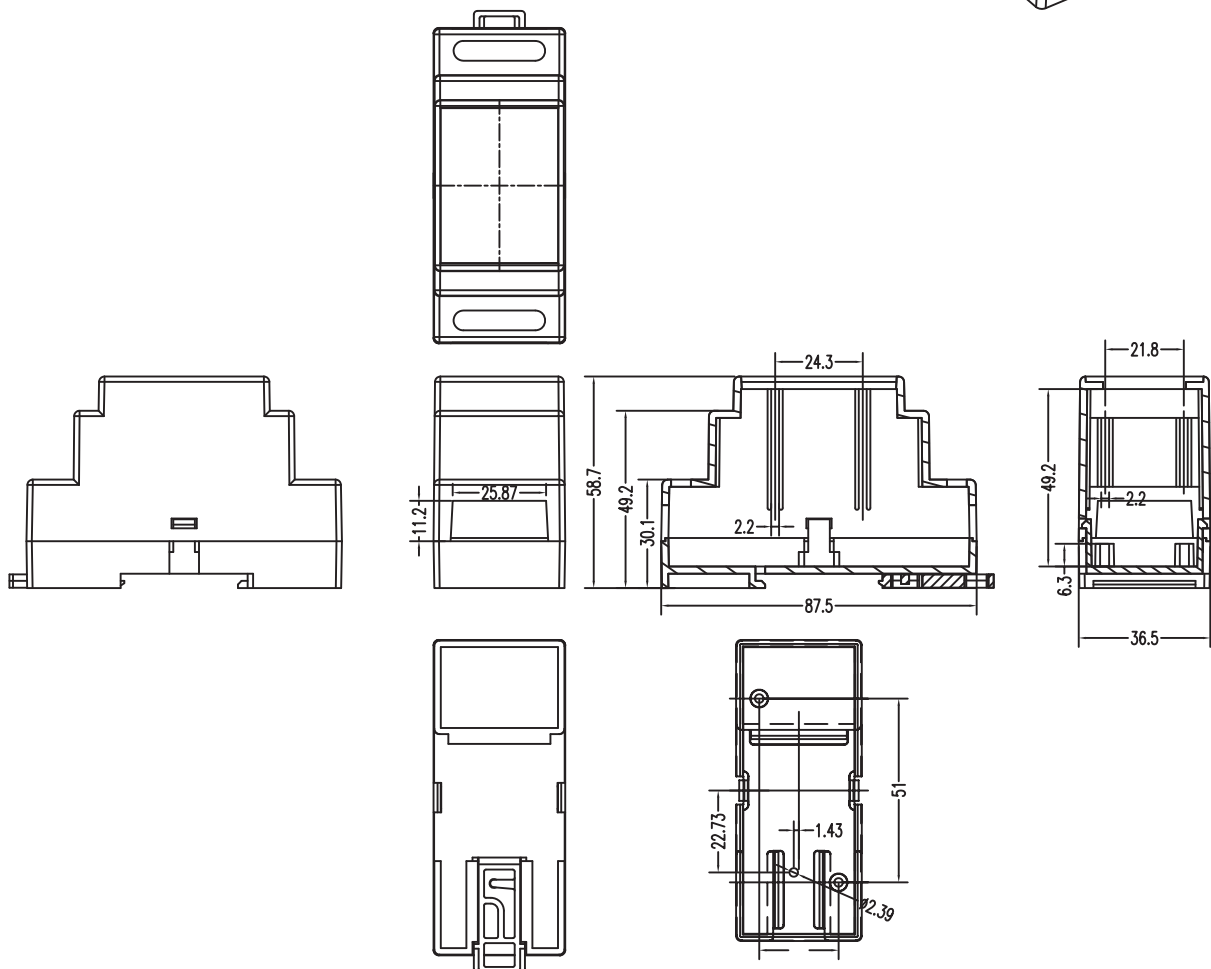
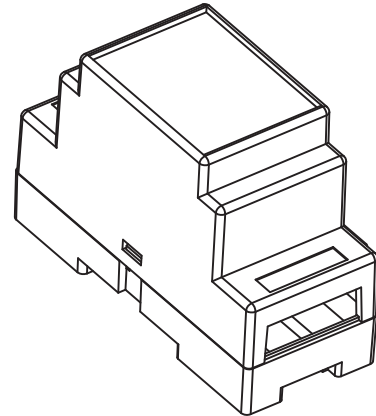
KLS24-JG4-01-5 88*37*59mm Standard rail Enclosure

Note:

Product Material:ABS

Product Description:

- * Product is suitable for the power module box, collection, transmitters, isolation transmitter, signal transducer and other transmitter
- * Product Standard accessories: cover, base, red retainer 1
- * Box body with the hook-type connection, tool-free installation
- * Product side terminal option:
 (1) with a pitch of 5.08 Pluggable terminal unilateral 5, a total of 10
 (2) with a pitch of 5.0 screw-type terminal unilateral 5, a total of 10
- * Fast and simple standard 35 rail fixing
- * Color and villages bulk material can be customized
- * Product cover may require modification



ORDER INFORMATION

Product NO.: KLS24-JG4-01-5

Pos. NO.

No.