

LED Module Lighting Series



Waterproof Tri-chip 3LEDs Module adopts 3 pcs of Tri-chip LED as its luminous body, this product has good ability, wide beaming angle, and perfect design. ABS Engineering Plastic Housing glued with epoxy makes the product wholly waterproof (IP 65).

Easy installation can be realized with two mounting holes and 3M tape on the back. This product can be widely used for signs, logos, cove lighting, channel letter, etc

Waterproof Tri-chip 3LEDs Module

Part No.: IMG-M3X-3SF

Specification :

Size : 82.5*17*5.8mm

IP Class : IP65

Weight : 10g

Beaming Angle: >120°

Electrical specification :

Input Voltage : 12VDC

Power Consumption : 0.72W/PC

Power Supply : Waterproof 30W-12V-2.5A;
60W-12V-5A ; 150W-12V-12.5A

Non-waterproof 55W-12V-4.6A,

150W- 12V-12.5A ; 300W-12V-25A



Green , Energy Saving.

Low voltage, DC 12V, High brightness.

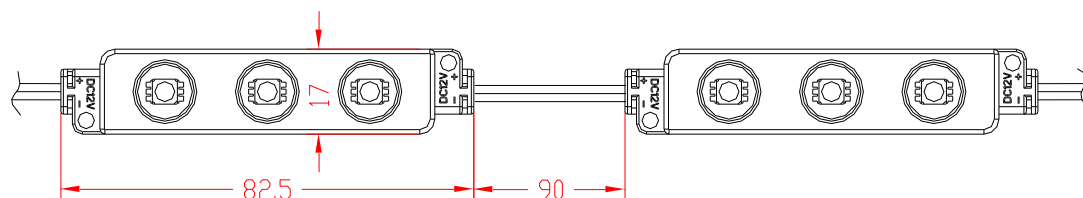
Conforming to international standard.

Absolutely safe and stable.

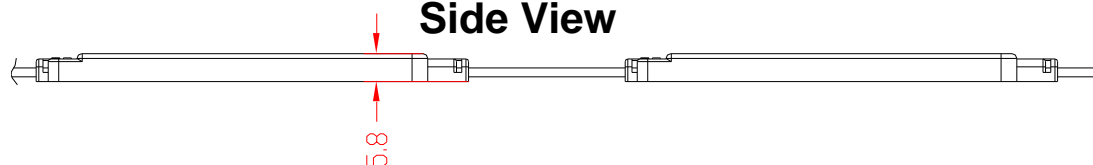
Save 90% electricity compared to traditional lights.

Diagram

Top View

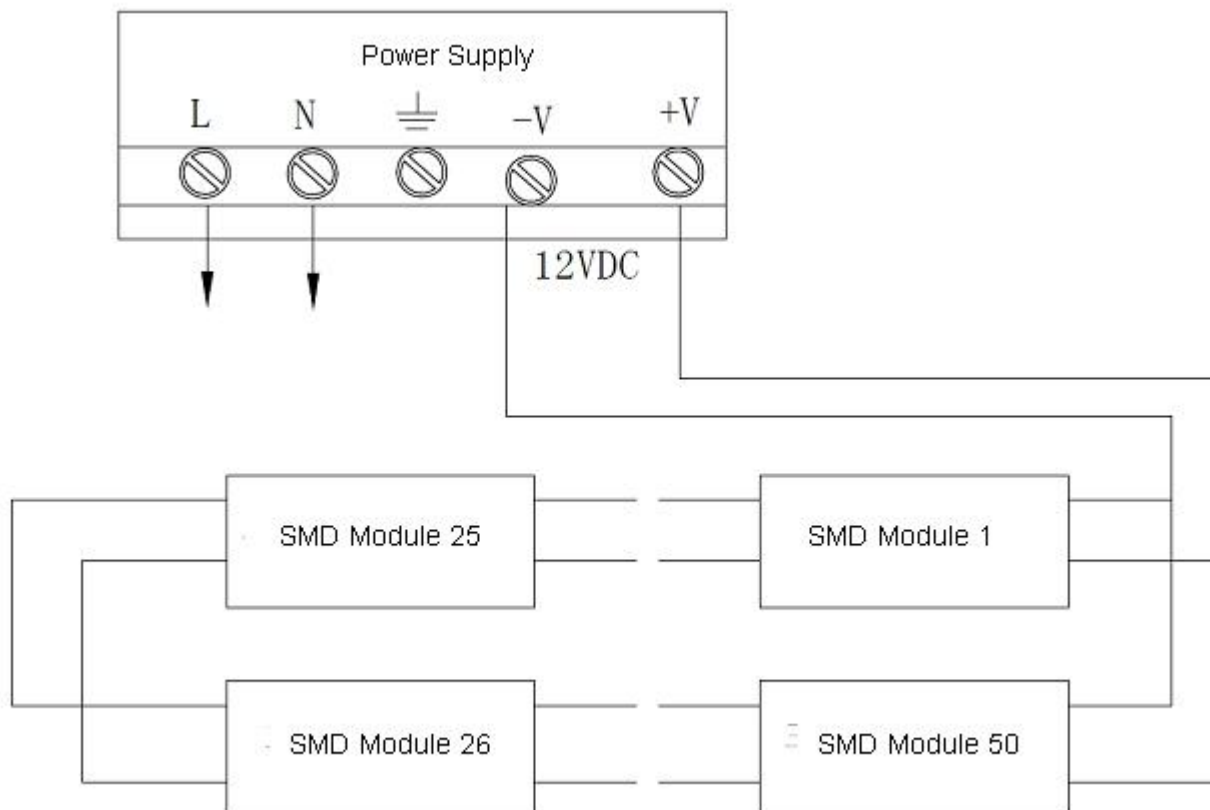


Side View



LED Module Lighting Series

Connecting Diagram



ATTENTION



- * To ensure the longevity and stability of Module , please do not hit or beat the module forcibly.
- * Please do not install it in totally exposed outdoor environment.
- * We advise that the distance between the module and light box cover within 80~150mm, The distance between each module is 40~60mm.

WARNING



- * Do not touch INPUT PORT when power is on.
- * Please leave 20% power free to protect the brightness of module from being influenced by environments.
- * Install this module at desired installation spot

