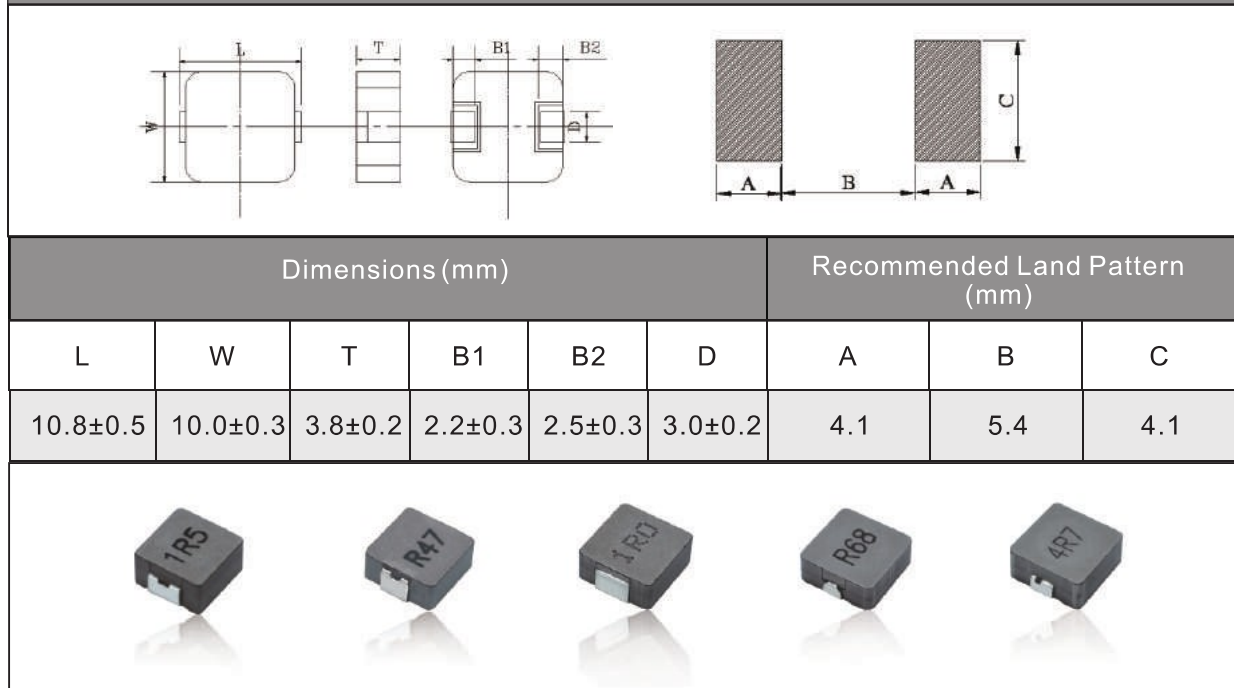


HIGH POWER INDUCTOR

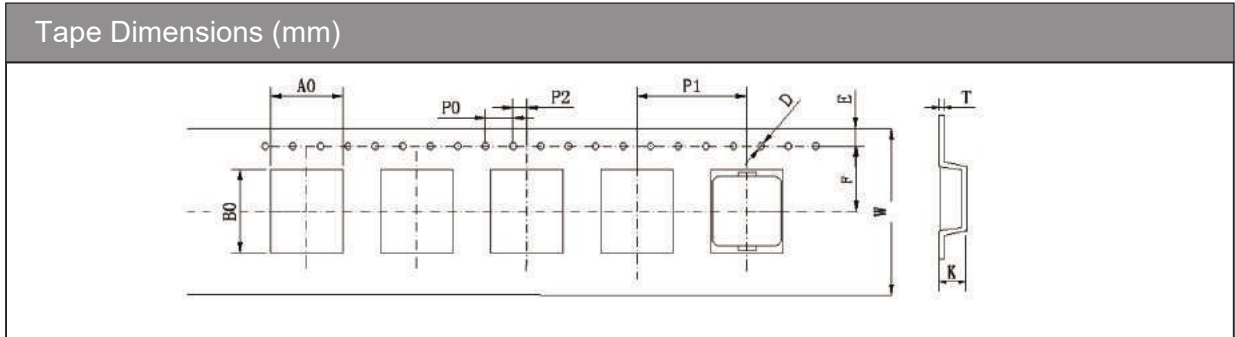
Figures and Dimensions



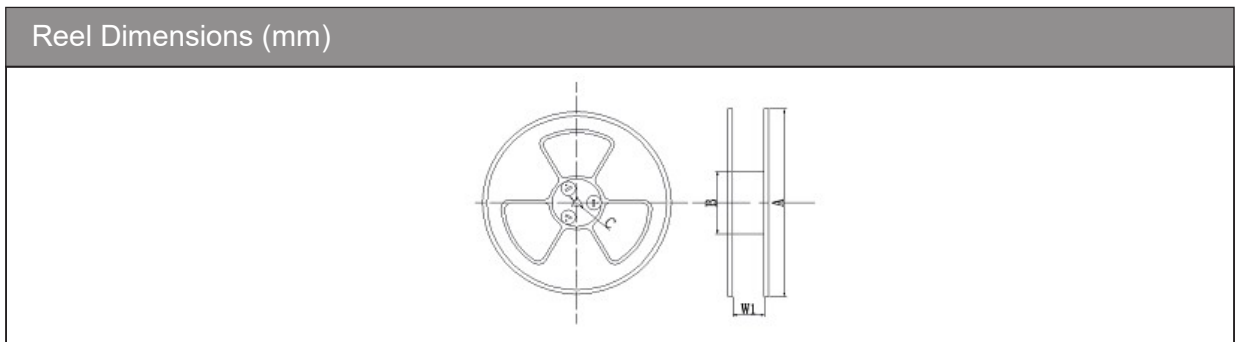
Electrical Characteristics

Part number	Inductance (μH)@0A	Tolerance	Resistance (mΩ) ±7%	Saturation current Typ.(A)	Heat rating current Typ.(A)
HPI1040-R22	0.22	±20%	0.90	45	35
HPI1040-R33	0.33	±20%	1.0	38	30
HPI1040-R36	0.36	±20%	1.10	35	28
HPI1040-R47	0.47	±20%	1.20	28	24
HPI1040-R56	0.56	±20%	1.70	27	23
HPI1040-R68	0.68	±20%	2.10	25	22
HPI1040-1R0	1.00	±20%	3.00	23	20
HPI1040-1R5	1.50	±20%	4.7	18	15
HPI1040-2R2	2.20	±20%	6.5	13.5	12.0
HPI1040-3R3	3.30	±20%	11.0	12.0	10.0
HPI1040-4R7	4.70	±20%	14.0	10.5	9.0
HPI1040-6R8	6.80	±20%	20.7	8.5	7.2
HPI1040-8R2	8.20	±20%	25.0	6.5	6.0
HPI1040-100	10.0	±20%	30.0	6.0	5.3
HPI1040-150	15.0	±20%	45.0	5.4	4.5
HPI1040-220	22.0	±20%	62.0	4.5	4.0
HPI1040-330	33.0	±20%	95.0	4.0	3.5
HPI1040-470	47.0	±20%	150.0	3.0	2.5
HPI1040-680	68.0	±20%	190.0	2.3	2.0
HPI1040-101	100.0	±20%	300.0	1.5	1.2

Package



	A0	B0	W	F	E	P1	P2	P0	D	T	K
10 Series	±0.1	±0.1	±0.3	±0.1	±0.1	±0.1	±0.1	±0.1	±0.05	±0.05	±0.1
	10.3	11.6	24	11.5	1.75	16	2.0	4.0	1.5	0.4	H+0.2



	A	B	C	W1	Quality(pcs/Reel)
10 Series	330	100	13.0	24.0	500