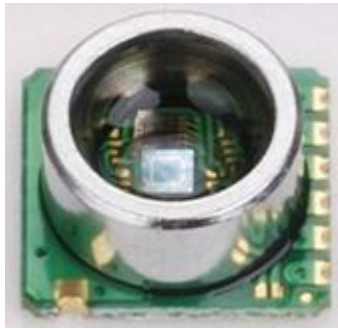


BAROMETER MODULE

2010-1-12

Version: 1.0

+



- . Integrated pressure sensor
- . Pressure Range 300-1100hpa
- . 16 Bit Σ - Δ ADC
- . 5 coefficients for software compensation stored on chip
- . I²C Serial Interface
- . One system clock line (32768Hz)
- . One hardware controlled reset line
- . Low voltage, low power

Description

The HP02S includes a piezo-resistive pressure sensor and an ADC interface. It provides 16 bit word data for pressure and temperature related voltage. With the help of a highly accurate calibration of the sensor, 5 unique coefficients were stored on the chip, thus accurate pressure and temperature reading can be realized. HP02S is a low power, low voltage device with automatic power down switching. I²C Serial Interface is used for communications with a microprocessor.

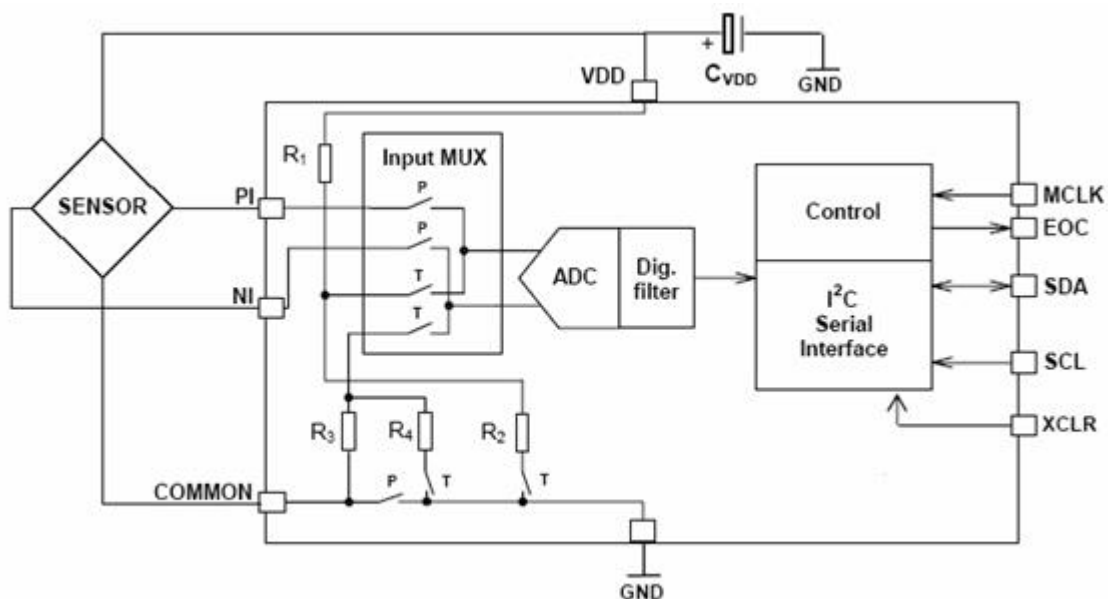
Features

- . 15 Bit ENOB ADC resolution
- . Supply voltage 2.0v-5.0v
- . 0°C to + 50°C operating range

Applications

- . Pressure measurement and control systems
- . Mobile altimeter/barometer systems
- . Weather forecast products
- . Adventure or multi-mode watches

Block Diagram



BAROMETER MODULE

2010-1-12

Version: 1.0

Pin Name	Pin Number	Type	Function
VSS	1	G	power ground
VDD	2	P	power VCC
MCLK	3	I	master clock(32k) input
XCLR	4	I	ADC reset input (keep low when system is in idle state)
SDA	5	I/O	. I ² C data input and output
SCL	6	I	I ² C clock input

* XCLR is to reset the AD converter (active low). XCLR should be set to high only during AD conversion phase(reading T1,D1). While at all other states, such as reading calibration factors, this pin should be kept low.

Absolute Maximum Ratings

Parameter	Symbol	Min	Max	Unit
Supply Voltage	VDD	-0.3	5	V
Over pressure	P		5	Bar(abs)
Storage Temperature	Tstg	-30	90	°C

Recommended Operating Conditions

Parameter	Symbol	Conditions	Min	Typ	Max	Unit
Supply Voltage	VDD		2.0	3	5.0	V
Supply Current	I	VDD=3V				V
during conversion				500		μA
stand by				1		μA
Operating Pressure Range	P		300		1100	hpa (abs)
Operating Temperature Range	T		0	25	50	°C
Conversion Time	T	MCLK=32k			35	ms
Duty Cycle of MCLK			40%	50%	60%	%
Serial Date Rate	SCL				500	KHZ

Pressure and Temperature Output Characteristics

With the calibration data provided by the HP02S system, it should be able to reach the following characteristics:

Parameter	Symbol	Conditions	Min	Typ	Max	Unit
Resolution			0.1			hpa
Accuracy		900-1100	-1.5		1.5	hpa
Absolute Pressure Accuracy		900-1100	-3.0		3.0	hpa
Maximum Error Over Temperature		0~+50	-5.0		5.0	hpa
Long Term Stability		12 month		1		hpa
VDD Dependency		2.0~5.0	-1.5	0	1.5	hpa

BAROMETER MODULE

2010-1-12

Version: 1.0

Pressure and Temperature Measurement

The main function of HP02S system is to convert the uncompensated pressure and temperature signal from a pressure sensor. After the conversion, the following two values can be obtained:

- . measured temperature “T1”
- . measured pressure “D1”

As the sensor is strongly temperature dependent, it is necessary to compensate for these effects. Therefore 5 sensor-specific coefficients are stored on the HP02S at our manufacturing facility, and they allow an accurate software compensation in the application.

The 5 coefficients are:

- . “D0”
- . “T0”
- . “P0”
- . “S”
- . “C”

Note: Make sure to pull low XCLR before start to Read these coefficients or the data read out is probably incorrect

Pressure and Temperature Calculation:

Step 1: (calculate offset, sensitivity and final pressure value)

$dUP = D1 - D0$
$dUT = (29 * (T1 - T0) / 50 - (T1 - T0)^2 / 76666) * S / C$
$P = P0 + 100 * (dUP + dUT) / S$

Example:

D0=41058
T0=32819
P0=10143
S=294
C=320

D1=42920
T1=29889

$dUP = 42920 - 41058 = 1862$

$dUT = (29 * (29889 - 32819) / 50 - (29889 - 32819)^2 / 76666) * 294 / 320 = -1664$

$P = 10143 + 100 * (1862 - 1664) / 294 = 10210 = 1021.0\text{hpa}$

BAROMETER MODULE

2010-1-12

Version: 1.0

Serial Interface

The I²C interface is used for accessing calibration data as well as reading measurement result from AD conversion.

Reading Calibration Factor:

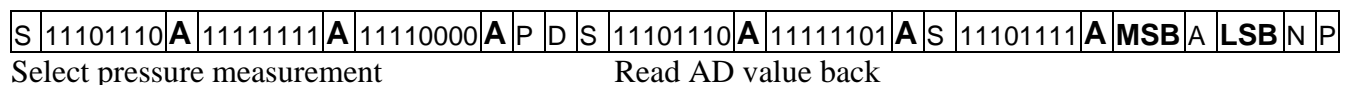
The EEPROM chip address is set to 0, and reading or writing of the EEPROM is fully compatible to AT24C02. Bus drive timing should be referred to the specification of this part.

Coefficient	EEPROM ADDRESS(decimal)
D0(MSB:LSB)	(02:03)
T0(MSB:LSB)	(04:05)
P0(MSB:LSB)	(06:07)
S(MSB:LSB)	(08:09)
C(MSB:LSB)	(0A:0B)

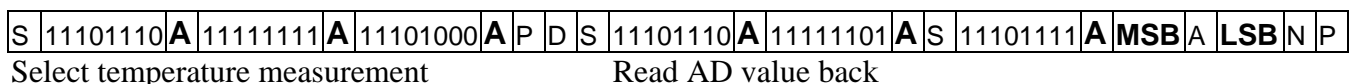
Reading Temperature and Pressure value:T1,D1

AD chip I²C address is set to 0xEE (device write address), 0xEF (device read address). In order to get the AD value D1 and T1, you have to follow the following timing sequence:

Pressure Measure(D1):



Temperature Measure(T1):



- S: I²C bus START (refer to AT24C02 EEPROM start command)
- P: I²C bus STOP (refer to AT24C02 EEPROM stop command)
- A** (bold): I²C bus acknowledge by slave (SDA pull low: slave send out bit 0)
- A: I²C bus acknowledge by master (SDA pull low: master send out bit 0)
- N: I²C bus no acknowledge from master (SDA keep high: master send out bit 1 instead)
- D : delay for 38ms or above
- MSB: conversion result (MSB bit clocked out first)
- LSB: conversion result (MSB bit clocked out first).

BAROMETER MODULE

2010-1-12

Version: 1.0

Remark:

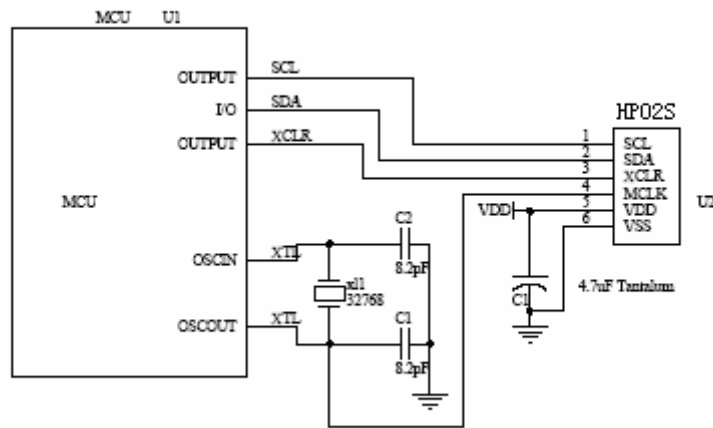
Before start an AD conversion cycle, remember to set XCLR pin high so that the system is no longer in the reset state.

All data read from the module is in hex format.

After first power on, the first read data should be disregarded, and only the second value be used. This can assure that unstable reading after power on reset can be filtered out.

For altitude calculation purpose, use averaging scheme to improve the stability of pressure reading, we recommend making at least 8 times averaging so that it is possible to achieve 0.3m accuracy (about 1 foot).

Typical Application Circuit Diagram:

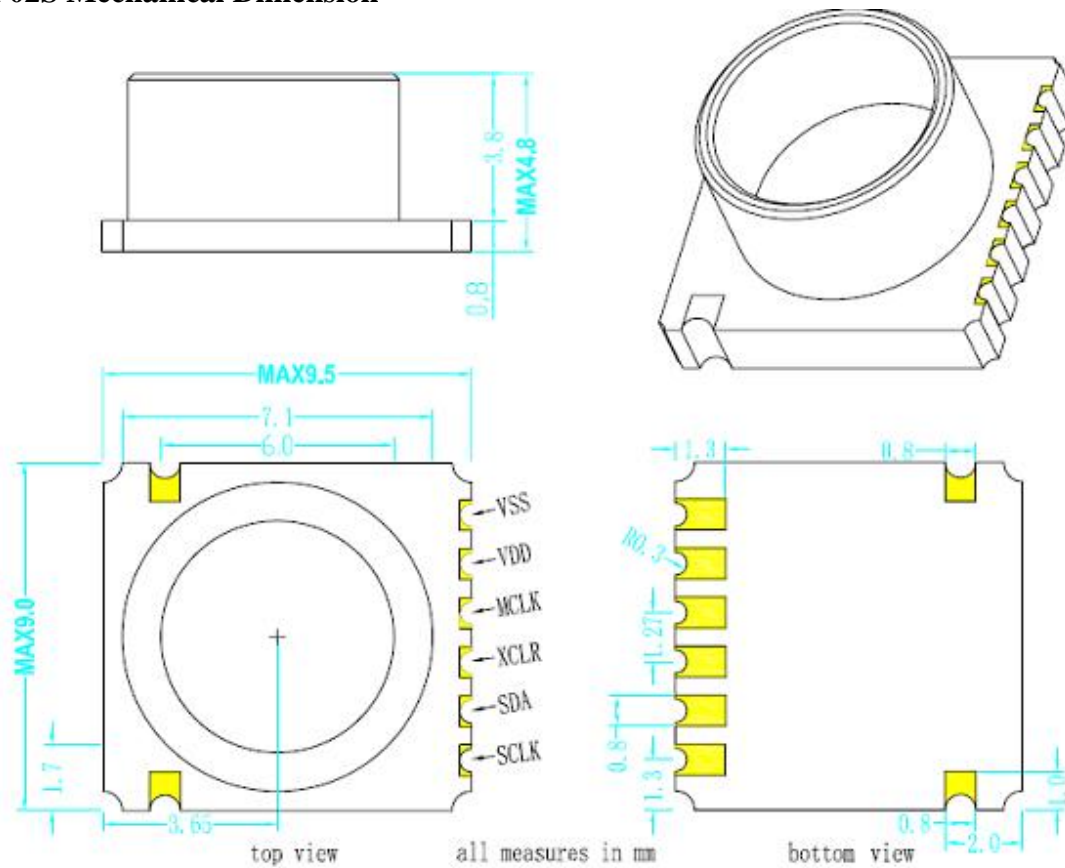


BAROMETER MODULE

2010-1-12

Version: 1.0

HP02S Mechanical Dimension



Important Notices

Never unplug the module when power is on.

Do not use this product as safety or emergency stop device or in any application where failure of this product could lead in personal injury. Failure to comply with these instructions could result with death or serious injury.

Should buyer purchase or use HOPE RF products for any such unintended or unauthorized application, buyer should indemnify and hold HOPE RF and its officers, employees, affiliates and distributors harmless against all claims, costs, damages and expenses, and reasonable attorney fees arising out of, directly or indirectly, any claim of personal injury associated with such unintended or unauthorized use, even if such claim alleges that HOPE RF was negligent regarding the design or manufacturing of the part.

Hope RF reserves the right, without further notice, to change the product specification and/or information in this document and to improve reliability, functions and design.