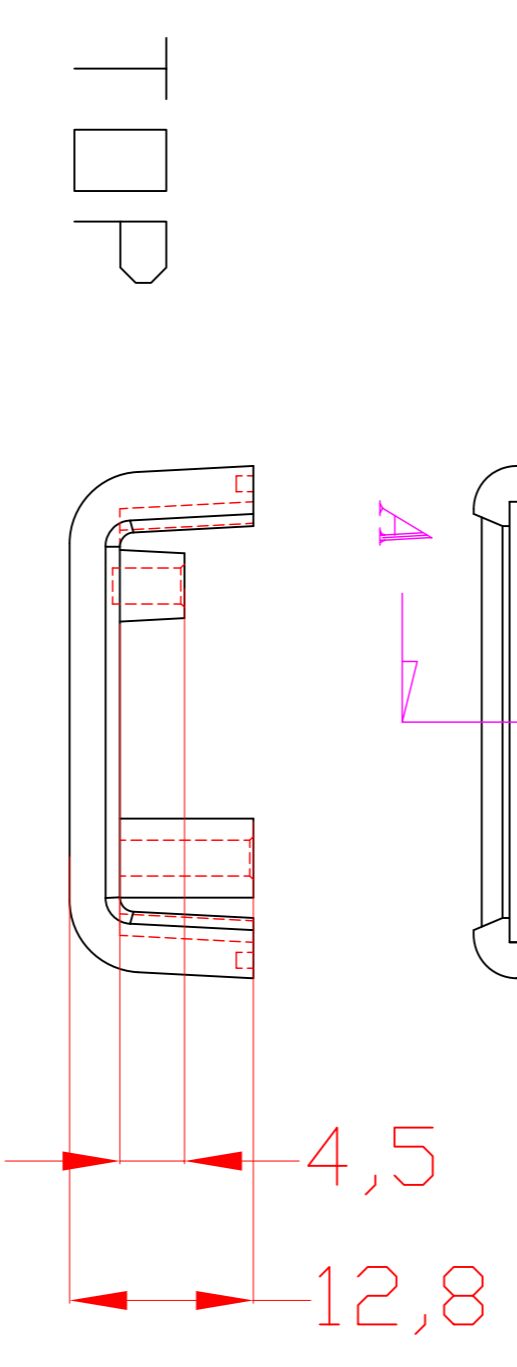
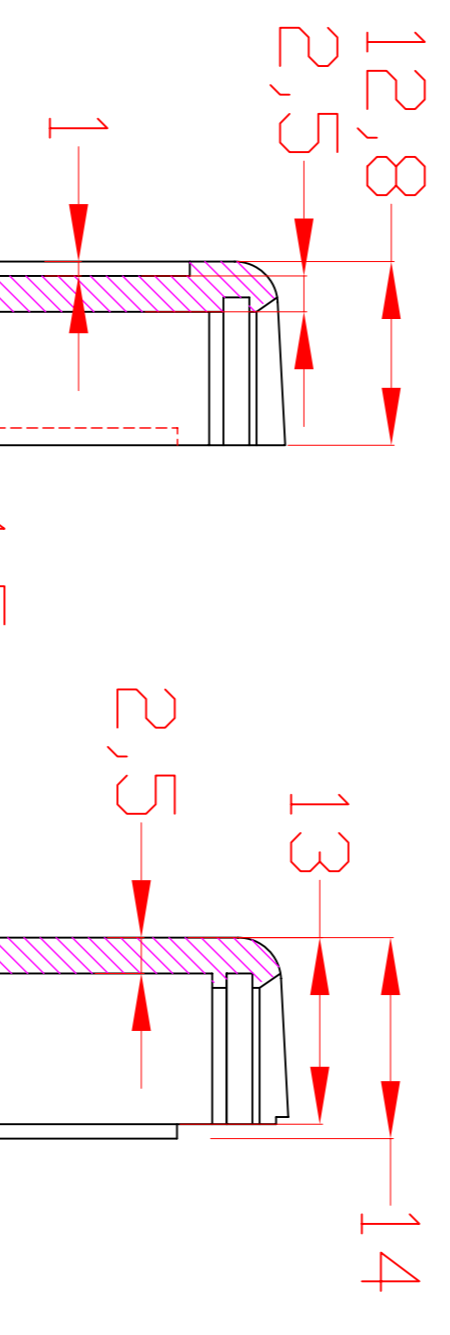
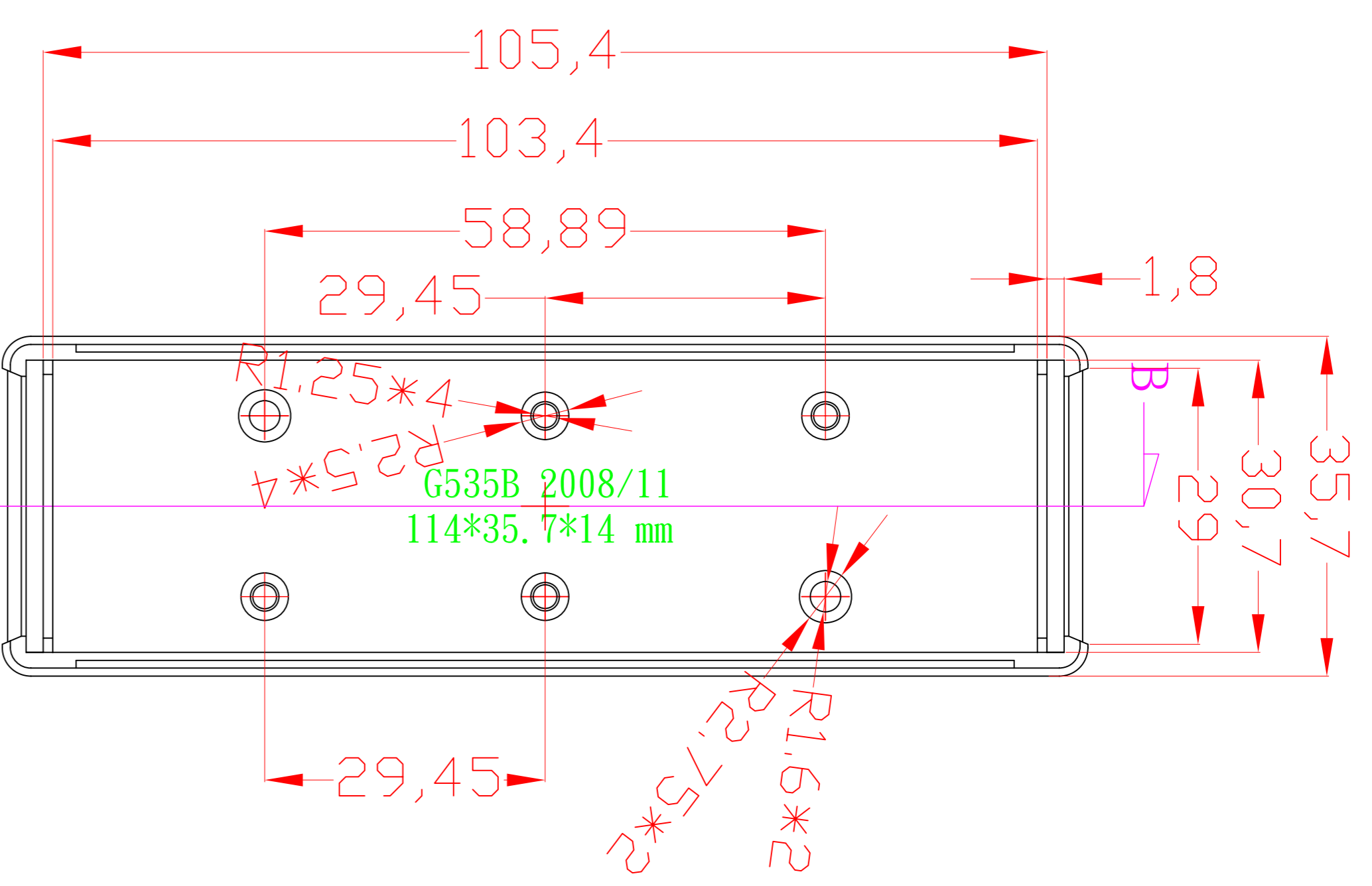
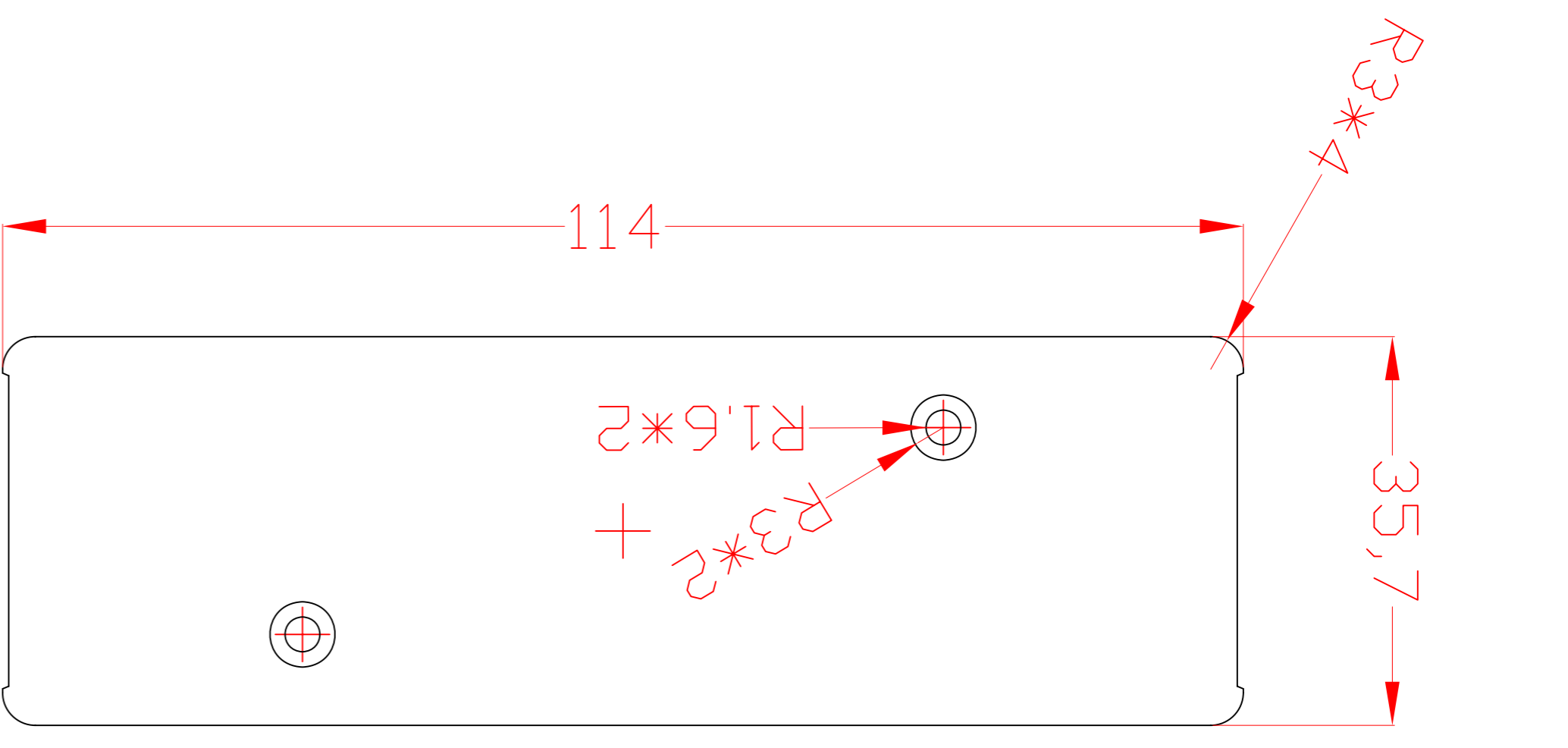
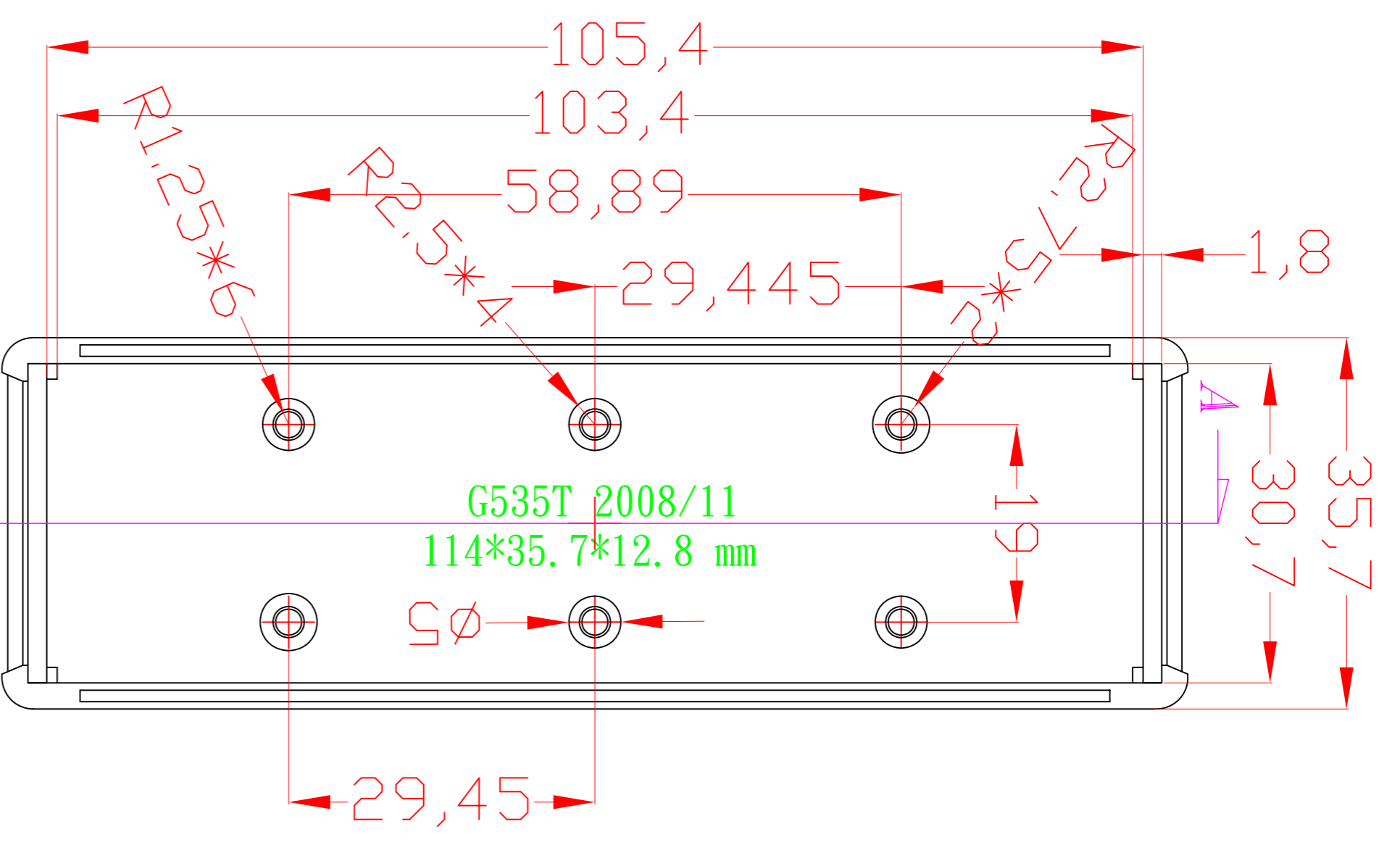
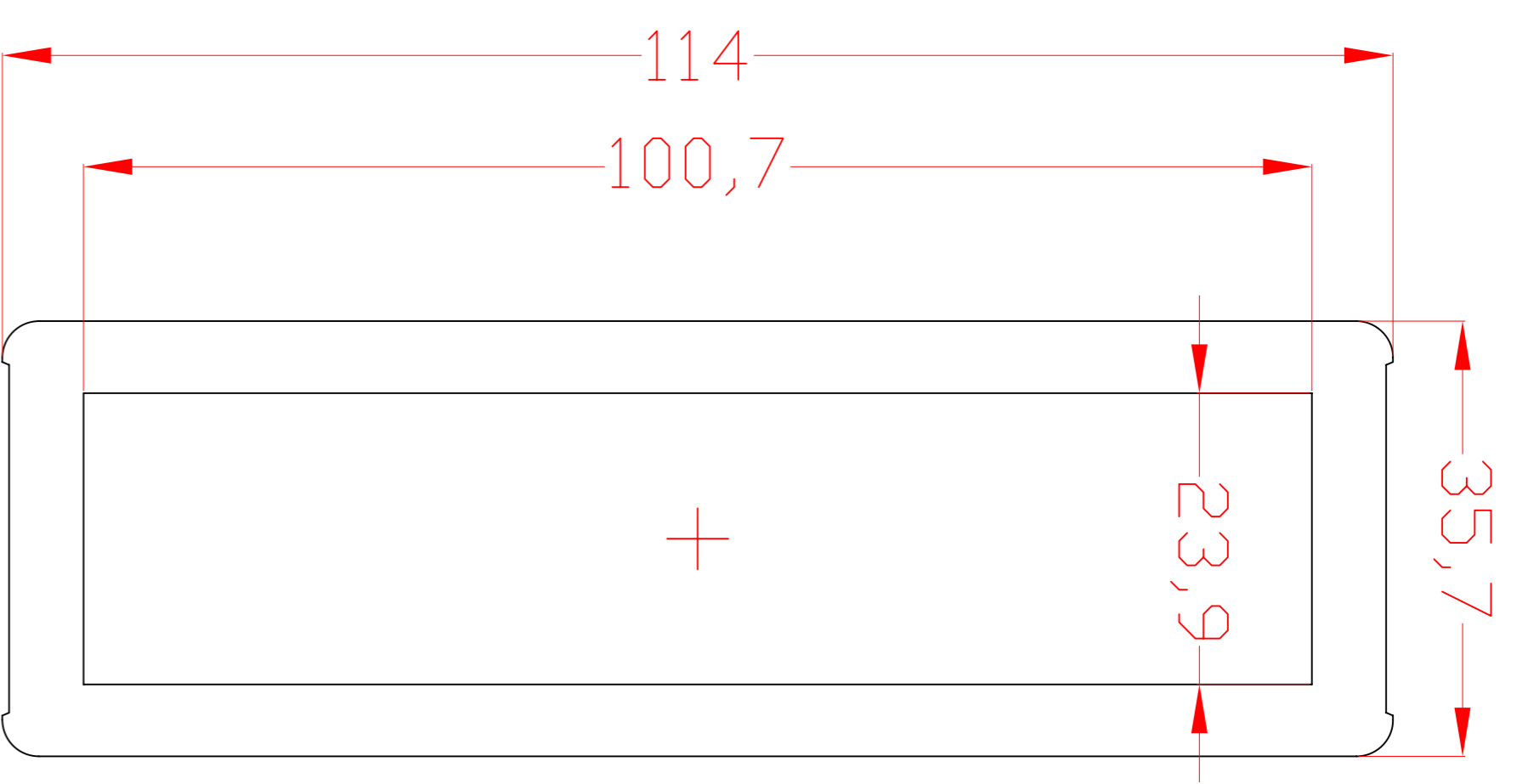
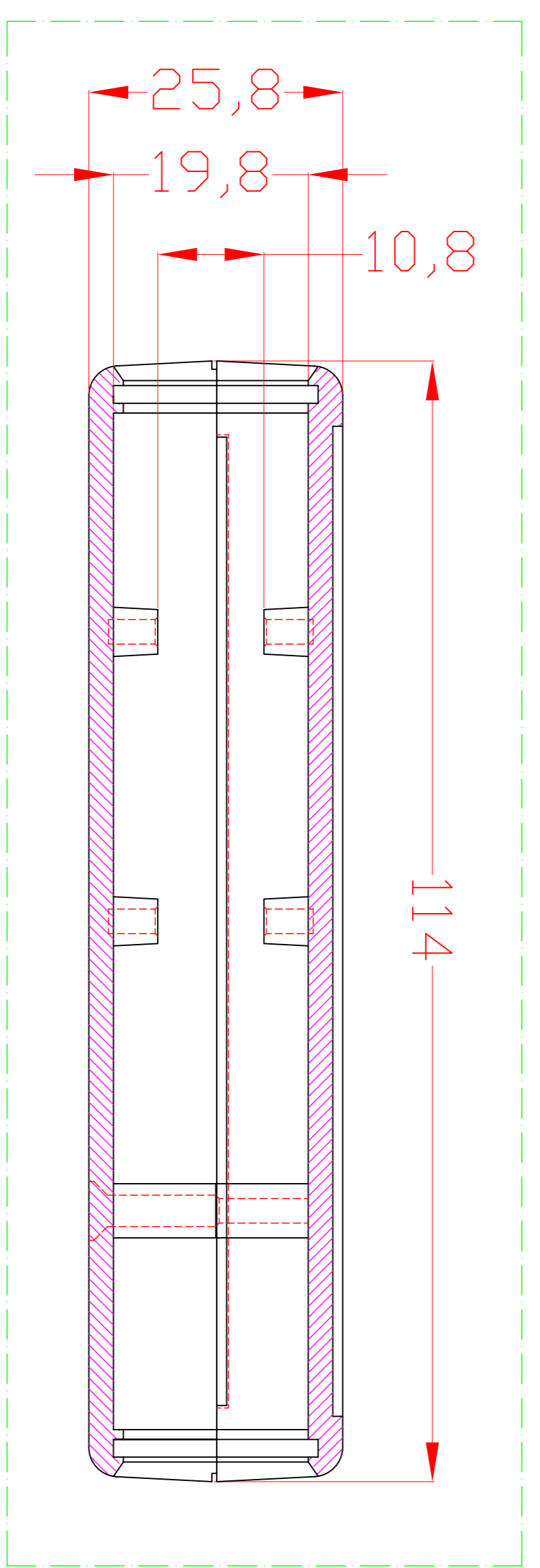
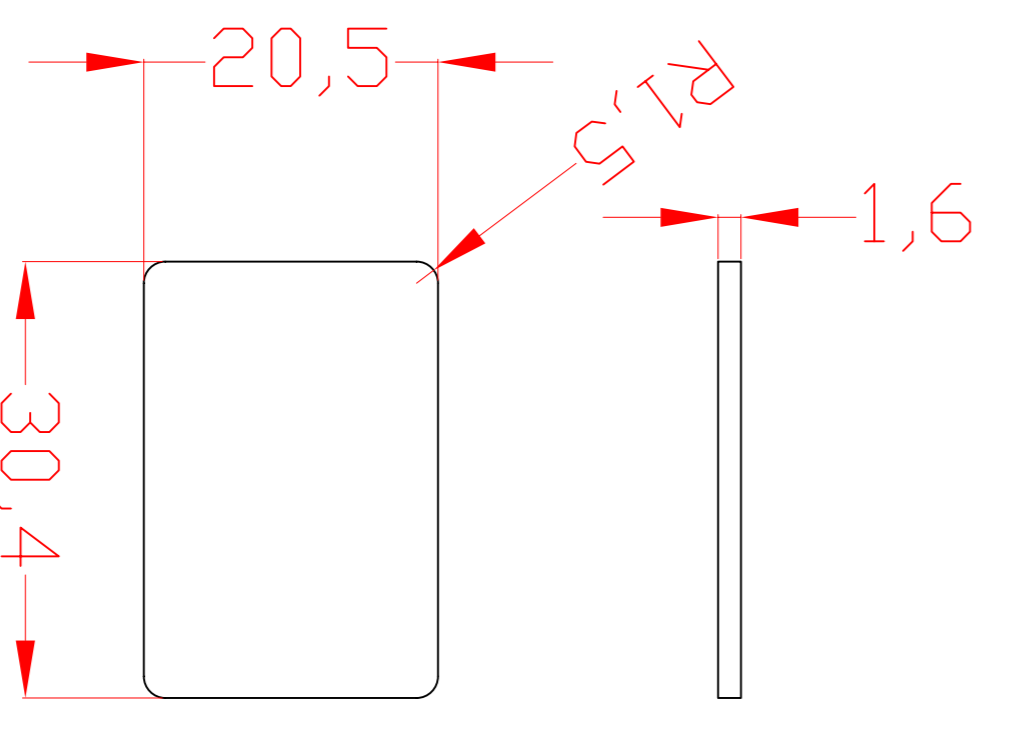


G535B-2%;G535G-2%



TOP

BASE



PANEL-"%"

DESCRIPTION

ITEM NO	DESCRIPTION
G535B-2%	BLACK((G535T+G535B)*1+BLACK(PANEL-"%"))*2+M3*21 mm BLACK SCREWS *2
G535G-2%	GRAY((G535T+G535B)*1+GRAY(PANEL-"%"))*2+M3*21 mm BLACK SCREWS *2

According to ISO 2768-m	
Measuring DIM.=L	Tolerance
0.5<L≤3.0 mm	±0.1 mm
3.0<L≤6.0 mm	±0.1 mm
6.0<L≤30.0 mm	±0.2 mm
30.0<L≤120.0 mm	±0.3 mm
120.0<L≤400.0 mm	±0.5 mm
400.0<L≤1000.0 mm	±0.8 mm

宣又實業有限公司
GAINTA INDUSTRIES LTD.

設計 DES'G BY JACKY

繪圖 DRA'G BY JACKY

核圖 CHK'D BY

比例 SCALE

日期 DATE 2009/1/7

材質 MATE. ABS

圖名 TITLE: G535B-2%;G535G-2%

圖號 DWG NO.:

圖號 REVISED

說明 DESCRIPTION