

PRODUCT SPECIFICATION

Model No.: FYL-55A4LUWW1A

Descriptions:
■Dice material:InGaN.
■Emitting Color: Super bright White.
■Device Outline: 5*5mm square type.
■Lens Type: White diffused.



CUSTOMER APPROVED SIGNATURES	APPROVED BY	CHECKED BY	PREPARED BY

NINGBO FORYARD OPTOELECTRONICS CO.,LTD.

Add:NO.115 Qixin Road Ningbo Zhejiang China

Zip:315051

Tel: 0086-574-87933652 87927870 87922206

Fax: 0086-574-87927917

E-mail: Sales@foryard.com (General)

[Http://www.foryard.com](http://www.foryard.com)

■ Absolute maximum ratings($T_a=25\text{ }^\circ\text{C}$)

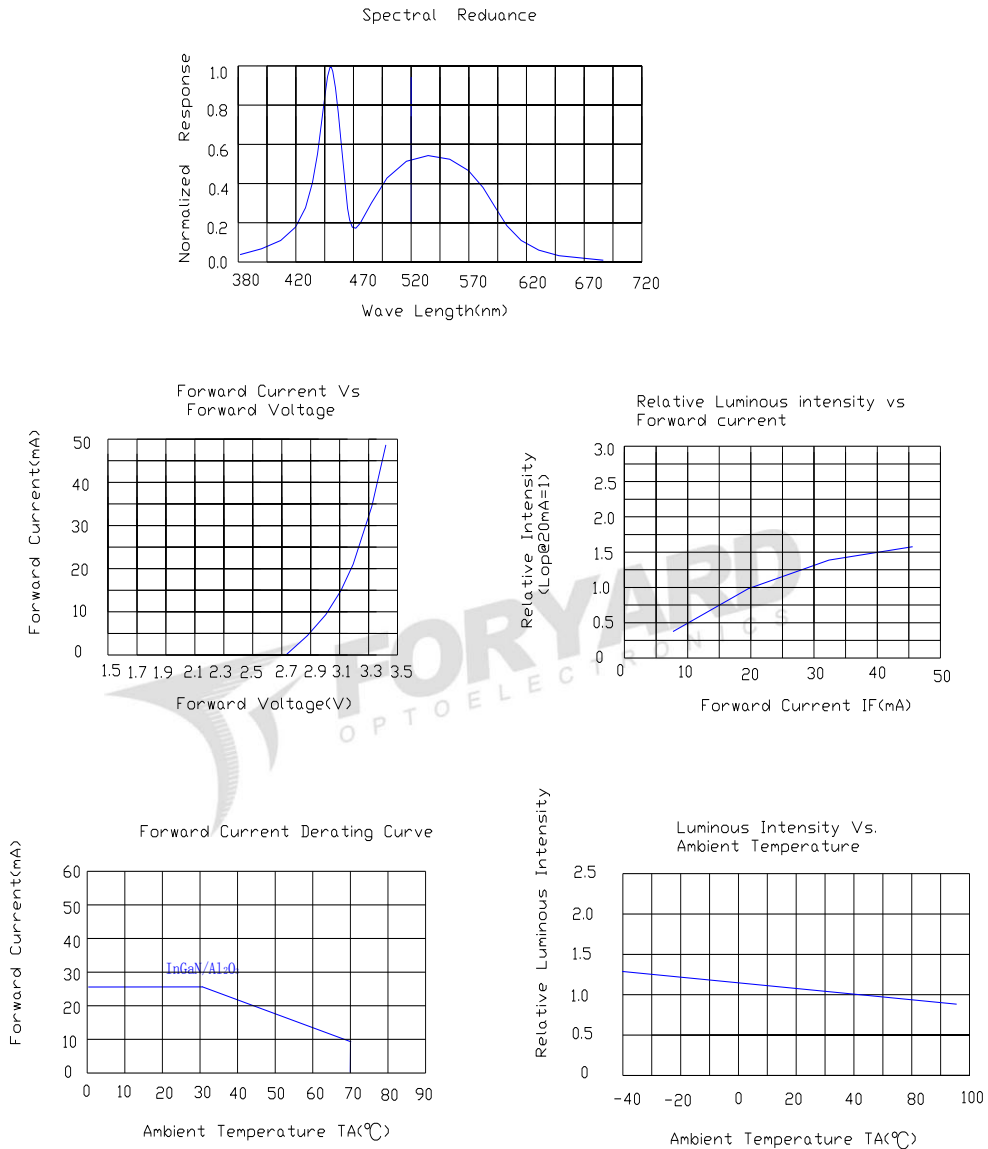
Parameter	MAX.	Unit
Power Dissipation	90	mW
Peak Forward Current (1/10 Duty Cycle, 0.1ms Pulse Width)	100	mA
Continuous Forward Current	25	mA
Derating Linear From 50 $^\circ\text{C}$	0.4	mA/ $^\circ\text{C}$
Reverse Voltage	5	V
Operating Temperature Range	-40 $^\circ\text{C}$ to +85 $^\circ\text{C}$	
Storage Temperature Range	-40 $^\circ\text{C}$ to +100 $^\circ\text{C}$	
Lead Soldering Temperature[4mm(.157") From Body]	260 $^\circ\text{C}$ for 5 Seconds	

■ Electrical and optical characteristics($T_a=25\text{ }^\circ\text{C}$)

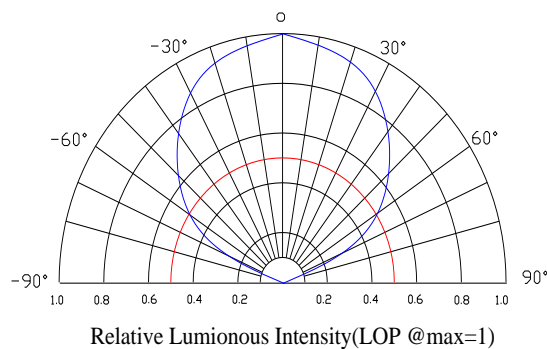
Parameter	Symbol	Min.	Typ.	Max.	Unit	Test Condition
Luminous Intensity	I_v	-	1200	-	mcd	$I_F=20\text{mA}$
Viewing Angle	$2\theta_{1/2}$	-	120	-	Deg	
Chromaticity coordinates	X	-	0.29	-		
	Y	-	0.29	-		
Color temperature	CCT	-	9500	-	K	
Forward Voltage	V_F	2.8	3.0	3.4	V	
Reverse Current	I_R			10	μA	$V_R=5\text{V}$

■ Typical Electrical Characteristics Curves

(25 ° c Ambient Temperature Unless Otherwise Noted)

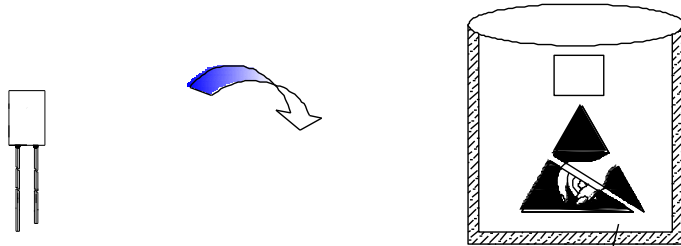


Radiation pattern.

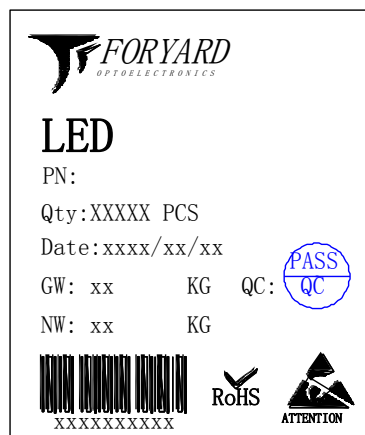
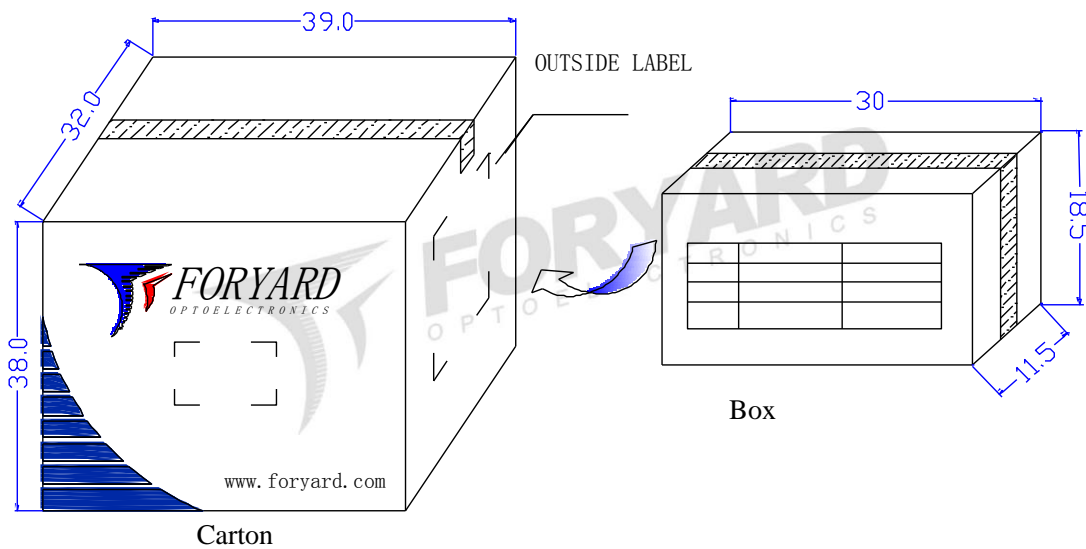
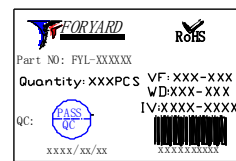


Model. No.	FYL-55A4LUWW1A
Rev.	A

■ LAMP PACKING.



5mm 500PCS/Polybag



OUTSIDE LABEL