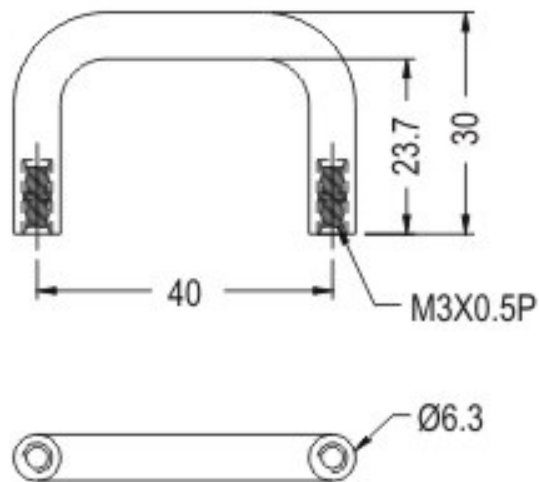




- ◆ MATERIAL: NYLON 66 (UL)
- ◆ FLAME CLASS : 94HB
- ◆ COLOR: BLACK
- ◆ UNIT: mm



PART NO	PACKAGE
HANU-40	250