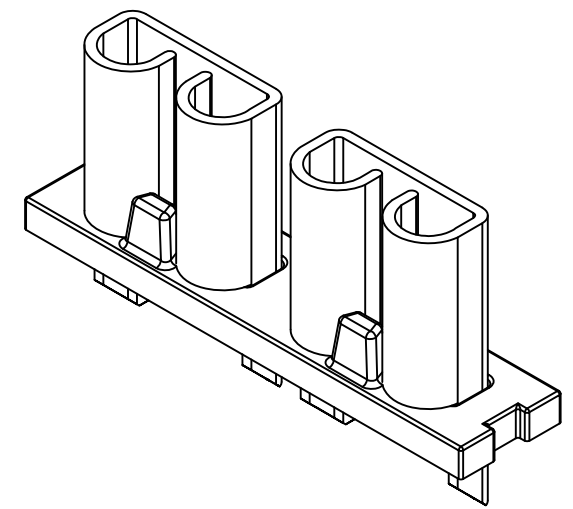


Recommend Mounting Hole

Characteristics:
 Voltage Rating: 250V
 Current Rating: 15A
 Insulation Resistance: 100MΩ Min. at 500VDC
 Dielectric Strength : AC 500 V Min.at 60s

Material: Brass, T=0.4mm, Tin Plated
 Fuse type: Medium Blade Fuse
 KLS5-270-xxx



GENERAL TOLERANCE	PROJECTION		Description:
.X ±1.00	UNITS	mm	32V Medium Blade Fuse Clip
.X ±0.50	SCALE	4:1	
.XX ±0.30	Draw by:	Daniel	
ANGLE TOLERANCE	Check by:	Daniel	KLS P/N: L-KLS5-718B-2P
±5°	Date	2022-09-01	NingBo KLS ELECTRONIC CO.,L TD.
	SHEET	1 OF 1	