

1 2 3 4 5 6

A

B

C

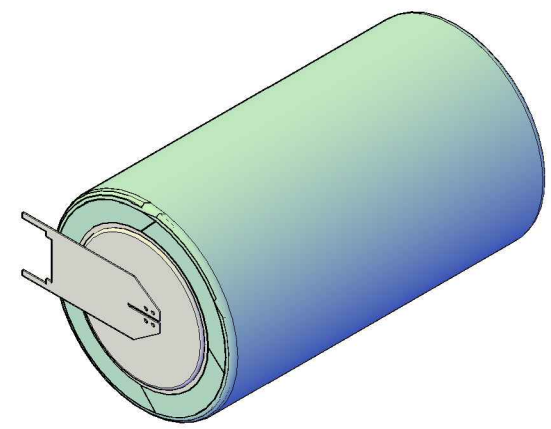
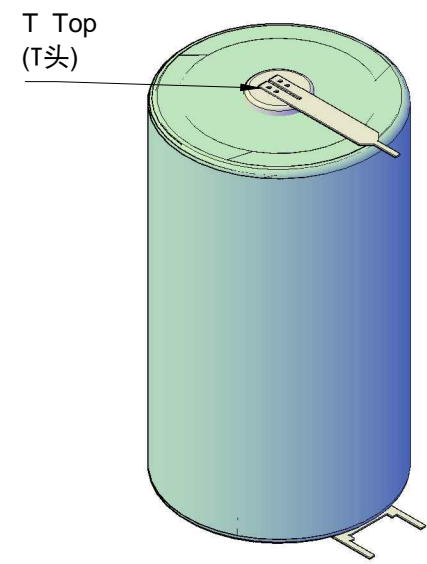
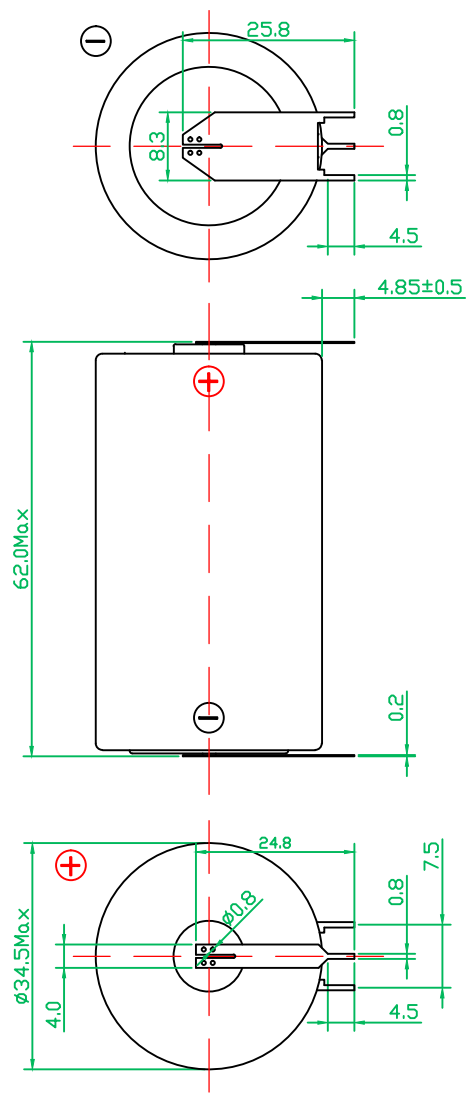
D

A

B

C

D



Remark(备注):

1. Cell(电芯): 3.6V 19000mAh.EEMB PVC,with date code(包EEMB PVC, 表面喷码)
2. Cathode/Anode tab: Stainless steel plated with nickel
正/负极焊片材质: 不锈钢镀镍
3. RoHS Compliant
严格按照ROHS要求生产

		Drawn:	YanF	Revise No.:	E4-2009
		Group:	Group23	Projection:	
Title		ER34615-VB	Approved1:	Page:	1/1
File NO.		A15715	Approved2:	Scale:	1.3 : 1
		Draw Date:	2018/05/29	Unit:	mm

1 2 3 4 5 6