



# Read/Write analog front end for 125kHz RFID Basestation

### Description

The EM4095 (previously named P4095) chip is a CMOS integrated transceiver circuit intended for use in an RFID basestation to perform the following functions:

- antenna driving with carrier frequency
- AM modulation of the field for writable transponder
- AM demodulation of the antenna signal modulation induced by the transponder

communicate with a microprocessor via simple interface.

- Data transmission by Amplitude Modulation with externally adjustable modulation index using single ended driver
- Multiple transponder protocol compatibility (Ex: EM400X, EM4050, EM4150, EM4070, EM4170, EM4069....)
- Sleep mode 1µA
- USB compatible power supply range
- 40 to +85°C temperature range
- Small outline plastic package SO16

### Features

- Integrated PLL system to achieve self adaptive carrier frequency to antenna resonant frequency
- No external quartz required
- 100 to 150 kHz carrier frequency range
- Direct antenna driving using bridge drivers
- Data transmission by OOK (100% Amplitude Modulation) using bridge driver

### Applications

- Car immobiliser
- Hand held reader
- Low cost reader

### Typical Operating Configuration

Read Only Mode

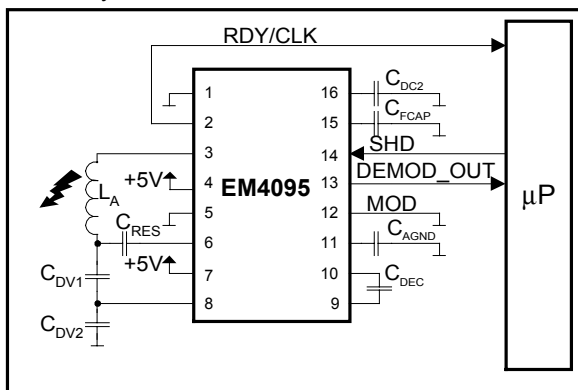


Fig. 1

### Pin Assignment

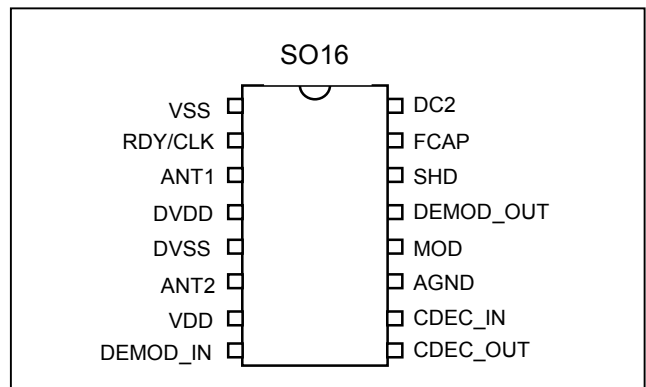


Fig. 3

### Read/Write Mode

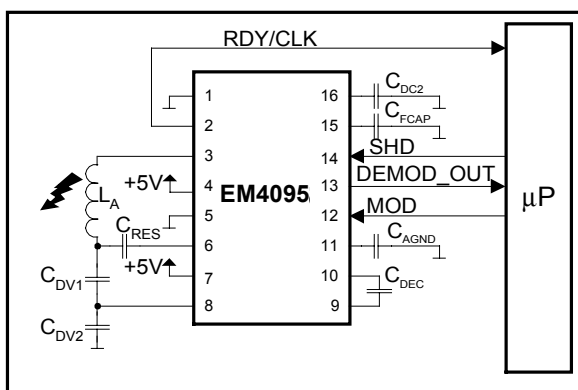


Fig. 2



# EM4095

## System principle

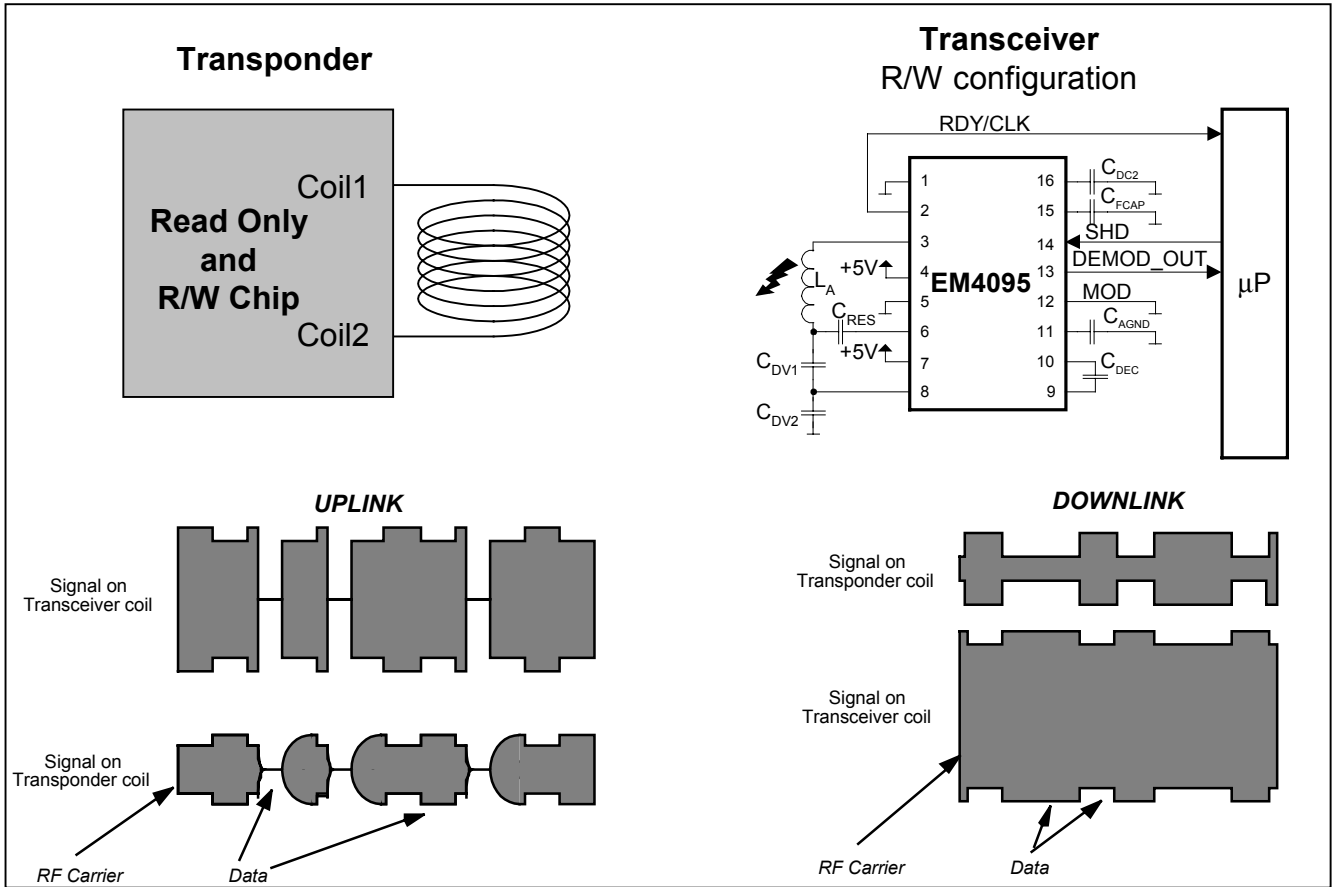


Fig. 4



# EM4095

## Absolute Maximum Ratings

| Parameter   | Symbol                   | Conditions    |
|---|--------------------------|---------------|
| Storage temperature   | $T_{STO}$                | -55 to +150°C |
| Maximum voltage at $V_{DD}$   | $V_{DDmax}$              | $V_{SS}+6V$   |
| Minimum voltage at $V_{DD}$   | $V_{DDmin}$              | $V_{SS}-0.3V$ |
| Max. voltage other pads   | $V_{MAX}$                | $V_{DD}+0.3V$ |
| Min. voltage other pads   | $V_{MIN}$                | $V_{SS}-0.3V$ |
| Max. junction temperature   | $T_{JMAX}$               | +125°C        |
| Electrostatic discharge max. to MIL-STD-883C method 3015 against $V_{SS}$   | $V_{ESD}$                | 4000V         |
| Electrostatic discharge max. to MIL-STD-883C method 3015 (only for pins ANT1 and ANT2) against $V_{SS}$           | $V_{ESD\_ANT}$           | 10000V        |
| Maximum Input/Output current on all pads except $V_{DD}$ , $V_{SS}$ , $DV_{DD}$ , $DV_{SS}$ , ANT1, ANT2, RDY/CLK | $I_{IMAX}$<br>$I_{OMAX}$ | 10mA          |
| Maximum AC peak current on ANT1 and ANT2 pads 100 kHz duty cycle 50%  | $I_{ANTmax}$             | 300mA         |

Stresses above these listed maximum ratings may cause permanent damages to the device. Exposure beyond specified operating conditions may affect device reliability or cause malfunction.

## Handling Procedures

This device has built-in protection against high static voltages or electric fields; however, anti-static precautions must be taken as for any other CMOS component. Unless otherwise specified, proper operation can only occur when all terminal voltages are kept within the voltage range. Unused inputs must always be tied to a defined logic voltage level.

## Operating Conditions

| Parameter                           | Symb          | Min | Typ  | Max  | Units |
|-------------------------------------|---------------|-----|------|------|-------|
| Operating junction temperature      | $T_J$         | -40 |      | +110 | °C    |
| Supply voltage                      | $V_{DD}$      | 4.1 | 5    | 5.5  | V     |
| Antenna circuit resonant frequency  | $F_{RES}$     | 100 | 125  | 150  | kHz   |
| AC peak current on ANT1 & ANT2 pads | $I_{ANT}$     |     |      | 250  | mA    |
| $C_{FCAP}$                          |               | *   | 10   | *    | nF    |
| $C_{DEC}$                           |               | *   | 100  | *    | nF    |
| $C_{DC2}$                           |               | *   | 6.80 | *    | nF    |
| $C_{AGND}$                          |               | 100 |      | 220  | nF    |
| Package thermal resistor SO16       | $R_{th\ j-a}$ | 69  | 70   | 71   | °C/W  |

\* ±10% tolerance capacitors should be used

\*\* According to 1S2P JEDEC test board

Due to antenna driver current the internal junction temperature is higher than ambient temperature. Please calculate ambient temperature range from max. antenna current and package Thermal Resistor. It is the user's responsibility to guarantee that  $T_J$  remains below 110°C.

Supply voltage ( $V_{DD}$  and  $DV_{DD}$  pads) must be blocked by a 100nF capacitor (to  $V_{SS}$ ) as close as possible to the chip



# EM4095

## Electrical and Switching Characteristics:

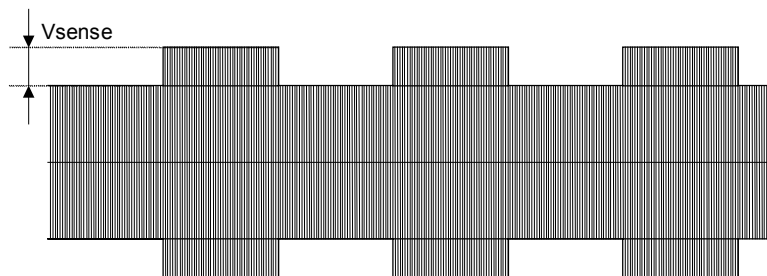
Parameters specified below are valid only in case the device is used according to Operating Conditions defined on previous page.

$V_{SS}=D_{VSS}=0V$ ,  $V_{DD} =D_{VDD} = 5V$ ,  $T_j = -40$  to  $110^{\circ}C$ , unless otherwise specified

| Parameter                                | Symbol        | Test Conditions    | Min            | Typ  | Max            | Units      |
|--|---------------|--------------------|----------------|------|----------------|------------|
| Supply current in sleep mode             | $I_{DDsleep}$ |                    |                | 1    | 2              | $\mu A$    |
| Supply current excluding drivers current | $I_{DDon}$    |                    |                | 5    | 7              | mA         |
| AGND level                               | $V_{AGND}$    | Note 1             | 2.35           | 2.5  | 2.65           | V          |
| <i>Logic signals SHD, MOD, DEMOD_OUT</i> |               |                    |                |      |                |            |
| Input logic high                         | $V_{IH}$      |                    | $0.8V_{DD}$    |      |                | V          |
| Input logic low                          | $V_{IL}$      |                    |                |      | $0.2V_{DD}$    | V          |
| Output logic high                        | $V_{OH}$      | $I_{SOURCE}=1mA$   | $0.9V_{DD}$    |      |                | V          |
| Output logic low                         | $V_{OL}$      | $I_{SINK}=1mA$     |                |      | $0.1V_{DD}$    | V          |
| MOD pull down resistor                   | $R_{PD}$      | $0.2V_{DD}$        | 20             | 50   | 90             | k $\Omega$ |
| SHD pull up resistor                     | $R_{PU}$      | $0.8V_{DD}$        | 20             | 50   | 90             | k $\Omega$ |
| <i>PLL</i>                               |               |                    |                |      |                |            |
| Antenna capture frequency range          | $F_{ANT\_C}$  |                    | 100            |      | 150            | kHz        |
| Antenna locking frequency range          | $F_{ANT\_L}$  |                    | 100            |      | 150            | kHz        |
| <i>Drivers</i>                           |               |                    |                |      |                |            |
| ANT drivers output resistance            | $R_{AD}$      | $I_{ANT}=100mA$    |                | 3    | 9              | $\Omega$   |
| RDY/CLK driver output resistance         | $R_{CL}$      | $I_{RDY/CLK}=10mA$ |                | 12   | 36             | $\Omega$   |
| <i>AM demodulation</i>                   |               |                    |                |      |                |            |
| DEMOD_IN common mode range               | $V_{CM}$      |                    | $V_{SS} + 0.5$ |      | $V_{DD} - 0.5$ | V          |
| DEMOD_IN input sensitivity               | $V_{sense}$   | Note 2             |                | 0.85 | 2              | mVpp       |

Note 1:  $A_{GND}$  is a EM4095 internal reference point. Any external connection except specified capacitor to  $V_{SS}$  may lead to device malfunction.

Note 2: Modulating signal 2KHz square wave on 125 kHz carrier, total signal inside  $V_{CM}$





# EM4095

## Timing Characteristics:

Parameters specified below are valid only in case the device is used according to Operating Conditions defined on previous page.

$V_{SS}=D_{VSS}=0V$ ,  $V_{DD}=D_{VDD} = 5V$

| Parameter   | Symbol     | Test Conditions   | Typ | Max | Units   |
|---|------------|---|-----|-----|---------|
| Set-up time after a sleep period                    | $T_{set}$  |   | 25  | 35  | ms      |
| Time from full power to modulation state            | $T_{mdon}$ | antenna circuit specifications:<br>$Q=15, F_{RES}=125KHz$<br>modulation index: 100% |     | 50  | $\mu s$ |
| AM demodulation: Delay time from input to output    | $T_{pd}$   | Modulating signal 2KHz square wave 10mVpp   | 40  | 100 | $\mu s$ |
| Recovery time of reception after antenna modulation | $T_{rec}$  | Note 1  | 400 | 500 | $\mu s$ |

Note 1: RF period is time of one period transmitted on ANT outputs (at 125 kHz  $8\mu s$ ).  $T_{rec}$  after antenna modulation receiver chain is ready to demodulate. The condition is of course that the amplitude on antenna has already reached its steady state by that time (this depends on Q of antenna). See also Application Notes.

## Block Diagram

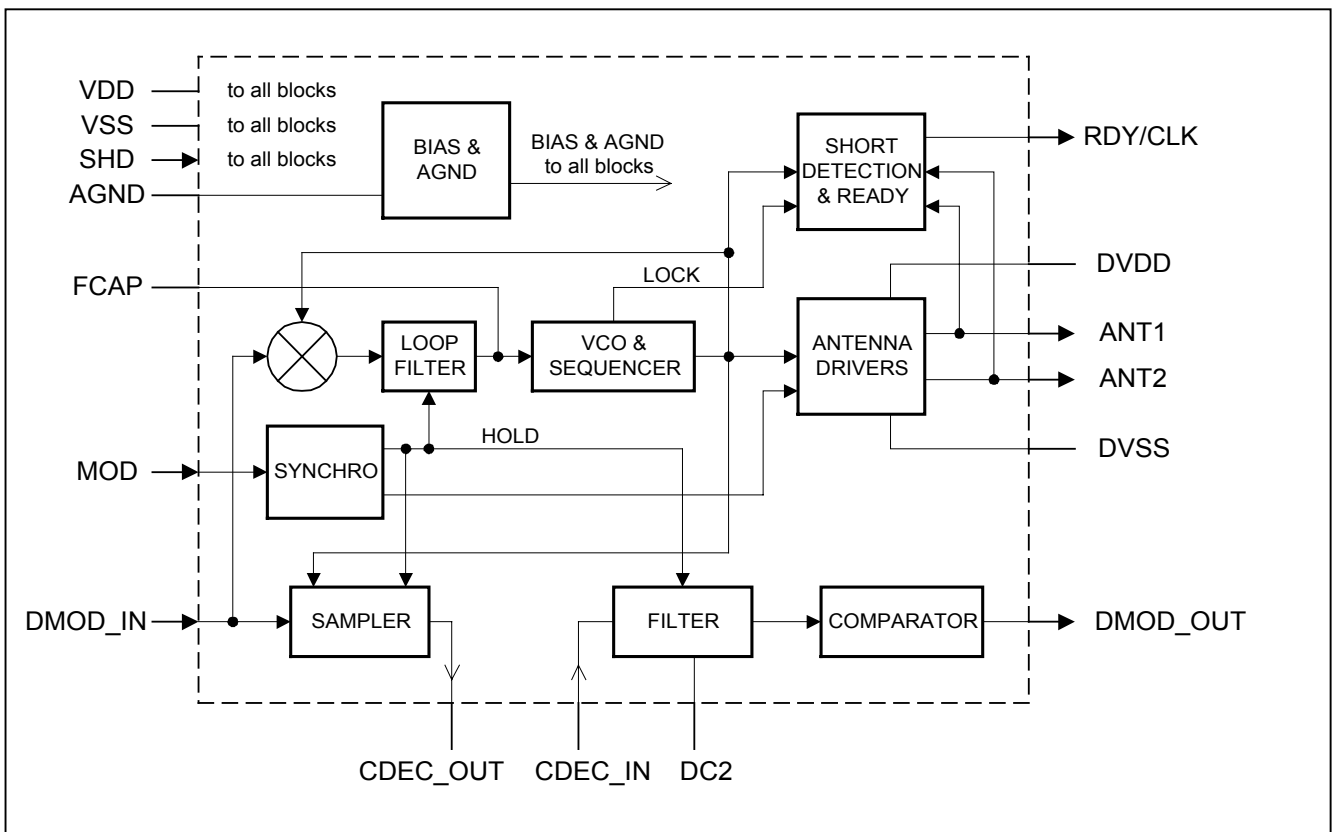


Fig. 5



# EM4095

## Functional Description

### General

The EM4095 is intended to be used with an attached antenna circuit and a microcontroller. Few external components are needed to achieve DC and RF filtering, current sensing and power supply decoupling.

A stabilised power supply has to be provided. Please refer to EM4095 Application Notes for advice.

Device operation is controlled by logic inputs SHD and MOD. When SHD is high EM4095 is in sleep mode, current consumption is minimised. At power up the input SHD has to be high to enable correct initialisation. When SHD is low the circuit is enabled to emit RF field, it starts to demodulate any amplitude modulation (AM) signal seen on the antenna. This digital signal coming from the AM demodulation block is provided through DEMOD\_OUT pin to the microcontroller for decoding and processing.

High level on MOD pin forces in tri-state the main antenna drivers synchronously with the RF carrier. While MOD is high the VCO and AM demodulation chain are kept in state before the MOD went high. This ensures fast recovery after MOD is released. The switching ON of VCO and AM demodulation is delayed by 41 RF clocks after falling edge on MOD. In this way the VCO and AM demodulation operating points are not perturbed by start-up of antenna resonant circuit.

### Analog Blocks

The circuit performs the two functions of an RFID basestation, namely: transmission and reception. Transmission involves antenna driving and AM modulation of the RF field. The antenna drivers deliver a current into the external antenna to generate the magnetic field.

Reception involves the AM demodulation of the antenna signal modulation induced by the transponder. This is achieved by sensing the absorption modulation applied by the tag (transponder).

### Transmission

Referring to the block diagram, transmission is achieved by a Phase Locked Loop (PLL) and the antenna drivers.

### Drivers

The antenna drivers supply the reader basestation antenna with the appropriate energy. They deliver current at the resonant frequency which is typically 125 kHz. Current delivered by drivers depends on Q of external resonant circuit.

It is strongly recommended that design of antenna circuit is done in a way that maximum peak current of 250 mA is never exceeded (see Typical Operating Configuration for antenna current calculation). Another limiting factor for antenna current is Thermal Convection of package. Maximum peak current should be designed in a way that internal junction temperature does not exceed maximum junction temperature at maximum application ambient temperature. 100% modulation (field stop) is done by switching OFF the drivers. The ANT drivers are protected against antenna DC short circuit to the power supplies. When a short circuit has been detected the RDY/CLK pin is pulled low while the main driver is forced in tri-state. The circuit can be restarted by activating the SHD pin.

### Phase locked loop

The PLL is composed of the loop filter, the Voltage Controlled Oscillator (VCO), and the phase comparator blocks. By using an external capacitive divider, pin DEMOD\_IN gets information about the actual high voltage signal on antenna.

Phase of this signal is compared with the signal driving antenna drivers. Therefore the PLL is able to lock the carrier frequency to the resonant frequency of the antenna. Depending on the antenna type the resonant frequency of the system can be anywhere in the range from 100 kHz to 150 kHz. Wherever the resonant frequency is in this range it will be maintained by the Phase Lock Loop.

### Reception

The demodulation input signal for the reception block is the voltage sensed on the antenna. DEMOD\_IN pin is also used as input to Reception chain. The signal level on the DEMOD\_IN input must be lower than  $VDD-0.5V$  and higher than  $VSS+0.5V$ . The input level is adjusted by the use of an external capacitive divider. Additional capacitance of divider must be compensated by accordingly smaller resonant capacitor. The AM demodulation scheme is based on the "AM Synchronous Demodulation" technique.

The reception chain is composed of sample and hold, DC offset cancellation, bandpass filter and comparator. DC voltage of signal on DEMOD\_IN is set to AGND by internal resistor. The AM signal is sampled, the sampling is synchronised by a clock from VCO. Any DC component is removed from this signal by the CDEC capacitor. Further filtering to remove the remaining carrier signal, high and low frequency noise is made by second order highpass filter and CDC2. The amplified and filtered receive signal is fed to asynchronous comparator. Comparator output is buffered on output pin DEMOD\_OUT.

## Signal RDY/CLK

This signal provides the external microprocessor with clock signal which is synchronous with the signal on ANT1 and with information about EM4095 internal state. Clock signal synchronous with ANT1 indicates that PLL is in lock and that Reception chain operation point is set. When SHD is high RDY/CLK pin is forced low. After high to low transition on SHD the PLL starts-up, and the reception chain is switched on. After time  $T_{SET}$  the PLL is locked and reception chain operation point has been established. At this moment the same signal which is being transmitted to ANT1 is also put to RDY/CLK pin indicating to microprocessor that it can start observing signal on DEMOD\_OUT and giving at the same time reference clock signal. Clock on RDY/CLK pin is continuous, it is also present during time the ANT drivers are OFF due to high level on MOD pin. During the time  $T_{SET}$  from high to low transition on SHD pin RDY/CLK pin is pulled down by 100 k $\Omega$  pull down resistor. The reason for this is in additional functionality of RDY/CLK pin in case of AM modulation with index which is lower than 100%. In that case it is used as auxiliary driver which maintains lower amplitude on coil during modulation. (see also Typical Operating Configuration)

Remark: Please refer to AN4095 for external components calculation and limits.

## Typical Operating Configuration

### Read Only Mode

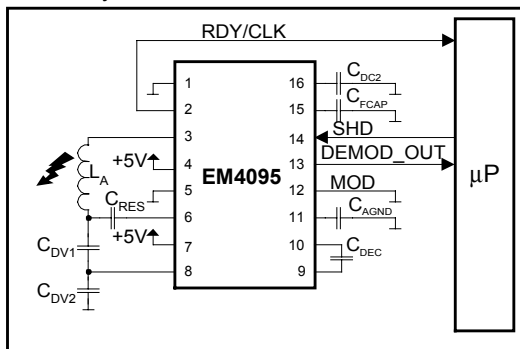


Fig. 6

### Read/Write mode (Low Q factor antenna)

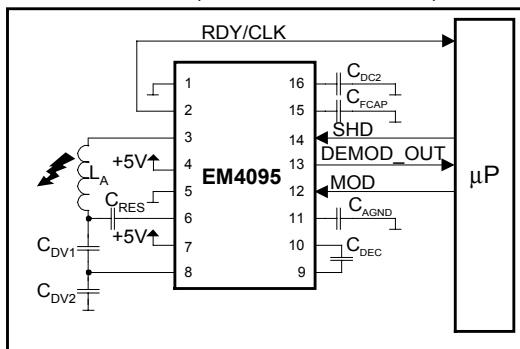


Fig. 7

### Read/Write mode (High Q factor antenna)

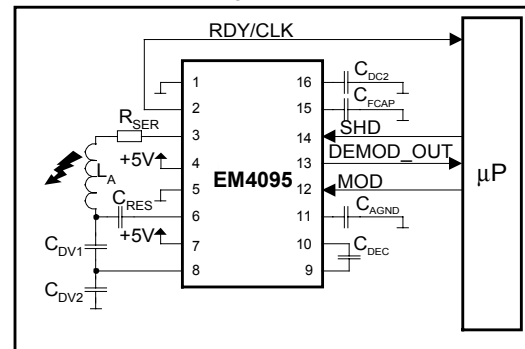


Fig. 8

### Read/Write mode (AM modulation)

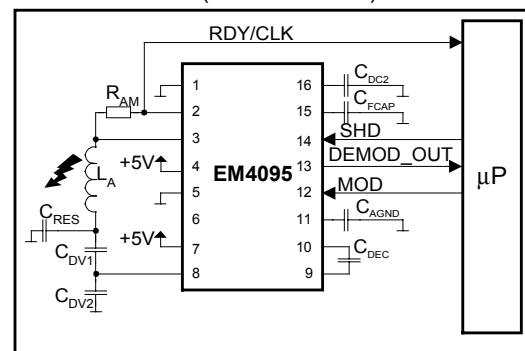


Fig. 9

Figure 6 presents EM4095 used in Read Only mode. Pin MOD is not used. It is recommended to connect it to VSS.

Figure 7 presents typical R/W configuration for OOK communication protocol reader to transponder (eg. EM4150). It is recommended to be used with low Q factor antennas (up to 15).

When the antenna quality is high using configuration of figure 6 or 7 the voltage on antenna can arrive in the range of few hundred volts and antenna peak current may exceed its maximum value. In such a case the capacitive divider ratio has to be high thus limiting the sensitivity. For such case it is better to reduce antenna circuit quality by adding serial resistor. In this way the antenna current is lower and thus power dissipation of IC is reduced with practically the same performance (Fig. 8).

In the case AM modulation communication protocol reader to transponder (eg. EM4069) is needed a single ended configuration has to be used (figure 9). When pin MOD is pulled high driver on ANT1 is put in three state, driver RDY/CLK continues driving thus maintaining lower antenna current. Modulation index is adjusted by resistor  $R_{AM}$ . As mentioned above RDY/CLK signal becomes active only after the demodulation chain operating point is set.

Before it is pulled down by high impedance pull down resistor (100 k $\Omega$ ) in order not to load ANT1 output. In the case of AM modulation configuration the total antenna current change at the moment RDY/CLK pin becomes active, so external microprocessor has to wait another  $T_{SET}$  before it can start observing DEMOD\_OUT.

Read Only mode with external peak detector

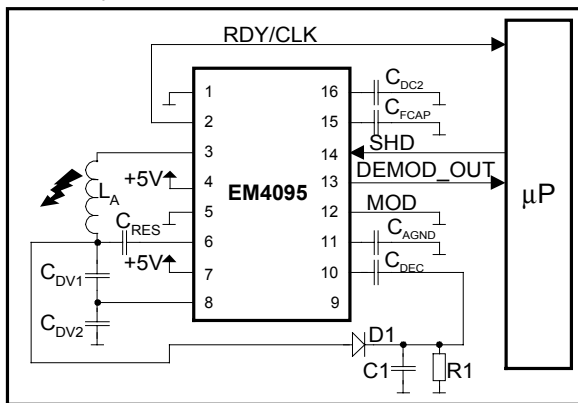


Fig. 10

Read/Write mode with external peak detector

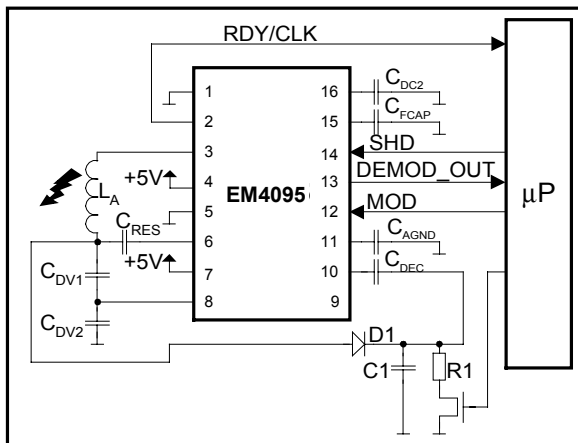


Fig. 11

As mentioned above for high Q antennas the voltage on antenna is high and read sensitivity is limited by demodulator sensitivity due to capacitive divider. Read sensitivity (and thus reading range) can be increased by using external envelope detector circuit. Input is taken on antenna high voltage side output is directly fed to CDEC\_IN pin. However, the capacitor divider is still needed for PLL locking. Such configuration is shown in figure 5, the envelope detector is formed by three components: D1, R1 and C1.

The configuration presented in figure 9 may also be used for read write applications but it has a drawback in the case fast recovery of reading is needed after communication reader to transponder is finished. The reason is in fact that DC voltage after diode D1 is lost during modulation and it takes very long time before it is established again.

Figure 10 presents a solution to that problem. A high voltage NMOS transistor blocks the discharge path during modulation, so operating point is preserved. The signal controlling NMOS gate has to be put low synchronously with signal MOD, but it can be put high only after the amplitude on antenna has recovered after modulation.

### PCB Layout

Refer to "EM4095 Application Note" (App. Note 404)





# EM4095

## Pin Description

### SOIC 16 package

| Pin | Name             | Description   | Type |
|-----|------------------|---|------|
| 1   | V <sub>SS</sub>  | Negative power supply (substrate)                       | GND  |
| 2   | RDY/CLK          | Ready flag and clock output, driver for AM modulation   | O    |
| 3   | ANT1             | Antenna driver  | O    |
| 4   | V <sub>VDD</sub> | Positive power supply for antenna drivers               | PWR  |
| 5   | D <sub>VSS</sub> | Negative power supply for antenna drivers               | GND  |
| 6   | ANT2             | Antenna driver  | O    |
| 7   | V <sub>DD</sub>  | Positive power supply                                   | PWR  |
| 8   | DEMOD_IN         | Antenna sensing voltage                                 | ANA  |
| 9   | CDEC_OUT         | DC blocking capacitor connection « out »                | ANA  |
| 10  | CDEC_IN          | DC blocking capacitor connection « in »                 | ANA  |
| 11  | A <sub>GND</sub> | Analog ground   | ANA  |
| 12  | MOD              | A High level voltage modulates the antenna              | IPD  |
| 13  | DEMOD_OUT        | Digital signal representing the AM seen on the antenna  | O    |
| 14  | SHD              | A High level voltage forces the circuit into sleep mode | IPU  |
| 15  | FCAP             | PLL Loop filter capacitor                               | ANA  |
| 16  | DC2              | DC decoupling capacitor                                 | ANA  |

GND: reference ground

PWR: power supply

ANA: analog signal

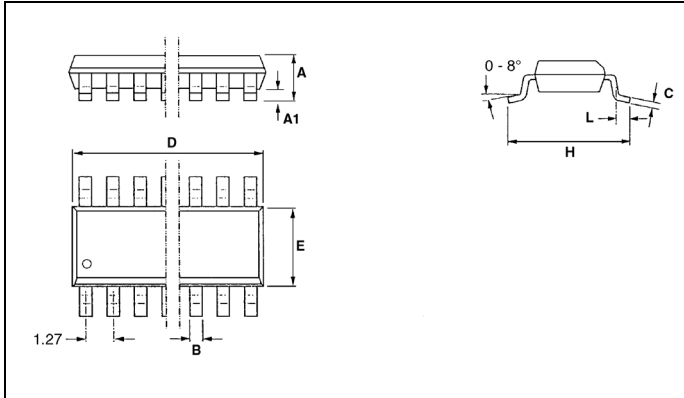
IPD: input with internal pull down

IPU: input with internal pull up

O: output

## Package and Ordering Information

### Dimensions of SOIC 16 Package (table in millimeters)



| Symbol | Common Dimensions (mm) |      |      |
|--------|------------------------|------|------|
|        | Min                    | Nom  | Max  |
| A      | 1.55                   | 1.63 | 1.73 |
| A1     | 0.127                  | 0.15 | 0.25 |
| B      | 0.35                   | 0.41 | 0.49 |
| C      | 0.19                   | 0.20 | 0.25 |
| D      | 9.80                   | 9.93 | 9.98 |
| E      | 3.81                   | 3.94 | 3.99 |
| H      | 5.84                   | 5.99 | 6.20 |
| L      | 0.41                   | 0.64 | 0.89 |

Fig. 12

## Ordering Information

Please make sure to give the complete part number when ordering.  
The EM4095 is available in the following package:

| Part Number   | Package         | Delivery Form |
|---------------|-----------------|---------------|
| EM4095HMSO16A | SOIC 16 package | stick         |

## Product Support

Check our Web Site under Products/RF Identification section.  
Questions can be sent to [cid@emmicroelectronic.com](mailto:cid@emmicroelectronic.com)



## Appendix

### Equations

Antenna resonant frequency  $f_0$ :

$$f_0 = \frac{1}{2\pi\sqrt{L_A C_0}} \quad (1)$$

Where  $C_0$  is resonant capacitor composed of  $C_{RES}$ ,  $C_{DV1}$  and  $C_{DV2}$ :

$$C_0 = C_{RES} + \frac{C_{DV1} * C_{DV2}}{C_{DV1} + C_{DV2}} \quad (2)$$

Usually antenna coil is specified by its inductance ( $L_A$ ) and Q factor ( $Q_A$ ). Serial resistance of antenna is defined by following equation:

$$R_{ANT} = \frac{2\pi f_0 L_A}{Q_A} \quad (3)$$

The equations which follow are valid for bridge configuration as defined on Figures 1, 2 and 3. For figures 1 and 2  $R_{SER}$  has to be considered 0.

The AC current amplitude at resonant frequency is defined as follows:

$$I_{ANT} = \frac{4}{\pi} \frac{V_{dd} - V_{ss}}{R_{ANT} + R_{SER} + 2R_{AD}} \quad (4)$$

RMS antenna current (important for power dissipation calculation):

$$I_{RMS} = \frac{I_{ANT}}{\sqrt{2}} \quad (5)$$

Peak to peak voltage on antenna is defined by following equation:

$$V_{ANTpp} = \frac{I_{ANT}}{\pi f_0 C_0} \quad (6)$$

To ensure correct operation of the AM demodulation chain, the AC peak to peak voltage on DEMOD\_IN pin ( $V_{DMOD\_INpp}$ ) has to be inside common mode range. Once peak to peak voltage on antenna is known the capacitor divider division factor can be calculated:

$$V_{DMOD\_INpp} = V_{ANTpp} \frac{C_{DV1}}{C_{DV1} + C_{DV2}} \quad (7)$$

Power dissipation is composed of power dissipated on ANT drivers and internal power consumption:

$$P = 2 \cdot I_{RMS}^2 \cdot R_{AD} + I_{DDon} (V_{DD} - V_{SS}) \quad (7)$$

Temperature increase of die due to power dissipation is:

$$\Delta T = P \cdot R_{Th} \quad (8)$$

Where  $R_{Th}$  is Package thermal resistor.

EM Microelectronic-Marin SA cannot assume responsibility for use of any circuitry described other than circuitry entirely embodied in an EM Microelectronic-Marin SA product. EM Microelectronic-Marin SA reserves the right to change the circuitry and specifications without notice at any time. You are strongly urged to ensure that the information given has not been superseded by a more up-to-date version.