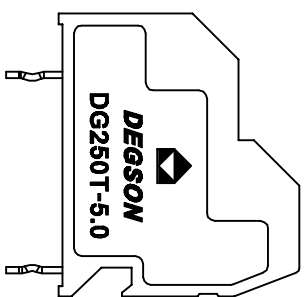
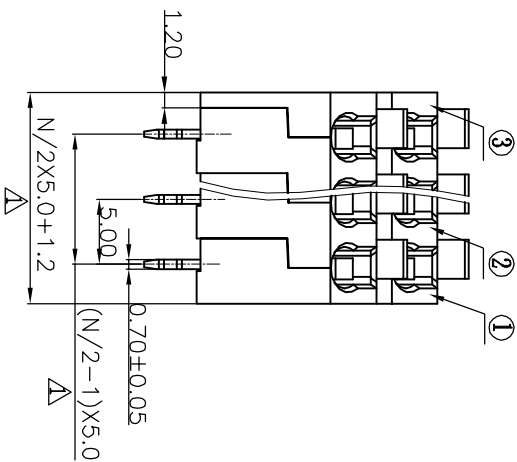
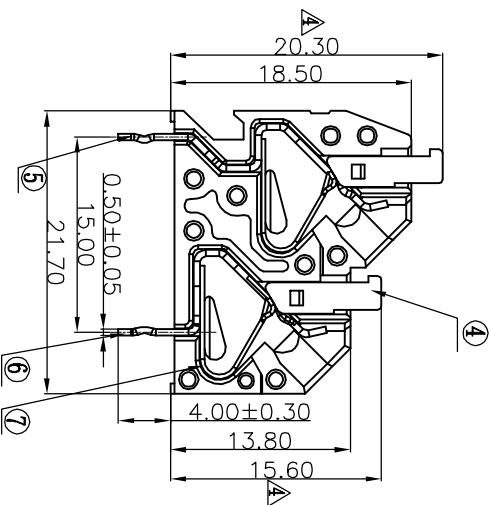
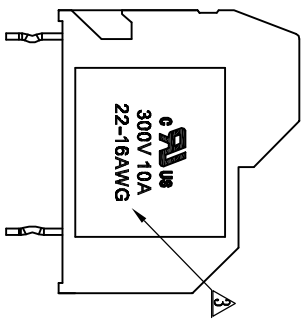
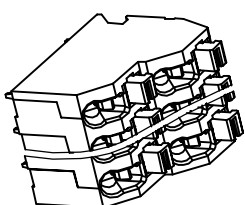
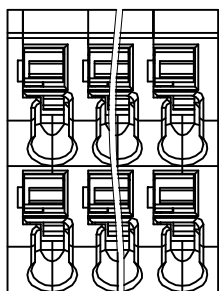


REVISION RECORD

REV	ECO	DESCRIPTION	DRFT	DATE
1		规格变更: 改为每个插脚代差一档	Amada	11/30/07
2		品名、料号增加环保标示“(H)”	LJH	12/08/07
3		增加刻字	C SX	02/25/08
4		工程变更修改板尺寸	WJLM	11/26/08



- Notes:
1. Pitch: 5.0mm, Poles: XXP
 2. Rated voltage/current: UL 300V/10A IEC 250V/17.5A
 3. Operation temperatures: -40℃~+105℃
 4. Withstanding Voltage: AC2000V/1Min
 5. Insulation Resistance: 5000MΩ/DC1000V
 6. Wire Range: 16~22AWG, 1.5mm²
 7. Undimensioned Tolerances:

Pitch range in mm	Nominal dimension range in mm	—
over 6 to 10	over 30 to 60	over 100 to 150
10 to 24	30 to 60	100 to 150
H0.10 to H0.15	H0.25±0.2 to ±0.3	H0.5±0.7 to ±1.0

7	6	5	4	3	2
DG250T-5.0-spring	X000001460 (H)	XX	stainless steel		
DG250T-5.0-short pin	3019800020 (H)	XX/2	Copper	Since plated	
DG250T-5.0-long pin	3019800010 (H)	XX/2	Copper	Since plated	
DG250T-5.0-button	301900101A (H)	XX	PA66	UL94V-0	
DG250T-5.0-left cover	301900101A (H)	1	PA66	UL94V-0	
DG250T-5.0-housing	3019A0101A (H)	XX/2-1	PA66	UL94V-0	

ITEM 1	DG250T-5.0-Tight cover	NO. OF PART 301900101B (H)	Q'TY 1	PART PA66	NOTES UL94V-0
DETACHED LISTS					
TOLERANCES EXCEPT AS NOTED		DATE 03/22/07	DATE 03/22/07		
MM	±	DATE	DATE		
0.05 ±	±	APPROV	DATE		
0.00 ±	±	MATERIAL :			
ANGLES ± 1°		G.E. :			
THIRD ANGLE PROJECTION		FINISH :			
SCALE : 1:1		DO NOT SCALE DRAWING			



NAME: DG250T-5.0-XXP-1Y-00A(H)

DRAWING NO. DG250T-5.0-E01

SIZE: A3