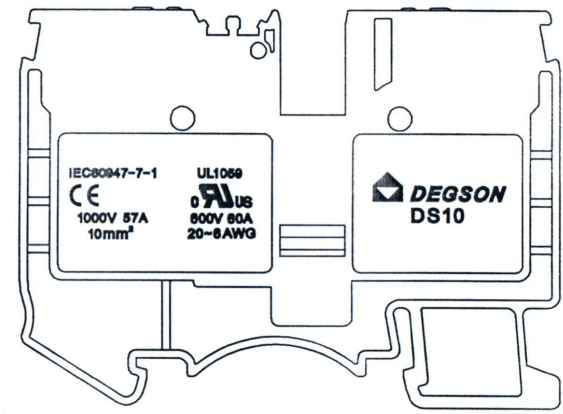
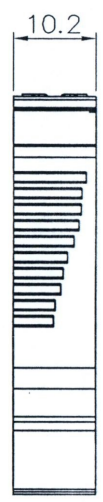
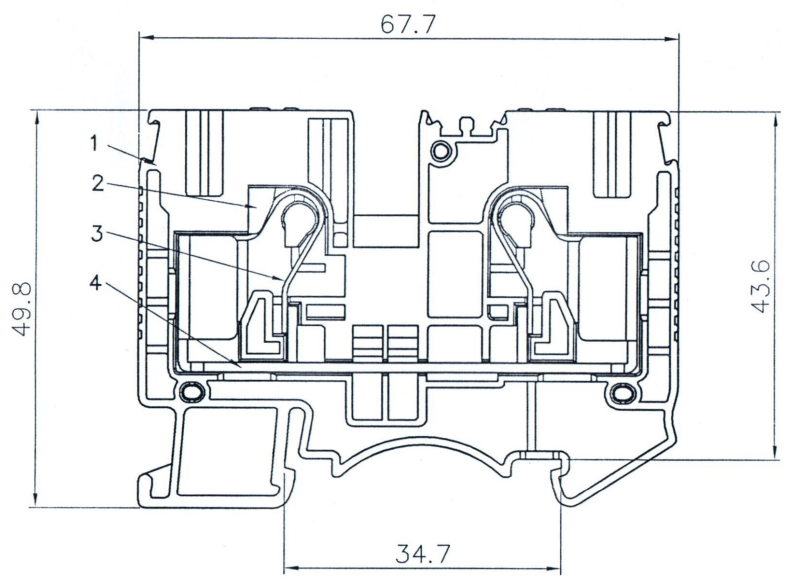
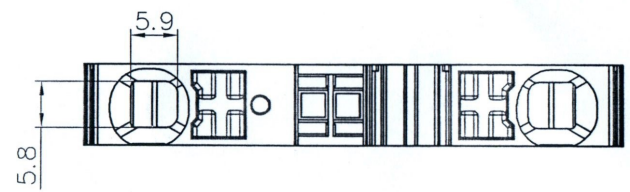


REVISION RECORD				
REV	ECN	DESCRIPTION	DRFT	DATE

仅供参考图
 签字: *[Signature]*
 日期: 7/18/16



NOTES1:

UL Standard

1. Rated Voltage/Current : 600V / 60A
2. Withstanding Voltage : AC2200V/1Min.
3. Wire Range : 20~6AWG

IEC Standard

1. Pollution Degree	3
Overvoltage Category	III
Rate Impulse Voltage(KV)	8.0KV
Rate Voltage(V)	1000V
Rate Current(A)	57A

2. Wire Range : 0.5~10mm²&16mm²(sol)

NOTES2:

1. Dimension shall be interpreted per ASME Y14.5-2009
2. Pitch : 10.2mm, Poles : N=01P
3. Stripping length : 16-18mm
4. Operating temperature: -40°C~+105°C
5. Undimensioned Tolerances:

Pitch Range In mm		Nominal Dimension Range In mm							□	○	◇
TO	Over	TO	Over	TO	Over	TO	Over	TO	Over		
6	10	10	24	30	60	100	150	6	10	0.1/10	
±0.15	±0.20	±0.30	±0.30	±0.50	±0.70	±1.00	±1.30			±2°	

6. RoHS Compliance

ITEM	NAME OF PART	Q"TY	MATERIAL	NOTES
4	DS10-00A CURRENT CARRIER	1	COPPER	Sn plated
3	DS10-00A SPRING	2	STAINLESS STEEL	
2	DS10-00A BUTTON	2	POM	UL94V-2
1	DS10-00A HOUSING	1	PA66	UL94V-0

DETACHED LISTS	PART NO.: /	宁波高松电子有限公司 NINGBO DEGSON ELECTRICAL CO., LTD		
	APPD: <i>Alan 07/18/16</i>	NAME: DS10-01P-1Y-00A(H)		
	CHKD: <i>Baron 2016.7.18</i>	TITLE: CUSTOMER DRAWING		
	DRFT: <i>ding 04/14/16</i>	REV	D0-1	
	THIRD ANGLE PROJECTION	DRAWING NO.: DS10-C01	SHEET	1/1
	MM (INCH)	DO NOT SCALE DRAWING	SCALE	1:1