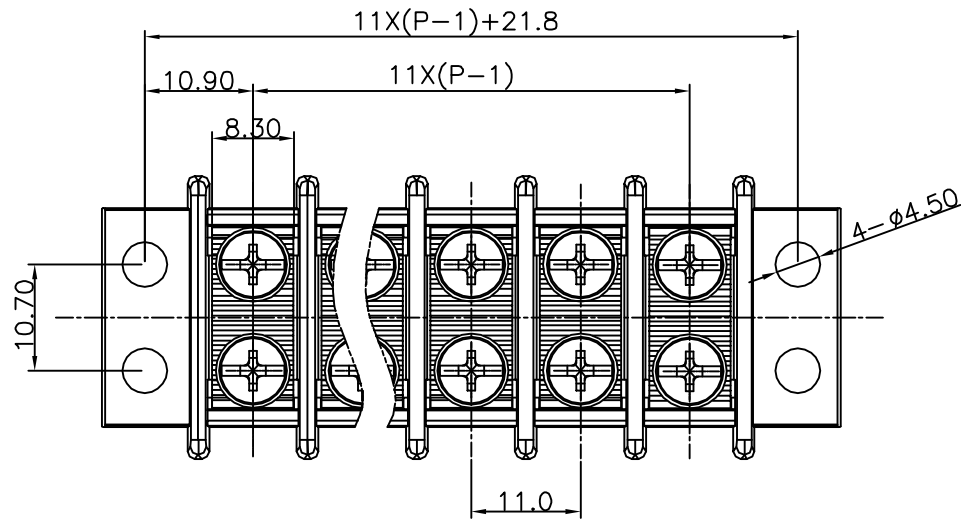


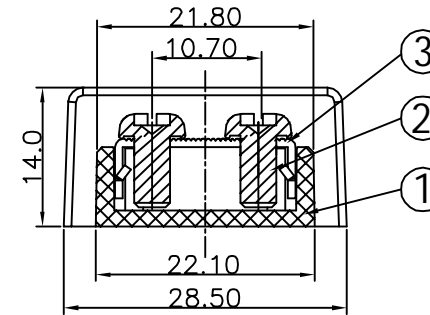
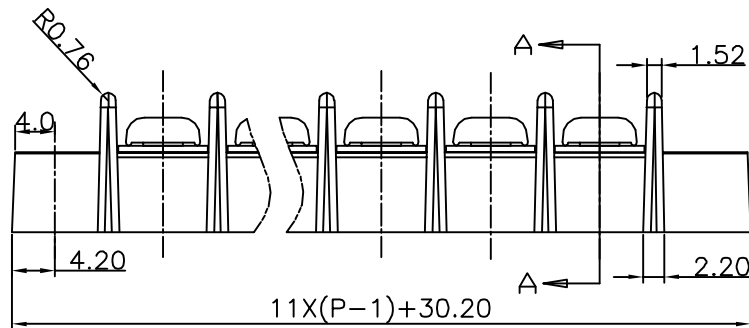
REVISION RECORD					
REV	ECO	DESCRIPTION	DRFT	DATE	
△		產品名稱由:3569-XP-1Y-00A 變更為:3069-A-XP-1Y-00A	Zhuwm	06/30/'05	
△		圖面更新	CSX	03/06/'06	
△		增加UL刻字	CSX	04/03/'07	
△		品名、料號增加環保標識“(H)”	YeJ	12/08/07*	
△	39-0116	增加CCC刻字	GHY	11/24/09*	



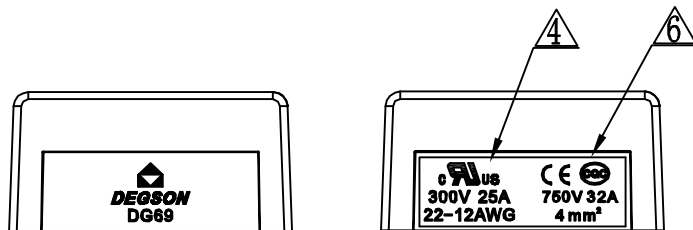
NOTES:

1. Temp. Range: -40° C~+80° C;
2. Withstand Voltage: AC2000V/1Min;
3. Rated current: 25A
4. Rated voltage: 300V
5. Insulation Resistance: 5000MΩ /DC500V;
6. Max. Torque Value: 8.16kgf. cm.

Pitch range in mm		Nominal dimension range in mm						
over to	over to	over to	over to	over to	over to	over to		
6 to 6	6 to 10	10 to 24	30 to 30	30 to 60	60 to 100	100 to 150	150 to 150	
±0.10	±0.15	±0.25	±0.2	±0.3	±0.5	±0.7	±1.0	
							0.05/10	



SECTION A-A



3	DG49 MB. 5*6 Screw	S000000770(H)	2XX	Steel	Ni-Plated
2	DG69 pin header	5033B00010(H)	XX	Brass	Tin-Plated
1	DG69 housing	5033M0YXXA(H)	1	PC	UL94V-2
ITEM	NAME OF PART	NO. OF PART	Q'TY	MATERIAL	NOTES

DETACHED LISTS	MM (INCH)	DFTO Zhuwm	DATE 06/30/'05	宁波高正电子有限公司 DEGSON ELECTRONICS CO., LTD NAME: DG69-A-XXP-1Y-00A(H)	
	TOLERANCES EXCEPT AS NOTED	CHKD	DATE		
		MFO	DATE		
		APPVL	DATE		
		MATERIAL :			
	ANGLES ± 1°	G.E :		DRAWING NO. DG69-E01	SIZE A3
	THIRD ANGLE PROJECTION	FINISH :		/PART NO.	REV T6
		SCALE : 1:1		DO NOT SCALE DRAWING	11/24/09*
				SHEET 1	OF 1