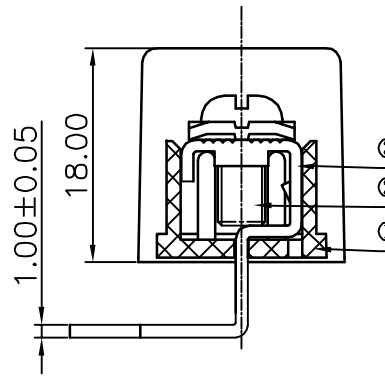
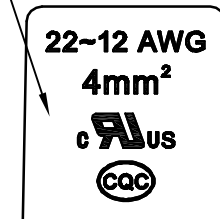


REVISION RECORD					
REV	ECO	DESCRIPTION	DRFT	DATE	
△		图面更新	HW	06/05/06'	
△		增加UL刻字	CSX	11/21/06''	
△		品名、料号增加环保标识“(H)”	YeJ	12/08/07''	

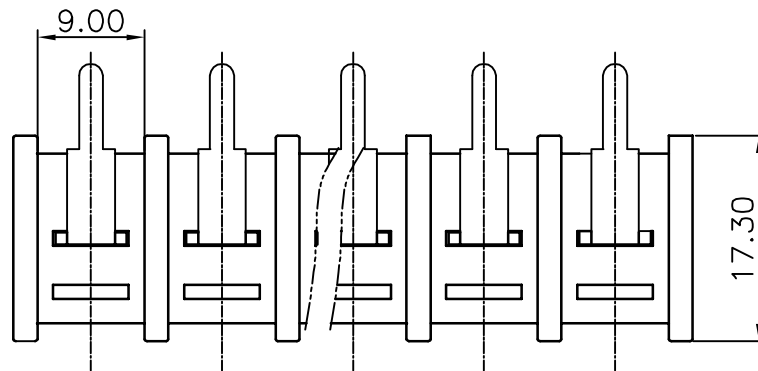
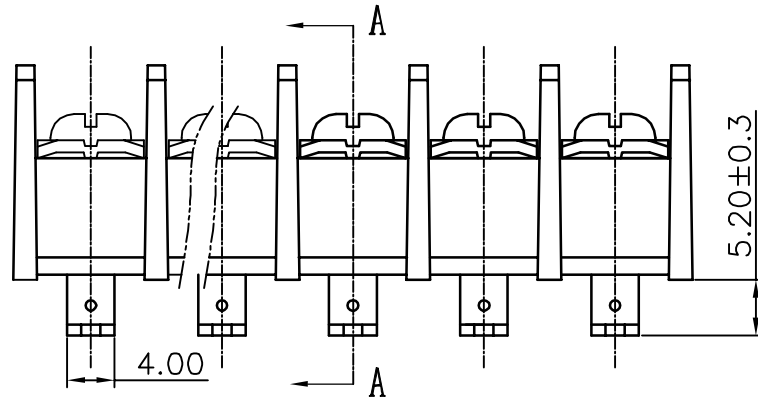
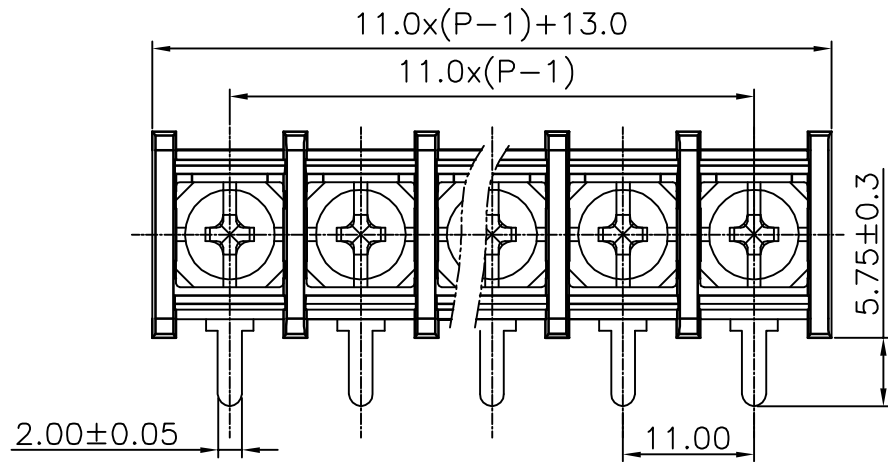
Notes:

1. Pitch: 11.0mm Pole: 2-22P
2. Rated current: 20A
3. Rated voltage: 300V
4. Operation temperatures: -40°C ~ +105°C
5. Withstanding Voltage: AC2000V/1Min
6. Insulation Resistance: 500MΩ / DC500V
7. Wire Range: 22~12AWG
8. Max. Torque Value: 12. 24kgf. cm.
9. Undimensioned Tolerances:

Pitch range in mm			Nominal dimension range in mm					
to	over		to	over	over	over		
6	6 to 10	10 to 24	30	30 to 60	60 to 100	100 to 150	150	
±0.10	±0.15	±0.25	±0.2	±0.3	±0.5	±0.7	±1.0	
							0.05/10	



SECTION A-A



3	4#8 big cover and bright Screws	S000000580 (H)	XX	Steel	Ni plated
2	DG65R Pin header	5005B00070 (H)	XX	Brass	SnCe
1	DG65R-B housing	5005A0YXXA (H)	1	PA66	UL94V-0
ITEM	NAME OF PART	NO. OF PART	Q'TY	MATERIAL	NOTES

DETACHED LISTS	MM (INCH)	DFTO Haoyh	DATE 03/19/04''	宁波高正电子有限公司 DEGSON ELECTRONICS CO., LTD NAME DG65R-B-XXP-1Y-00A(H) DRAWING NO. DG65R-E01 SIZE A4 REV T4 /PART NO. 12/08/07'' DO NOT SCALE DRAWING SHEET 1 OF 1		
	TOLERANCES EXCEPT AS NOTED		CHKD			DATE
	MM	±	MFO			DATE
	.0 ±	±	APPVL			DATE
	.000 ±	±	MATERIAL :			
ANGLES ± 1°		G.E :				
THIRD ANGLE PROJECTION		FINISH :				
		SCALE : 1:1				