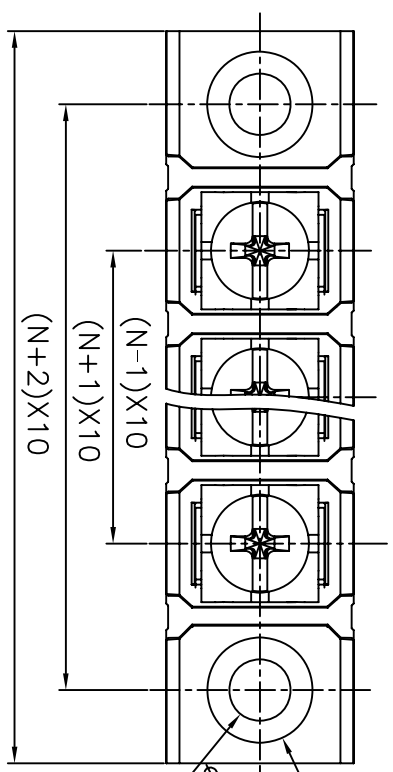
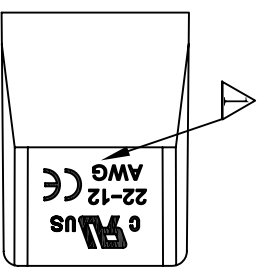
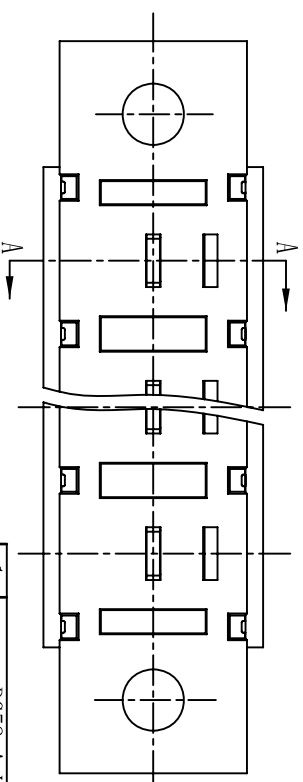
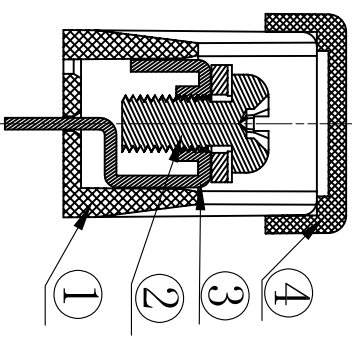
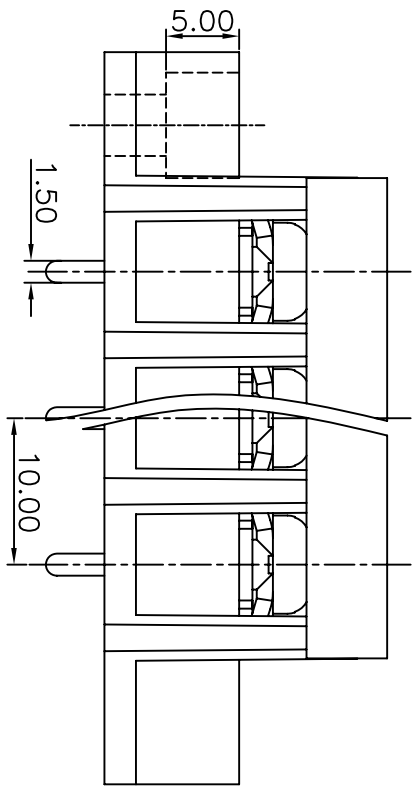
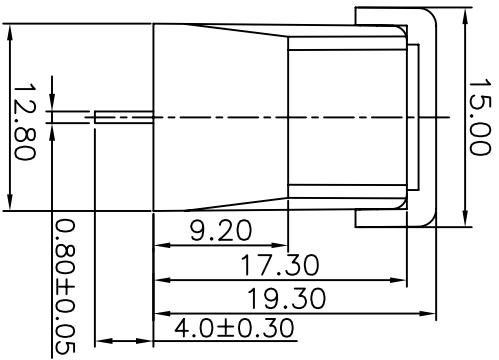


REVISION RECORD			
REV	ECO	DESCRIPTION	DRFT DATE
△		增加匝数	CSX 03/13/07
△		品名、料号增加环保标识“(H)”	YeJ 12/08/07



- Notes:
1. Pitch: 10mm, Poles: 2-20P
 2. Rated current: 20A
 3. Rated voltage: 300V
 4. Operation temperatures: -40° C~+105° C
 5. Insulation Withstand Voltage: AC2000V/Min
 6. Insulation Resistance: 500MΩ /DC500V
 7. Wire Range: 22~14AWG
 8. Max. Torque Value: 12.24kgf.cm
 9. Undimensioned Tolerances:

Pitch range in mm		Nominal dimension range	
over	tolerance	over	tolerance
6 to 10	±0.10	6 to 10	±0.150
10 to 24	±0.15	10 to 30	±0.150
24 to 30	±0.20	30 to 60	±0.150
30 to 60	±0.25	60 to 100	±0.200
60 to 100	±0.30	100 to 150	±0.250
100 to 150	±0.35	150 to 200	±0.300
150 to 200	±0.40	200 to 250	±0.350
200 to 250	±0.45	250 to 300	±0.400



4	DG58-Cover	5008C07XXA (H)	1	PC	Snce plated
3	DG58C Pin header	5008B0010 (H)	XX	Brass	Ni plated
2	M4*8 (7.5*7.5) bright Screws	S000000570 (H)	XX	Steel	Ni plated

1	DG58-A Housing	5008M0YXXA (H)	1	PA66+23%GF	UL94V-0
ITEM NAME OF PART		NO. OF PART		Q'TY MATERIAL NOTES	
DEGSON 宁波高正电子有限公司 DEGSON ELECTRONICS CO., LTD.					
NAME: DG58C-A-XXP-1Y-00A(H)					
DRAWING NO. DG58C-E01					
/PART NO. A3					
DO NOT SCALE DRAWING					
SHEET 1 OF 1					

DETACHED LISTS

UNIT	MIN	MAX
TOLEANCES EXCEPT AS NOTED		
MM	±	±
°	±	±
ANGLES ± 1°		
THIRD ANGLE PROJECTION		

8 7 6 5 4 3 2