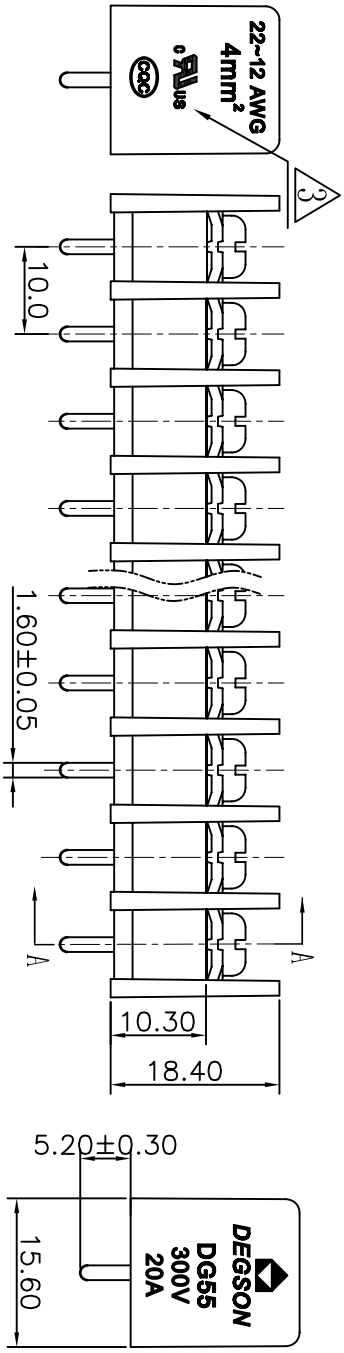
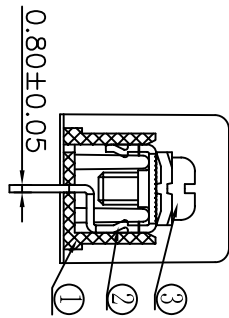
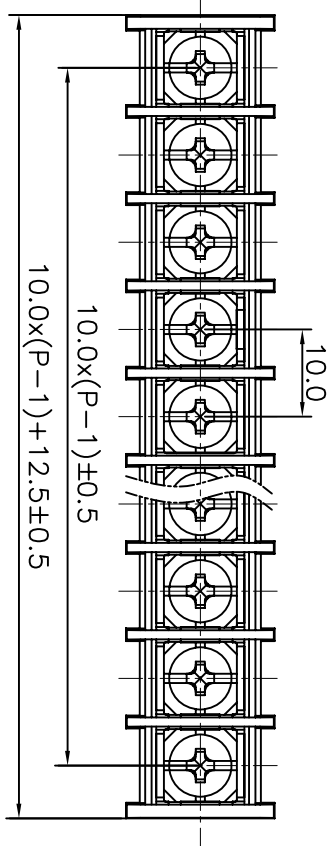
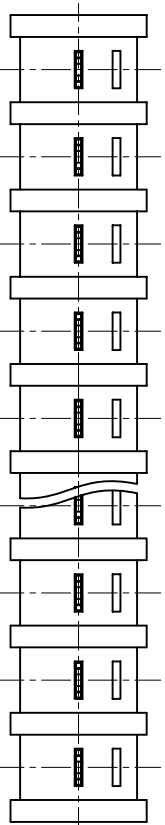


REVISION RECORD			
REV	ECO	DESCRIPTION	DRFT DATE
△		图面更新	06/09/06*
△		增加U1刻字	01/29/07
△		品名、料号增加环保标示“(H)”	12/08/07*



Finish range in mm	Nominal dimension range			
	in mm	in mm	in mm	in mm
6 to 10	6 to 10	30 to 60	100 to 150	∩
10 to 24	10 to 30	60 to 100	150 to 190	□
10 to 150	150 to 250 ± 0.3	250 to 350 ± 0.5	350 to 750 ± 1.0	□

- Notes:
- Pitch: 10.0mm Pole: 2-26P
 - Rated current: 20A
 - Rated voltage: 300V
 - Operation temperatures: -40°C ~ +105°C
 - Withstanding Voltage: AC2000V/1Min
 - Insulation Resistance: 500MΩ/DC500V
 - Wire Range: 22~12AWG
 - Max. Torque Value: 12.24kgf. cm.
 - Undimensioned Tolerances:



3	4*8 bright Screws	S000000570(H)	XX	Steel	Ni Plated
2	DG45C Pin header	5003B00010(H)	XX	Brass	SnCe

ITEM	1	DG55C-B Housing	5004A0YXXA(H)	1	PA66	UL94V-0
NAME OF PART						
NO. OF PART						
Q'TY						
MATERIAL						
NOTES						

DETACHED LISTS	
TOLEANCES EXCEPT AS NOTED	(MM)
0.1 ±	±
0.05 ±	±
0.00 ±	±
ANGLES ± 1°	
THIRD ANGLE PROJECTION	
SCALE : 1:1	

DATE	11/03/03*
CHKD	
MFO	
APPR	
DATE	

NAME	DG55C-B-XXP-1Y-00A(H)
DRAWING NO.	DG55C-E01
/PART NO.	A3
SIZE	REV 14
DO NOT SCALE DRAWING	12/08/07*