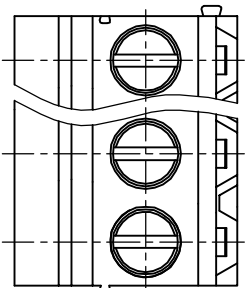


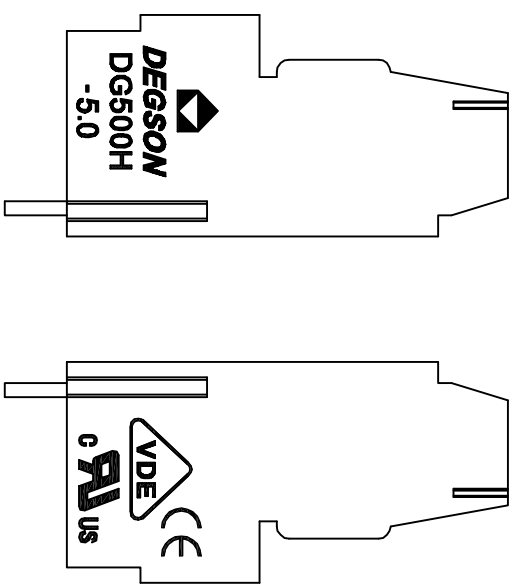
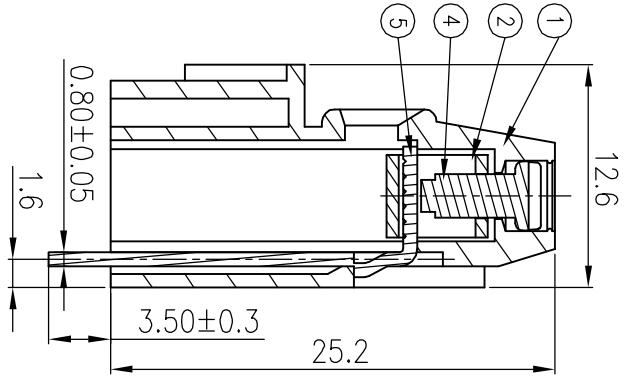
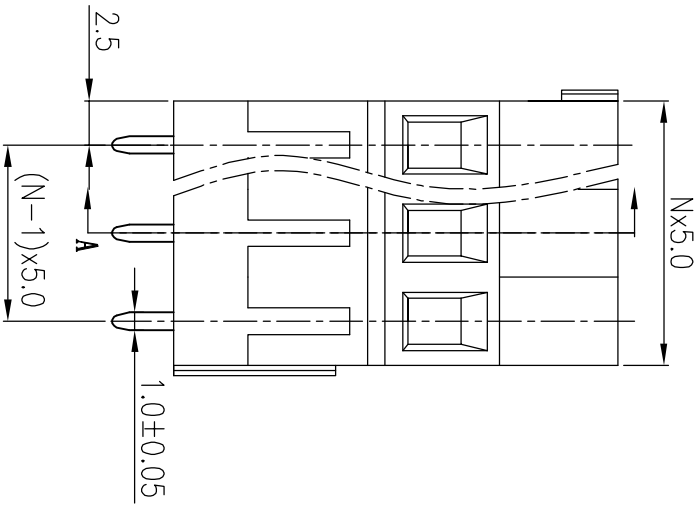
REVISION RECORD

REV	EQD	DESCRIPTION	DW'T	DATE
Δ		Drawing Revise	haojh	03/28/06
Δ		品名、料号增加并修改*0*	CSX	12/10/07
Δ		修改版面	CSX	04/21/08



- Notes:
1. Pitch: 5.0mm Poles: 2-XXP
 2. Rated voltage/current: UL 300V/20A
VDE 250V/24A
 3. Operation temperatures: -40° C ~ +105° C
 4. Insulation Withstand Voltage: AC2000V/1min
 5. Insulation Resistance: 5000MΩ/DC1000V
 6. Wire Range: 28-12AWG 2.5mm²
 7. Max. Torque Value: M2.5 4.08kgf.cm
 8. Undimensioned Tolerances:

Pitch range in mm	Nominal dimension range in mm
over 6 to 10	over 30 to 60
over 10 to 24	over 60 to 100
over 24 to 30	over 100 to 150
over 30 to 60	over 150 to 1000



4	500H Pin header	4038B00010 (H)	XX	Brass	SnCe
3	128-Screws	S000001460 (H)	XX	Steel	Cr ³⁺ Zn
2	128-Cage	X000000020 (H)	XX	Brass	Ni plated

DETACHED LISTS

ITEM	NAME OF PART	NO. OF PART	Q'TY	MATERIAL	NOTES
1	DG500H-5.00-Housing	4037A0YXXA (H)	1	PA66	UL94V-0

NAME	DEGSON 宁波德正电子有限公司
NAME	DEGSON DEGSON ELECTRONICS CO., LTD
DRAWING NO.	DG500H-5.0-E01
/PART NO.	
DD NDT SCALE DRAWING	
SIZE	A3
REV	T3
DATE	04/21/08
SHEET	1
OF	1

THIRD ANGLE PROJECTION	SCALE: 1:1
FINISH:	
ANGLES ± 1°	
FINISH:	
SCALE: 1:1	