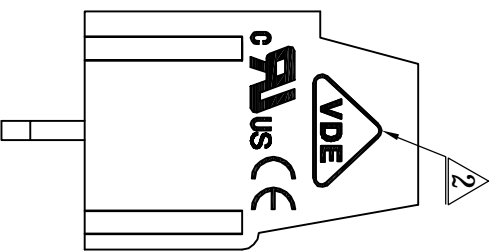
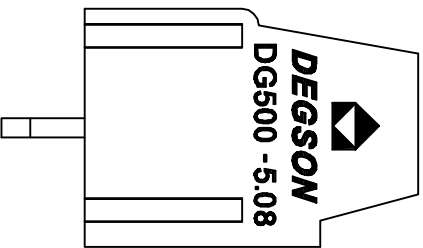
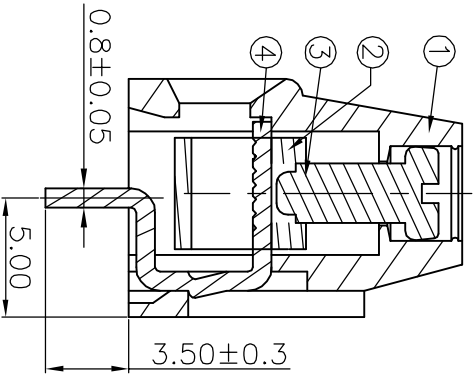
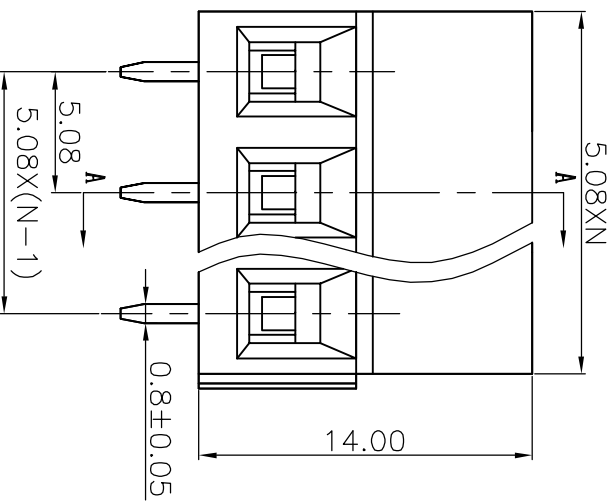


- Notes:
1. Pitch: 5.08mm
 2. Rated voltage/current: UL 300V/15A Δ VDE 250V/18A
 3. Operation temperatures: $-40^{\circ}\text{C} \sim +105^{\circ}\text{C}$
 4. Insulation Withstand Voltage: AC2000V/1min
 5. Insulation Resistance: 5000M Ω /DC1000V
 6. Wire Range: 24-12AWG 2.5mm²
 7. Max. Torque Value: 4.08kgf. cm
 8. Undimensioned Tolerances:

Pitch range in mm	Nominal dimension range in mm	
over 6	over 10	over 30
to 10	to 24	to 60
to 15	to 30	to 100
to 20	to 40	to 150
to 25	to 50	
to 30	to 60	
to 35	to 70	
to 40	to 80	
to 45	to 90	
to 50	to 100	
to 55	to 110	
to 60	to 120	
to 65	to 130	
to 70	to 140	
to 75	to 150	
to 80	to 160	
to 85	to 170	
to 90	to 180	
to 95	to 190	
to 100	to 200	
to 105	to 210	
to 110	to 220	
to 115	to 230	
to 120	to 240	
to 125	to 250	
to 130	to 260	
to 135	to 270	
to 140	to 280	
to 145	to 290	
to 150	to 300	
to 155	to 310	
to 160	to 320	
to 165	to 330	
to 170	to 340	
to 175	to 350	
to 180	to 360	
to 185	to 370	
to 190	to 380	
to 195	to 390	
to 200	to 400	
to 205	to 410	
to 210	to 420	
to 215	to 430	
to 220	to 440	
to 225	to 450	
to 230	to 460	
to 235	to 470	
to 240	to 480	
to 245	to 490	
to 250	to 500	
to 255	to 510	
to 260	to 520	
to 265	to 530	
to 270	to 540	
to 275	to 550	
to 280	to 560	
to 285	to 570	
to 290	to 580	
to 295	to 590	
to 300	to 600	
to 305	to 610	
to 310	to 620	
to 315	to 630	
to 320	to 640	
to 325	to 650	
to 330	to 660	
to 335	to 670	
to 340	to 680	
to 345	to 690	
to 350	to 700	
to 355	to 710	
to 360	to 720	
to 365	to 730	
to 370	to 740	
to 375	to 750	
to 380	to 760	
to 385	to 770	
to 390	to 780	
to 395	to 790	
to 400	to 800	
to 405	to 810	
to 410	to 820	
to 415	to 830	
to 420	to 840	
to 425	to 850	
to 430	to 860	
to 435	to 870	
to 440	to 880	
to 445	to 890	
to 450	to 900	
to 455	to 910	
to 460	to 920	
to 465	to 930	
to 470	to 940	
to 475	to 950	
to 480	to 960	
to 485	to 970	
to 490	to 980	
to 495	to 990	
to 500	to 1000	



SECTION A-A

4	DG128-Pin header	4027B00010(H)XX	Barss	SnCe
3	DG128 Screws	S000001460(H)XX	Steel	Cr ³⁺ Zn
2	DG128 Brass Cage	X000000020(H)XX	Brass	Ni plated

1	DG500-5.08 Housing	403640YXXA(H)	1	PAG6	UIJ94Y-0
ITEM	NAME OF PART	NO. OF PART	Q'TY	MATERIAL	NOTES
DETACHED LISTS TOLERANCES EXCEPT AS NOTED ANGLES $\pm 1^{\circ}$ THIRD ANGLE PROJECTION FINISH: SCALE: 1:1 NAME: DG500-5.08-XPP-1Y-00A(H) DRAWING NO. DG500-5.08-E02 DO NOT SCALE DRAWING					
DEGSON 宁波德正电子有限公司 DEGSON® DEGSON ELECTRONICS CO., LTD DATE: 09/23/05 DATE: 11/14/07 DATE: 08/02/10					

4	THIRD ANGLE PROJECTION	3	2	1
---	------------------------	---	---	---