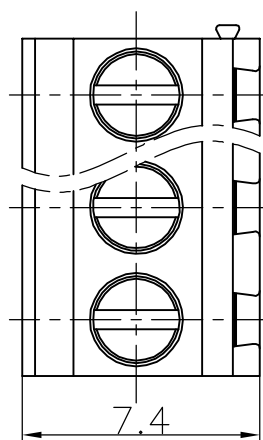
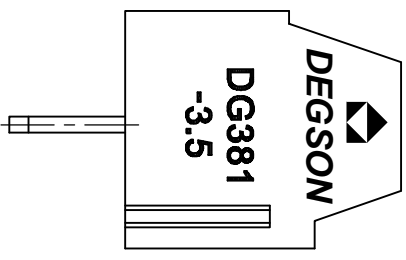
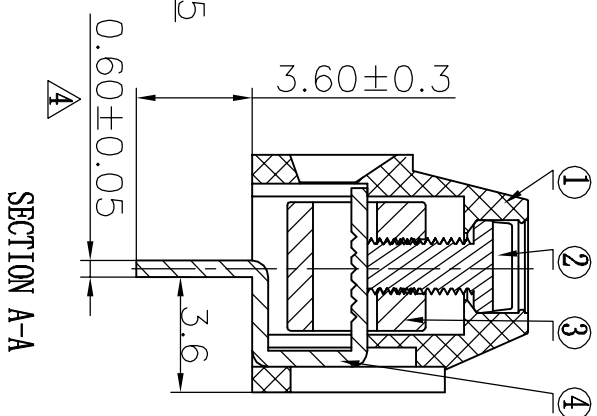
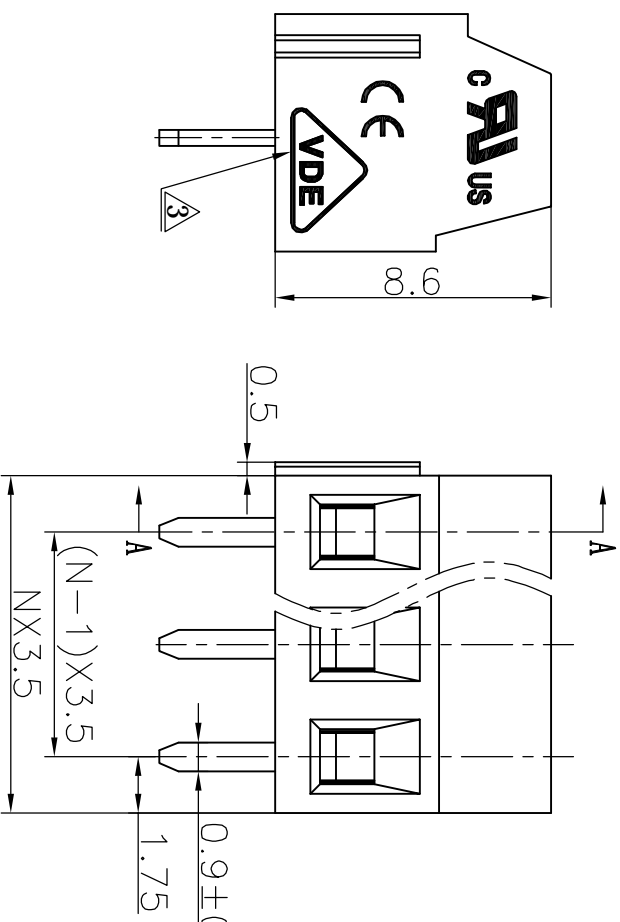


REVISION RECORD			
REV	ECO	DESCRIPTION	DRFT DATE
△		Drawing Revise	06/27/06
△		??VDE?CE??	LJH 11/12/07
△		修改得脚厚度尺寸	LJH 06/17/08



- Notes:
1. Pitch: 3.5mm , Poles: 2-24P
  2. Rated voltage/current: UL 150V/10A VDE 130V/10A
  3. Operation temperatures: -40°C ~ +105°C
  4. Withstanding Voltage: AC2000V/1Min
  5. Insulation Resistance: 5000MΩ /DC1000V
  6. Wire Range: 26~16AWG, 1.0mm<sup>2</sup>
  7. Max. Torque Value: M2, 2.04kgf·cm
  8. Undimensioned Tolerances:

Pitch range in mm	Nominal dimension range in mm	over	over	over	over
6	10	to	to	to	to
10	24	to	to	to	to
15	30	to	to	to	to
20	60	to	to	to	to
25	100	to	to	to	to
30	150	to	to	to	to



4	DC381 Pin header	4047B00010 (H)	XX	Phosphor bronze	Sn/Co
3	DC381 Cage	X000000300 (H)	XX	Brass	Ni plated
2	DC381 Screws	S000001440 (H)	XX	Steel	Cr <sup>3+</sup> Zn

1	DC381-3.5-Housing	4032A0YXXA (H)	1	PA66	UL94V-0
ITEM	NAME OF PART	NO. OF PART	Q'TY	MATERIAL	NOTES
DETACHED LISTS TOLERANCES EXCEPT AS NOTED ANGLES ± 1° THIRD ANGLE PROJECTION FINISH: G.E.: SCALE: DO NOT SCALE DRAWING					
NAME: <b>DEGSON</b> 宁波德正电子有限公司 DEGSON® DEGSON ELECTRONICS CO., LTD NAME: DC381-3.5-XXP-1Y-00A(H) DRAWING NO.: DG381-3.5-E02 /PART NO.: A3 DO NOT SCALE DRAWING					