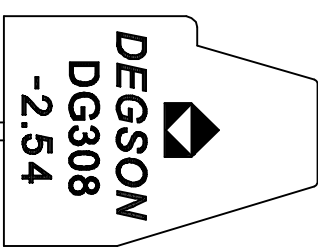
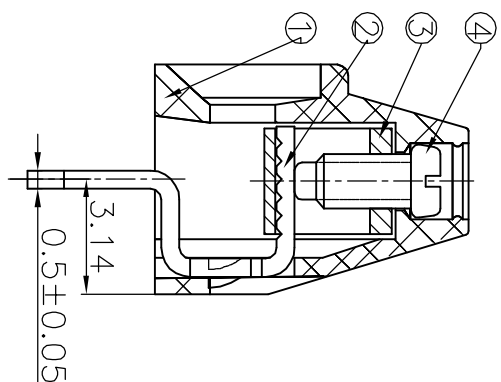
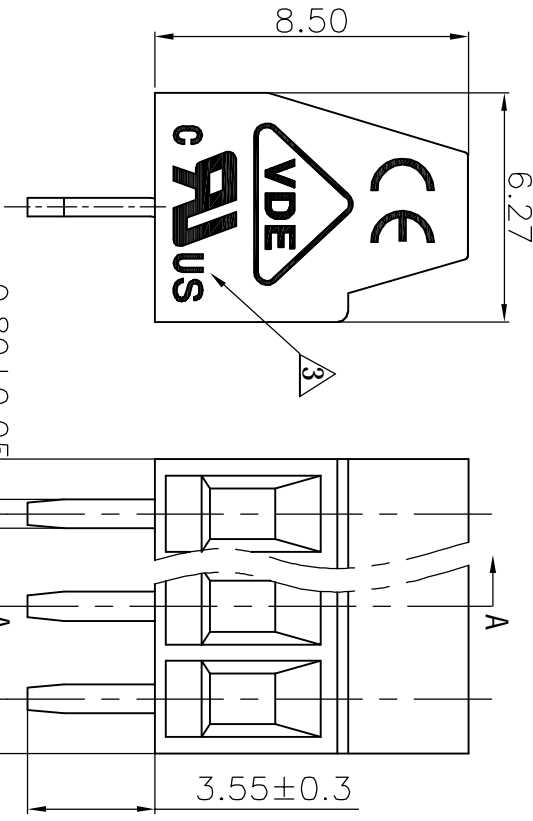


- Notes:
1. Pitch: 2.54mm
  2. Rated voltage/current: UL 150V/6A  
VDE 130V/8A
  3. Operation temperatures: -40°C~+105°C
  4. Withstanding Voltage: AC2000V/1Min
  5. Insulation Resistance: 5000MΩ/DC1000V
  6. Wire Range: 26-18AWG; 1.0mm<sup>2</sup>
  7. Max. Torque Value: 1.5kgf.cm
  8. Undimensioned Tolerances:

Pitch range in mm	Normal dimension range in mm	
over 6	over 30	over 100
to 10	to 60	to 150
to 24	to 30	to 150
to 6	to 10	to 150
±0.10	±0.15	±0.25 ±0.2 ±0.3 ±0.5 ±0.7 ±1.0 ±0.5/10

REV	ECN	DESCRIPTION	DRFT	DATE
△		Drawing Revise		Haoyh 03/23/06
△		增加UL刻字		CSX 10/04/06
△		增加VDE刻字		CSX 10/24/07
△		品名、料号增加不保材料“(0)”		CSX 12/10/07
△	IP-001	增加品名变更		Michcy/03/23/07



ITEM	NAME OF PART	NO. OF PART	Q'TY	MATERIAL	NOTES
1	DG308-Housing	4024A0YXXA(H)	1	PA66	UL94V-0

DETACHED LISTS		DFTO TONGXC		DATE	
MM	(INCH)	CHKD	DATE	MFO	DATE
0 ±					
0.00 ±		APPL	DATE		
ANGLES ± °		MATERIAL :			
		G.E. :			
		FINISH :			
		SCALE : 1:1			
		THIRD ANGLE PROJECTION			

ITEM	NAME OF PART	NO. OF PART	Q'TY	MATERIAL	NOTES
1	DG308-Housing	4024A0YXXA(H)	1	PA66	UL94V-0
2	DG308-Pln header	4024B00010(H)	XX	Brass	
3	DG308-Cage	X000000320(H)	XX	Brass	NI plated
4	DG308-Screws	S000000500(H)	XX	Steel	C <sup>3</sup> Zn

8 | 7 | 6 | 5 | 4 | 3 | 2 | 1

A

B

C

D

E

F

G

H