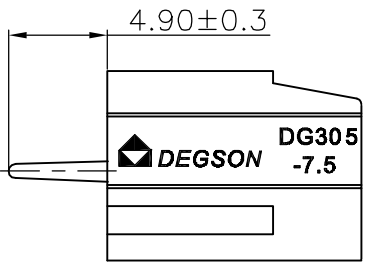
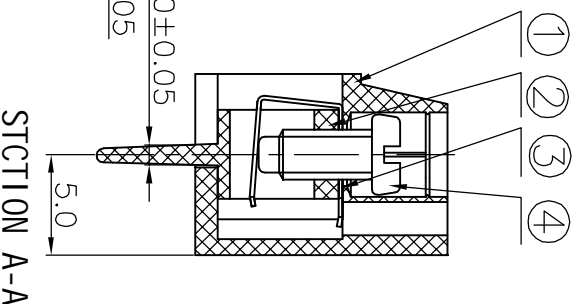
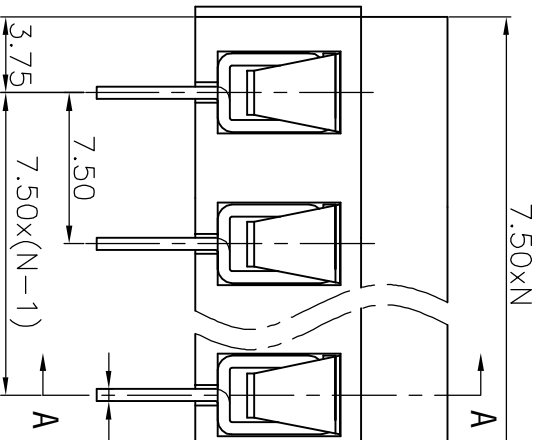
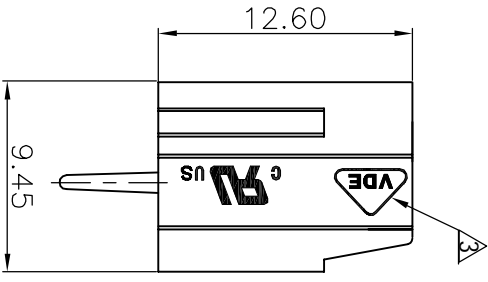
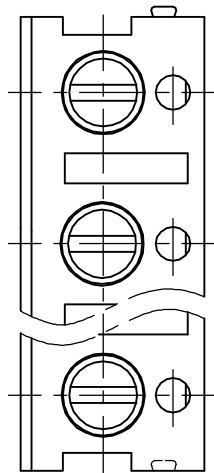


REVISION RECORD			
REV	ECOI	DESCRIPTION	DATE
1		Drawing Revise	03/28/06
2		增加山刻字	06/18/07
3		增加VDE标志	12/24/07
4		增加"conform"标志	07/03/08
5		弹片材料由磷青铜变为不锈钢	07/07/08



- Notes:
1. Pitch: 7.5mm , Poles: 2-XXP
 2. Rated voltage/current: UL 300V/15A VDE 250V/20A
 3. Operation temperatures: -30℃~+120℃
 4. Withstanding Voltage: AC2000V/1Min
 5. Insulation Resistance: 5000MΩ /DC1000V
 6. Wire Range: 12~18AWG, 2.5mm²
 7. Max. Torque Value: M2, 5, 4, 08kgf.cm
 8. Undimensioned Tolerances:

Pitch range in mm	Nominal dimension range in mm
over 6 to 10	over 30 to 60
over 10 to 24	over 60 to 100
over 24 to 30	over 100 to 150
over 30 to 40	over 150 to 200

ITEM	NAME OF PART	NO. OF PART	Q'TY	MATERIAL	NOTES
4	DG305-Screws	S000001620(H)	XX	Steel	C ³ Zn
3	DG305-Spring	X000000260(H)	XX	Stainless steel	
2	DG305-Pin header	4003B00010(H)	XX	Brass	SnCe
1	DG305-7.5-Housing	400840YXA(H)	1	PBT	UL94V-0

DETACHED LISTS	
TOLEANCES EXCEPT AS NOTED	DATE 02/01/05
MM	DATE
0 ±	
.00 ±	
0.00 ±	
ANGLES ± 1°	DATE
THIRD ANGLE PROJECTION	DATE
FINISH :	DATE
G.E. :	DATE
MATERIAL :	DATE
NAME	DATE
DG305-7.5-XXP-1Y-00A(H)	
DRAWING NO. DG305-7.5-E02	
/PART NO.	
DO NOT SCALE DRAWING	

8 7 6 5 4 3 2 1