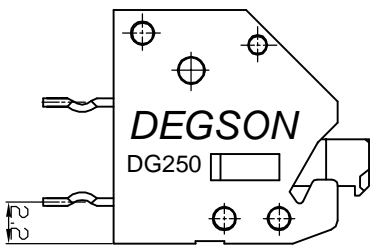
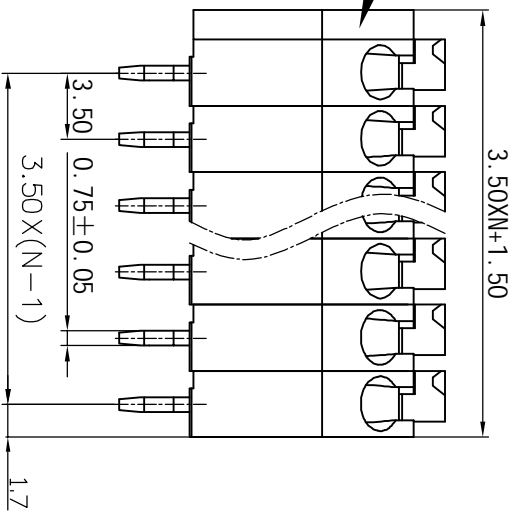
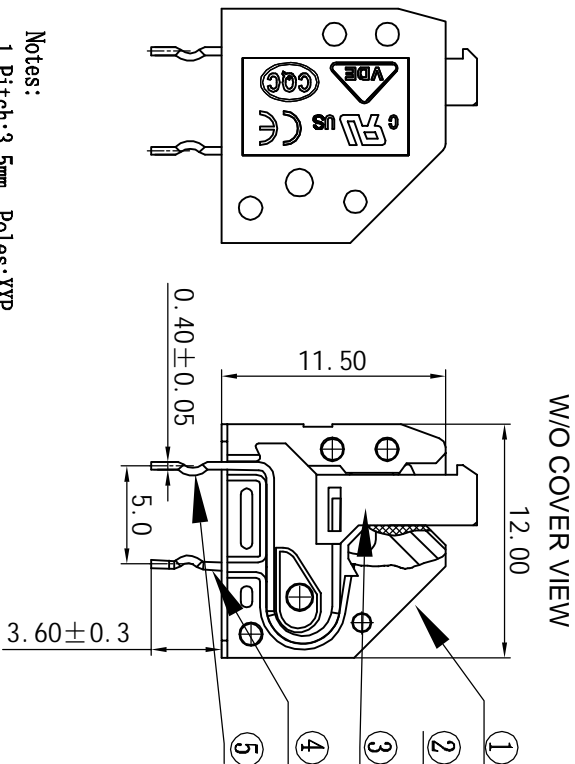
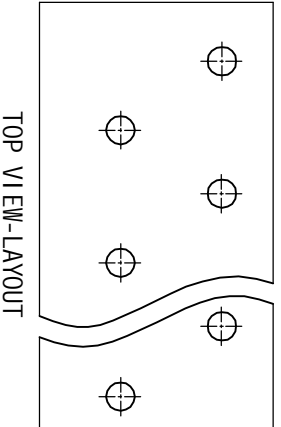


REVISION RECORD			
REV	EQD	DESCRIPTION	DATE



- Notes:
1. Pitch: 3.5mm , Poles: XXP
  2. Rated voltage/current: UL 300V/7A  
VDE 400V/5A
  3. Operation temperatures: -40°C ~ +105°C
  4. Withstanding Voltage: AC2000V/1Min
  5. Insulation Resistance: 5000MΩ /DC1000V
  6. Wire Range: 22~18AWG, 0.2mm<sup>2</sup>~0.75mm<sup>2</sup>
  7. Undimensioned Tolerances:

Pitch	range	in mm	Nominal dimension	range	in mm
over	over	over	over	over	over
6	10	to	30	60	100
to	to	24	to	to	150
10	to	30	60	100	150
±0.10	±0.15	±0.25	±0.2	±0.3	±0.5
			±0.7	±1.0	±0.05/10



ITEM	NAME OF PART	NO. OF PART	Q'TY	MATERIAL	NOTES
1	DC250-3.5 Housing (自动化)	3018A0Y01C(H)	XX	PA66	UL94V-0
2	DC250-3.5 Cover	3018C0Y01A(H)	1	PA66	UL94V-0
3	DC250-3.5 Button (自动化)	3018D0Y01D(H)	XX	PA66	UL94V-0
4	DC250-3.5 small Pin header (自动化)	3018B0100(H)	(X+1) 2 / X/2	Phosphor bronze	SnCe plated
5	DC250-3.5 big Pin header (自动化)	3018B0090(H)	(X+1) 2 / X/2	Phosphor bronze	SnCe plated

ITEM	NAME OF PART	NO. OF PART	Q'TY	MATERIAL	NOTES
1	DC250-3.5 Housing (自动化)	3018A0Y01C(H)	XX	PA66	UL94V-0

DEGSON 宁波德正电子有限公司  
DEGSON ELECTRONICS CO., LTD

NAME: DG250-3.5-XXP-1Y-00A(H), (自动化)

DRAWING NO. DG250-3.5-E134

DRAWING NO. /PART NO. /PART NO.

DD NOT SCALE DRAWING