

REVISION RECORD				
REV	ECN	DESCRIPTION	DRFT	DATE

NOTES1:

UL Standard

- 1.Rated voltage/current : 300V / 15A
- 2.Wire range : 28~12AWG

IEC Standard

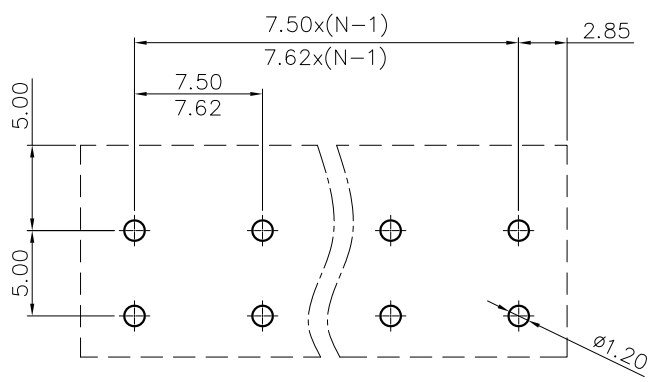
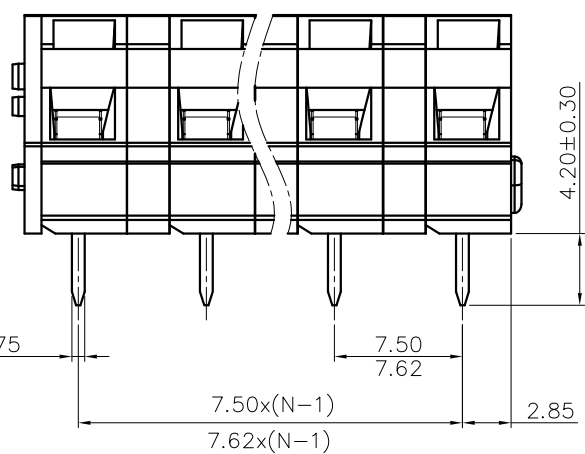
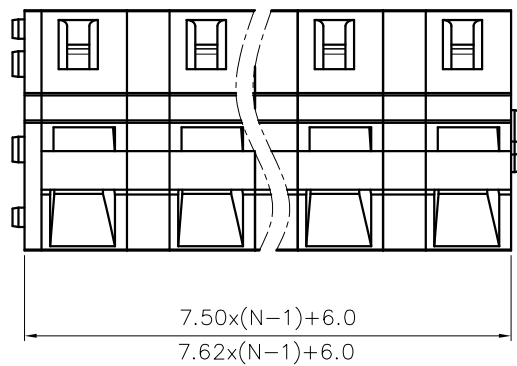
- 1.Rated voltage/current : 750V / 17A
- 3.Wire range : 2.5mm²

NOTES2:

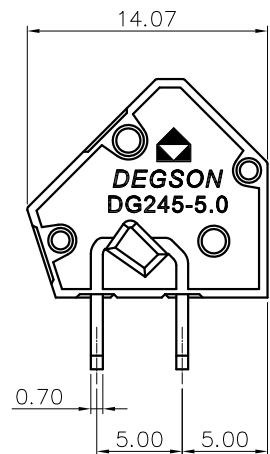
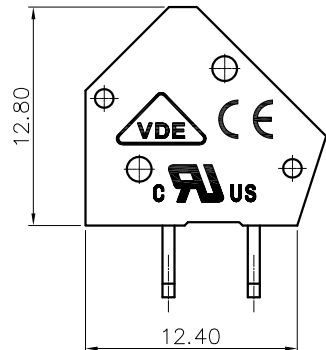
- 1.Dimension shall be interpreted per ASME Y14.5-2009
- 2.Pitch : 7.50/7.62mm, Poles : N=01~XXP
- 3.Stripping length : 5~6mm
- 4.Withstanding voltage : AC3000V/1Min
- 5.Operating temperature: -40°C~+105°C
- 6.Undimensioned tolerances:

Pitch range in mm		Nominal dimension range in mm						
To	Over	To	Over	To	Over	0.1/10	∠	
6	10	24	30	60	100			
±0.15	±0.20	±0.30	±0.30	±0.50	±0.70	±1.00	±1.30	±2'

7.RoHS Compliance



PCB LAYOUT



DG245 - 7.5/7.62 - XXP - 1Y - 00A (H)
 (Series No.)(Pitch) (Poles)(Single Pitch) (Color):1.(Grey)
 2.(Blue)
 3.(Black)
 4.(Green)
 5.(Orange)
 6.(Red)
 7.(Transparent)
 8.(Yellow)
 9.(White)

DETACHED LISTS	PART NO.:	NINGBO DEGSON ELECTRICAL CO., LTD			
	APPD:	NAME: DG245-7.5/7.62-XXP-1Y-00A(H)			
	CHKD:	TITLE: CUSTOMER DRAWING		REV	DO
	DRFT:	DRAWING NO.:		SHEET	1/1
THIRD ANGLE PROJECTION		MM (INCH)	DO NOT SCALE DRAWING	SCALE	1:1

H
G
F
E
D
C
B
A

H
G
F
E
D
C
B
A