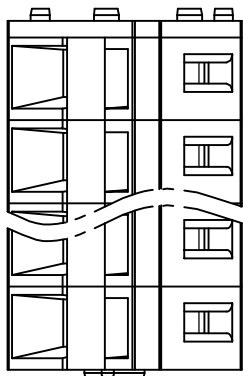


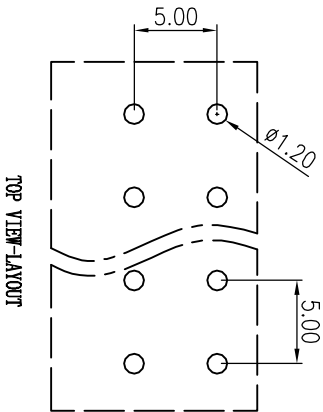
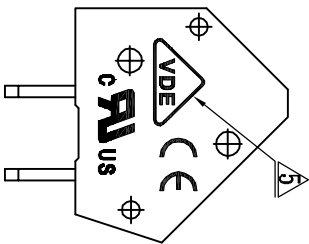
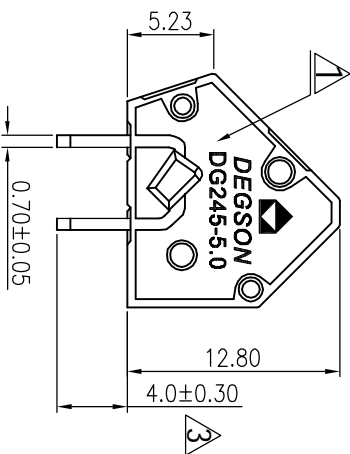
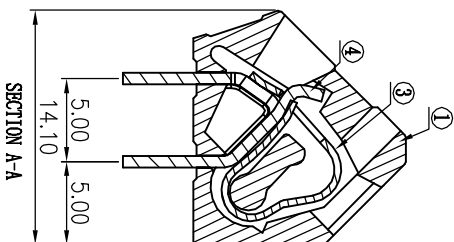
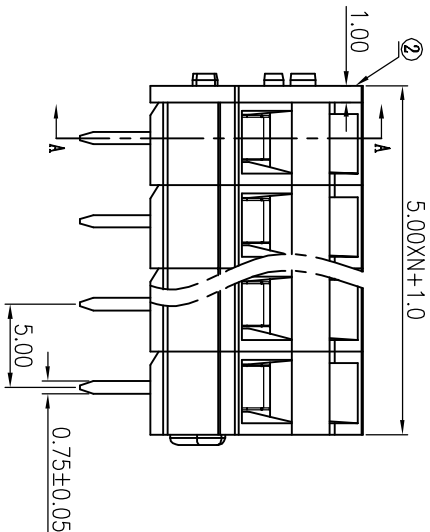
REVISION RECORD

REV	ECN	DESCRIPTION	DWFT	DATE
△		增加刻字	CSX	04/12/07
△		增加U1刻字	CSX	07/27/07
△		出脚由4.2改为4.0	CSX	08/01/07
△		修改参数	Zengy	12/20/08
△	10-0080	增加“VDE”刻字及参数	Jinlai, Lan	04/16/10



- Notes:
1. Pitch: 5.0mm , Poles: XXP
 2. Rated voltage/current: UL 300V/15A
VDE 450V/17A
 3. Operation temperatures: -40°C~+105°C
 4. Withstanding Voltage: AC2000V/1Min
 5. Insulation Resistance: 5000MΩ/DC1000V
 6. Wire Range: 28~12AWG, 2.5mm²
 7. Undimensioned Tolerances:

Pitch range in mm	Nominal dimension range in mm	
over 6	over 30	over 60
to 10	to 100	to 150
to 15	to 150	to 200
to 20	to 200	to 250
to 25	to 250	to 300
to 30	to 300	to 350
to 35	to 350	to 400
to 40	to 400	to 450
to 45	to 450	to 500
to 50	to 500	to 550
to 55	to 550	to 600
to 60	to 600	to 650
to 65	to 650	to 700
to 70	to 700	to 750
to 75	to 750	to 800
to 80	to 800	to 850
to 85	to 850	to 900
to 90	to 900	to 950
to 95	to 950	to 1000
to 100	to 1000	to 1050
to 105	to 1050	to 1100
to 110	to 1100	to 1150
to 115	to 1150	to 1200
to 120	to 1200	to 1250
to 125	to 1250	to 1300
to 130	to 1300	to 1350
to 135	to 1350	to 1400
to 140	to 1400	to 1450
to 145	to 1450	to 1500
to 150	to 1500	to 1550
to 155	to 1550	to 1600
to 160	to 1600	to 1650
to 165	to 1650	to 1700
to 170	to 1700	to 1750
to 175	to 1750	to 1800
to 180	to 1800	to 1850
to 185	to 1850	to 1900
to 190	to 1900	to 1950
to 195	to 1950	to 2000
to 200	to 2000	to 2050
to 205	to 2050	to 2100
to 210	to 2100	to 2150
to 215	to 2150	to 2200
to 220	to 2200	to 2250
to 225	to 2250	to 2300
to 230	to 2300	to 2350
to 235	to 2350	to 2400
to 240	to 2400	to 2450
to 245	to 2450	to 2500
to 250	to 2500	to 2550
to 255	to 2550	to 2600
to 260	to 2600	to 2650
to 265	to 2650	to 2700
to 270	to 2700	to 2750
to 275	to 2750	to 2800
to 280	to 2800	to 2850
to 285	to 2850	to 2900
to 290	to 2900	to 2950
to 295	to 2950	to 3000
to 300	to 3000	to 3050
to 305	to 3050	to 3100
to 310	to 3100	to 3150
to 315	to 3150	to 3200
to 320	to 3200	to 3250
to 325	to 3250	to 3300
to 330	to 3300	to 3350
to 335	to 3350	to 3400
to 340	to 3400	to 3450
to 345	to 3450	to 3500
to 350	to 3500	to 3550
to 355	to 3550	to 3600
to 360	to 3600	to 3650
to 365	to 3650	to 3700
to 370	to 3700	to 3750
to 375	to 3750	to 3800
to 380	to 3800	to 3850
to 385	to 3850	to 3900
to 390	to 3900	to 3950
to 395	to 3950	to 4000
to 400	to 4000	to 4050
to 405	to 4050	to 4100
to 410	to 4100	to 4150
to 415	to 4150	to 4200
to 420	to 4200	to 4250
to 425	to 4250	to 4300
to 430	to 4300	to 4350
to 435	to 4350	to 4400
to 440	to 4400	to 4450
to 445	to 4450	to 4500
to 450	to 4500	to 4550
to 455	to 4550	to 4600
to 460	to 4600	to 4650
to 465	to 4650	to 4700
to 470	to 4700	to 4750
to 475	to 4750	to 4800
to 480	to 4800	to 4850
to 485	to 4850	to 4900
to 490	to 4900	to 4950
to 495	to 4950	to 5000
to 500	to 5000	to 5050
to 505	to 5050	to 5100
to 510	to 5100	to 5150
to 515	to 5150	to 5200
to 520	to 5200	to 5250
to 525	to 5250	to 5300
to 530	to 5300	to 5350
to 535	to 5350	to 5400
to 540	to 5400	to 5450
to 545	to 5450	to 5500
to 550	to 5500	to 5550
to 555	to 5550	to 5600
to 560	to 5600	to 5650
to 565	to 5650	to 5700
to 570	to 5700	to 5750
to 575	to 5750	to 5800
to 580	to 5800	to 5850
to 585	to 5850	to 5900
to 590	to 5900	to 5950
to 595	to 5950	to 6000
to 600	to 6000	to 6050
to 605	to 6050	to 6100
to 610	to 6100	to 6150
to 615	to 6150	to 6200
to 620	to 6200	to 6250
to 625	to 6250	to 6300
to 630	to 6300	to 6350
to 635	to 6350	to 6400
to 640	to 6400	to 6450
to 645	to 6450	to 6500
to 650	to 6500	to 6550
to 655	to 6550	to 6600
to 660	to 6600	to 6650
to 665	to 6650	to 6700
to 670	to 6700	to 6750
to 675	to 6750	to 6800
to 680	to 6800	to 6850
to 685	to 6850	to 6900
to 690	to 6900	to 6950
to 695	to 6950	to 7000
to 700	to 7000	to 7050
to 705	to 7050	to 7100
to 710	to 7100	to 7150
to 715	to 7150	to 7200
to 720	to 7200	to 7250
to 725	to 7250	to 7300
to 730	to 7300	to 7350
to 735	to 7350	to 7400
to 740	to 7400	to 7450
to 745	to 7450	to 7500
to 750	to 7500	to 7550
to 755	to 7550	to 7600
to 760	to 7600	to 7650
to 765	to 7650	to 7700
to 770	to 7700	to 7750
to 775	to 7750	to 7800
to 780	to 7800	to 7850
to 785	to 7850	to 7900
to 790	to 7900	to 7950
to 795	to 7950	to 8000
to 800	to 8000	to 8050
to 805	to 8050	to 8100
to 810	to 8100	to 8150
to 815	to 8150	to 8200
to 820	to 8200	to 8250
to 825	to 8250	to 8300
to 830	to 8300	to 8350
to 835	to 8350	to 8400
to 840	to 8400	to 8450
to 845	to 8450	to 8500
to 850	to 8500	to 8550
to 855	to 8550	to 8600
to 860	to 8600	to 8650
to 865	to 8650	to 8700
to 870	to 8700	to 8750
to 875	to 8750	to 8800
to 880	to 8800	to 8850
to 885	to 8850	to 8900
to 890	to 8900	to 8950
to 895	to 8950	to 9000
to 900	to 9000	to 9050
to 905	to 9050	to 9100
to 910	to 9100	to 9150
to 915	to 9150	to 9200
to 920	to 9200	to 9250
to 925	to 9250	to 9300
to 930	to 9300	to 9350
to 935	to 9350	to 9400
to 940	to 9400	to 9450
to 945	to 9450	to 9500
to 950	to 9500	to 9550
to 955	to 9550	to 9600
to 960	to 9600	to 9650
to 965	to 9650	to 9700
to 970	to 9700	to 9750
to 975	to 9750	to 9800
to 980	to 9800	to 9850
to 985	to 9850	to 9900
to 990	to 9900	to 9950
to 995	to 9950	to 10000



ITEM	NAME OF PART	NO. OF PART	QTY	MATERIAL	NOTES
1	DG245-5.0-HOUSING	3025A0Y01A (H)	XX	PA66	UL94V-0

DETACHED LISTS														
<table border="1"> <tr> <td>MM</td> <td>0 ±</td> <td>±</td> </tr> <tr> <td>MM</td> <td>00 ±</td> <td>±</td> </tr> <tr> <td>MM</td> <td>000 ±</td> <td>±</td> </tr> </table>	MM	0 ±	±	MM	00 ±	±	MM	000 ±	±	<table border="1"> <tr> <td>ANGLES ± 1°</td> <td></td> </tr> <tr> <td>THIRD ANGLE PROJECTION</td> <td></td> </tr> </table>	ANGLES ± 1°		THIRD ANGLE PROJECTION	
MM	0 ±	±												
MM	00 ±	±												
MM	000 ±	±												
ANGLES ± 1°														
THIRD ANGLE PROJECTION														

DATE	01/13/05*
DATE	
DATE	
DATE	

NAME	DG245-5.0-XXP-1Y-00A(H)
DRAWING NO.	DG245-5.0-E01
/PART NO.	
DO NOT SCALE DRAWING	

SIZE	A3
REV	15
DATE	04/16/07

ITEM	NAME OF PART	NO. OF PART	QTY	MATERIAL	NOTES
4	DG245 Pin header	3025B00010 (H)	XX	Phosphor Bronze	SPCe
3	DG242 Spring	X0000000990 (H)	XX	Stainless steel	
2	DG245-5.0-COVER	3025C0Y01A (H)	1	PA66	UL94V-0

8 7 6 5 4 3 2 1