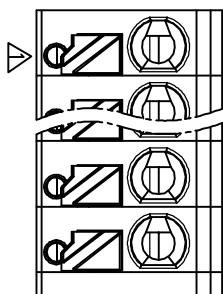
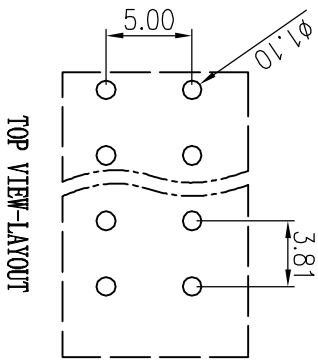
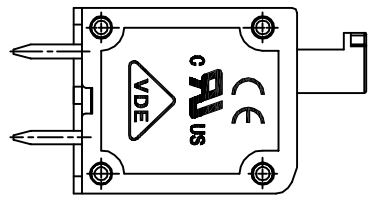
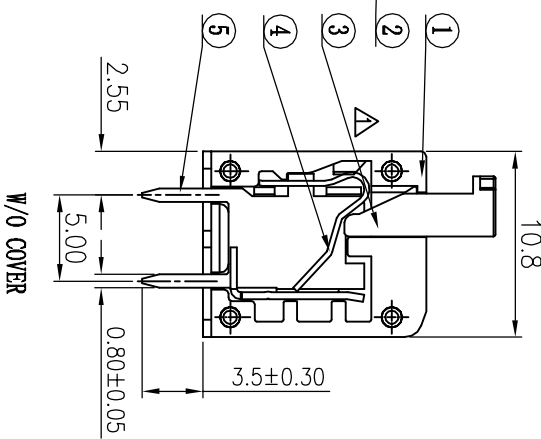
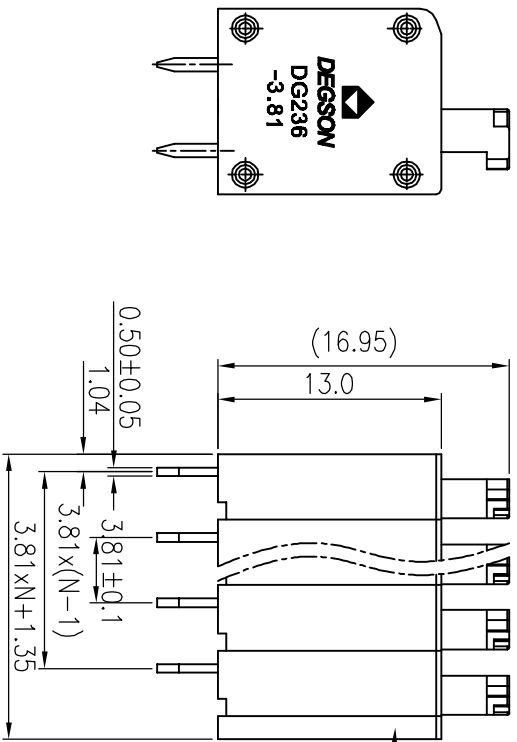


REVISION RECORD			
REV	ECN	DESCRIPTION	DATE
0-002		最终稿, 产品, 规格书	09.08.28
10-0240		通过UL认证, 变更参数	2016.12.07/29/10"



- Notes:
- Pitch: 3.81mm, Poles: 02~XPP
 - Rated voltage/current: UL 300V/8A
IEC 250V/17.5A
 - Operation temperatures: -40°C~+105°C
 - Withstanding Voltage: AC2000V/1Min
 - Insulation Resistance: 5000MΩ/DC1000V
 - Wire Range: 28~16AWG, 1.5mm² ▲
 - Undimensioned Tolerances:

Pitch range in mm	Nominal dimension range in mm	over	over	over	over
6 to 10	10 to 30	60	100	150	—
10 to 15	30 to 60	100	150	—	□
15 to 20	60 to 100	150	—	—	—
20 to 25	100 to 150	—	—	—	—



ITEM	NAME OF PART	NO. OF PART	QTY	MATERIAL	NOTES
5	DG236-3.81 Pin header	3038B00010 (H)	XX	Pure copper	Snce Plated
4	DG236-3.81 Spring	X000003310 (H)	XX	Stainless Steel	
3	DG236-3.81 Button	3038D0Y01A (H)	XX	PA66	UJ.94V-0
2	DG236-5.0 Cover	3020C0Y01A (H)	1	PA66	UJ.94V-0
1	DG236-3.81 Housing	3038A0Y01A (H)	XX	PA66	UJ.94V-0

DEGSON 宁波捷正电子有限公司
DEGSON ELECTRONICS CO., LTD

NAME: DG236-3.81-XPP-1Y-00A(H)

DRAWING NO. DG236-3.81-E01

SCALE: 1:1

DO NOT SCALE DRAWING

SHEET 1 OF 1

8 7 6 5 4 3 2 1