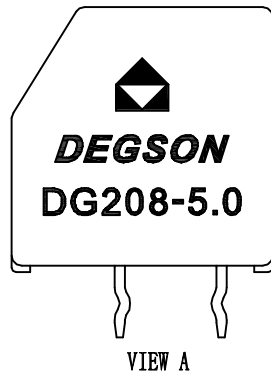
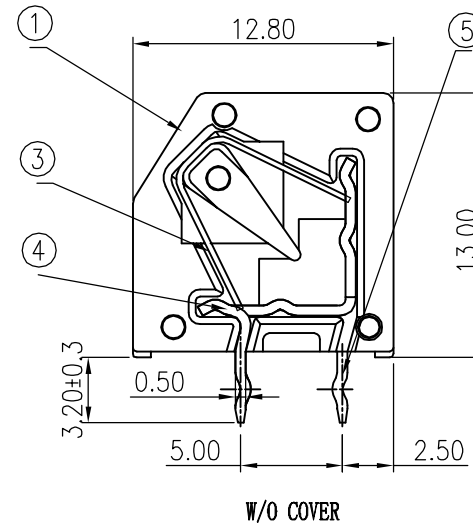
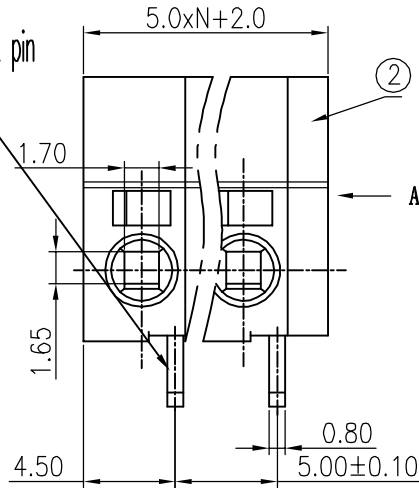
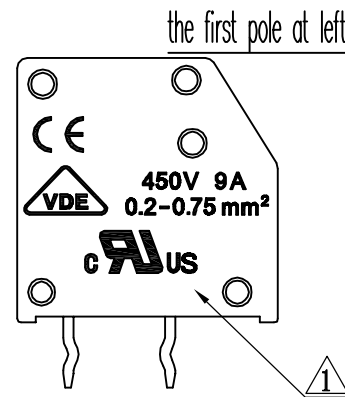


**Notes:**

1. Pitch: 5.0mm
2. Rated voltage/current: UL 300V/7A  
VDE 450V/9A
3. Operation temperatures: -40°C ~ +105°C
4. Withstanding Voltage: AC2500V/1Min
5. Insulation Resistance: 5000MΩ/DC1000V
6. Wire Range: 20~16AWG, 0.2~0.75mm<sup>2</sup>
7. Undimensioned Tolerances:

Pitch range in mm		Nominal dimension range in mm						
to 6	over 6 to 10	over 10 to 24	over 24 to 30	over 30 to 60	over 60 to 100	over 100 to 150	over 150	∩
±0.10	±0.15	±0.25	±0.2	±0.3	±0.5	±0.7	±1.0	□

REVISION RECORD					
REV	ECN	QTY	DESCRIPTION	DRFT	DATE
△	10-0157		增加UL刻字	David. G	05/24/10



VIEW A

5	DG208-5.0 back Pin	3039B00020 (H)	(XX+1)/2/XX/2	Copper	SnCe Plated
4	DG208-5.0 front Pin	3039B00010 (H)	(XX-1)/2/XX/2	Copper	SnCe Plated

3	DG208-5.0 Spring	X000003590 (H)	XX	Stainless Steel	
2	DG208-5.0 Cover	3039C0Y01A (H)	1	PA66	UL94V-0
1	DG208-5.0 Housing	3039A0Y01A (H)	XX	PA66	UL94V-0
ITEM	NAME OF PART	NO. OF PART	Q'TY	MATERIAL	NOTES

DETAILED LISTS	MM (INCH)	DFTO Zhwwm	DATE 11/14/08	宁波高正电子有限公司 DEGSON ELECTRONICS CO., LTD NAME DG208-5.0-XXP-1Y-00A(H) DRAWING NO. DG208-5.0-E01 /PART NO. SIZE A3 REV T1 05/24/10	
TOLERANCES EXCEPT AS NOTED	CHKD	DATE			
	MFO	DATE			
	APPVL	DATE			
MM	.0 ±	±		MATERIAL :	
	.00 ±	±		G.E :	
	.000 ±	±		FINISH :	
ANGLES ± 1°				SCALE : 1:1	DO NOT SCALE DRAWING
THIRD ANGLE PROJECTION					SHEET 1 OF 1