


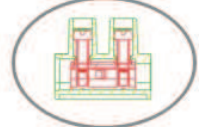




DEGSON ELECTRONICS CO., LTD.

Product Specification

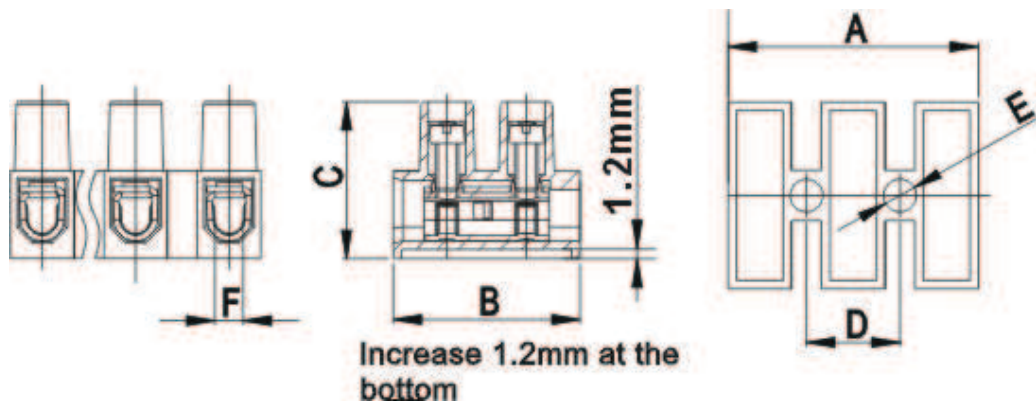





Increase 1.2mm at the bottom

DG8HS-1.2 DG10HS-1.2
DG12HS-1.2 DG15HS-1.2
DG16HS-1.2 DG18HS-1.2

Model	Wire range	IEC (datasheet)		UL (datasheet)		Dimensions (mm/in.)						
		Rated current	Rated voltage	Rated current	Rated voltage	Unit	A	B	C	D	E	F
DG8HS-1.2	0.5-4.0mm ²	32A	450V	15A	300V	(mm)	96.05	17.80	15.50	8.20	± 3.00	2.90*3.40
DG10HS-1.2	1.0-6.0mm ²	41A	450V	20A	300V	(mm)	116.70	20.00	16.80	10.00	± 3.50	3.45*4.00
DG12HS-1.2	2.5-10.0mm ²	57A	750V	30A	300V	(mm)	134.30	23.40	19.00	11.50	± 3.70	4.25*4.70
DG15HS-1.2	6.0-16.0mm ²	76A	750V	50A	300V	(mm)	174.80	25.20	23.00	15.00	± 5.20	5.50*6.00
DG16HS-1.2	10.0-25.0mm ²	101A	750V	65A	300V	(mm)	188.00	30.00	27.70	16.00	± 4.00	7.00*7.50
DG18HS-1.2	16.0-35.0mm ²	125A	750V	85A	600V	(mm)	212.10	36.50	29.70	18.00	± 4.00	8.10*8.60

- ※ Housing material: PA66 UL94V-2
- ※ Current carrier: steel
- ※ Screws: Steel, Cr³⁺Zn-plated
- ※ Ambient temperature: -40°C~T110°C
- ※ Poles available: 2-12P



HOW TO ORDER :

 - **P** - 1 - X X X

Customer Request

Series number **No. of pole** **Color**

1	Single pitch
2	Double pitch

1	Grey	4	Green	7	Trans Parent
2	Blue	5	Orange	8	Yellow
3	Black	6	Red	9	White

	 DEGSON ELECTRONICS CO., LTD.
	NAME DG8HS-1.2 DG10HS-1.2 DG12HS-1.2 DG15HS-1.2 DG16HS-1.2 DG18HS-1.2