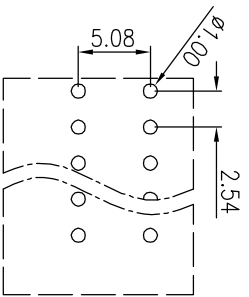
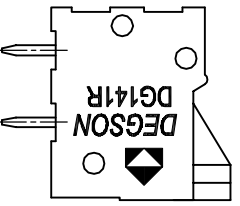
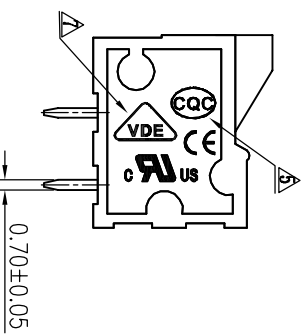
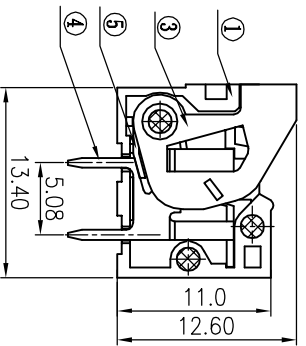
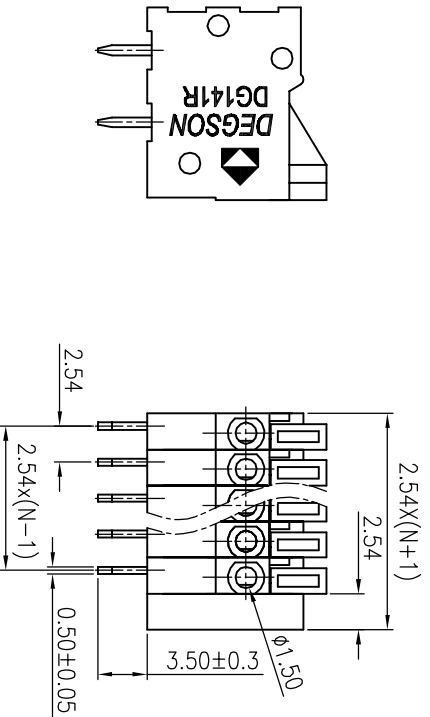
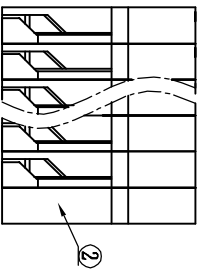


REVISION RECORD				
REV	ECN	DESCRIPTION	DRAFT	DATE
△		工程变更	Ye J	09/07/07*
△		增加L、C刻字	CSX	02/25/08*
△		增加CC刻字	MLM	01/09/09*
△	09-0138	增加焊脚宽度标注	LJH	11/20/09*
△	10-0315	增加VDE刻字及修改参数	ZXX	09/24/10*



- Notes:
- Pitch: 2.54mm, Poles: XXP
  - Rated voltage/current: UL 150V/2A  
VDE 130V/6A △
  - Operation temperatures: -40°C~+105°C
  - Withstanding Voltage: AC2000V/1Min
  - Insulation Resistance: 5000MΩ/DC1000V
  - Wire Range: 24~20AWG, 0.2~1.0mm², △
  - Undimensioned Tolerances:

Pitch range in mm	Nominal dimension range					
	in mm	in mm	in mm	in mm	in mm	in mm
6 to 10	6 to 10	30 to 30	60 to 60	100 to 100	150 to 150	—
10 to 24	10 to 24	30 to 60	60 to 100	100 to 150	—	□
±0.10	±0.15	±0.25	±0.2±0.3	±0.5±0.7	±1.0	0.005/10

ITEM	NAME OF PART	NO. OF PART	QTY	MATERIAL	NOTES
5	DG141-Spring	X000000120 (H)	XX	Stainless Steel	
4	DG141R-Pin header	3002B00010 (H)	XX	Brass	SnCe
3	DG141R-2.54-Button	3002D0501A (H)	XX	PA66	UL94V-0
2	DG141R-2.54-Cover	3002C0Y01A (H)	1	PA66+5%GF	UL94V-0
1	DG141R-2.54-Housing	3002A0Y01A (H)	XX	PA66+5%GF	UL94V-0

**DEGSON** 宁波捷正电子有限公司  
DEGSON ELECTRONICS CO., LTD

NAME: DG141R-2.54-XXP-1Y-00A(H)  
DRAWING NO. DG141R-2.54-E04  
/PART NO.

FINISH: SCALE: 1:1  
DO NOT SCALE DRAWING

DETACHED LISTS

MM	±	±
0.1 ±	±	±
0.00 ±	±	±

