

REVISION RECORD

REV	ECN	DESCRIPTION	DRFT	DATE
△	19-0148	Fixed column with tight tolerance control	Jay.z	2019.05.20

NOTES1:

UL Standard

1. Rated voltage/current : 300V / 20A
2. Withstanding voltage : AC1600V/1Min.
3. Torque value : M3 , 4.5Lb.in
4. Wire range : 24~12AWG

IEC Standard

Pollution degree	2	2	3
Overvoltage category	II	III	III
Rate impulse voltage(KV)	6KV	6KV	6KV
Rate voltage(V)	1000V	630V	400V
Rate current(A)	18A		

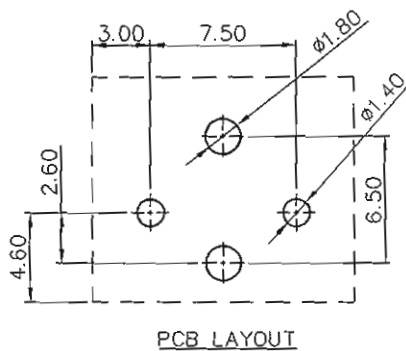
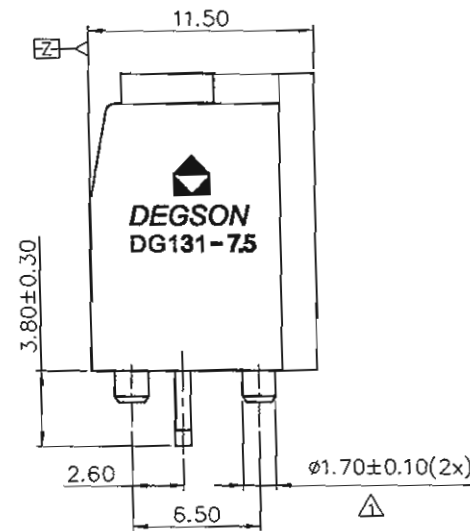
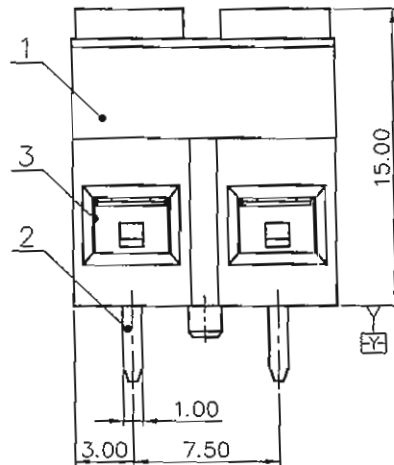
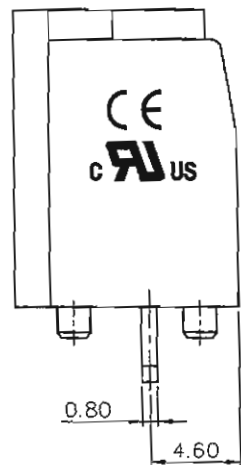
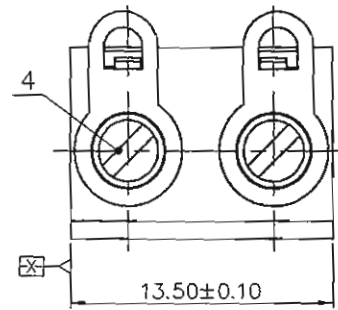
2. Torque value : M3 , 0.5N·m
3. Wire range : 0.2~2.5mm²

NOTES2:

1. Dimension shall be interpreted per ASME Y14.5-2009
2. Pitch : 7.50mm, Poles : 02P
3. Stripping length : 6~7mm
4. Operating temperature: -40°C~+105°C
5. Undimensioned tolerances:

Pitch range in mm		Nominal dimension range in mm				-	~	∅
Over 6	Over 10	Over 30	Over 60	Over 100	Over 150			
To 6	To 10	To 30	To 60	To 100	To 150			
±0.15±0.20±0.30		±0.30±0.50±0.70		±1.00±1.30		0.1/10	<	±2'

6. RoHS Compliance



DG131 - 7.5 - 02P - 1Y - 00A (H)
 (Series No.) (Pitch) (Poles) (Single Pitch) (Color): 1. (Grey) 6. (Red)
 2. (Blue) 7. (Transparent)
 3. (Black) 8. (Yellow)
 4. (Green) 9. (White)
 5. (Orange)

ITEM	NAME OF PART	MATERIAL	NOTES
4	Screw	Steel	M3/Zn Plated
3	Cage	Copper alloy	M3/Ni Plated
2	Pin header	Copper alloy	Sn Plated
1	Housing	PA66	UL94V-0

PART NO.: /		NINGBO DEGSON ELECTRICAL CO., LTD	
APPD: ZHUW/mx1500		NAME: DG131-7.5-02P-1Y-00A(H)	
CHKD: Jay.z 2019.5.20		TITLE: CUSTOMER DRAWING	
DRFT: Jay.z 2018.09.19		REV	T1
THIRD ANGLE PROJECTION		DRAWING NO.: DG131-7.5-C01	SHEET 1/1
		MM (INCH)	DO NOT SCALE DRAWING SCALE 1:1