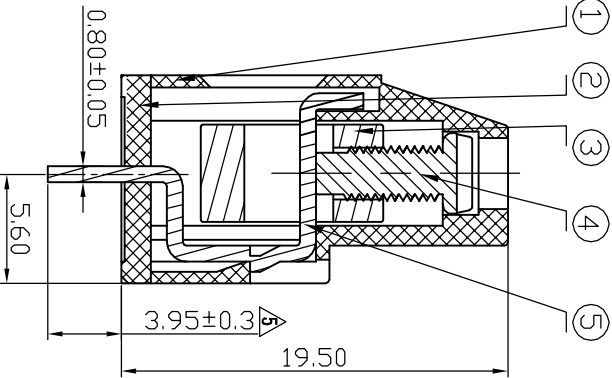
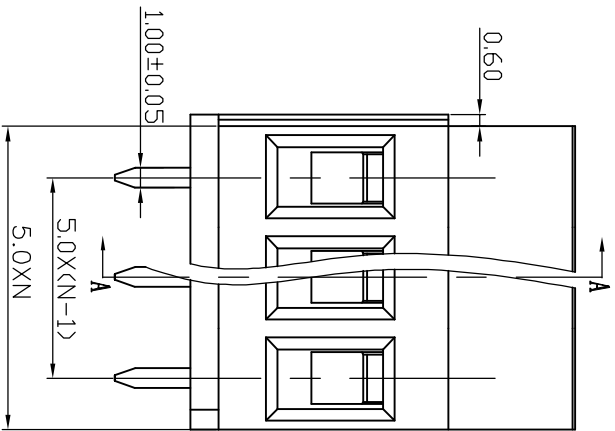
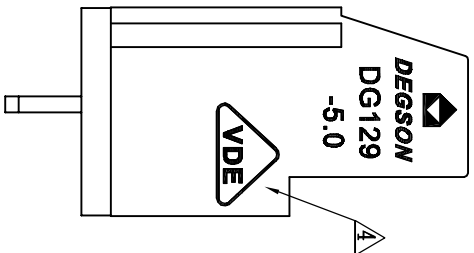
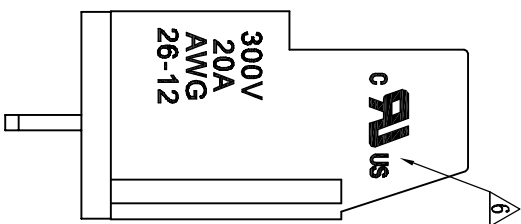


- Notes:
- Pitch: 5.00mm
 - Rated voltage/current: UL 300V/20A
VDE 250V/20A
 - Operation temperatures: -40℃~+105℃
 - Withstanding Voltage: AC2000V/1min
 - Insulation Resistance: 5000MΩ/DC1000V
 - Wire Range: 26~12AWG, 2.5mm²
 - Max. Torque Value: M3, 5.10kgf·cm
 - Undimensioned Tolerances:

Pitch range in mm	Nominal dimension range in mm
over 6	over 30
to 10	to 60
to 15	to 100
to 20	to 150
to 24	to 150
to 30	to 150
to 60	to 150
to 100	to 150
to 150	to 150
to 200	to 150
to 250	to 150
to 300	to 150
to 400	to 150
to 500	to 150
to 600	to 150
to 700	to 150
to 800	to 150
to 900	to 150
to 1000	to 150



SECTION A-A



REVISION RECORD

REV	ECD	DESCRIPTION	DFT	DATE
1		Drawing Revise	Haoyh	03/29/06
2		增加VDE认证	C SX	01/12/07
3		出期由3.85改为3.95±0.30	C SX	02/09/07
4		修改血刻字	C SX	08/06/07
5		更新图面	LJH	01/18/08

3	DG129-Cage	X000000200(H)	XX	Brass	Ni plated
2	DG129-5.0-Cover	4029C0VXXA(H)	1	PA66	UL 94V-0
1	DG129-5.0-Housing	4029A0VXXA(H)	1	PA66	UL 94V-0

ITEM	NAME OF PART	NO. OF PART	MATERIAL	NOTES
1	DG129-5.0-Housing	1	PA66	UL 94V-0
2	DG129-5.0-Cover	1	PA66	UL 94V-0
3	DG129-Cage	1	Brass	Ni plated

DETACHED LISTS	
THIRD ANGLE PROJECTION	SCALE: 1:1
FINISH:	
FINISH:	
SCALE: 1:1	

5	DG129-Pin header	4029B00010(H)	XX	Brass	Slide plated
4	DG129-Screws-M3	S000001430(H)	XX	Steel	Cr ³⁺ Zn

8 | 7 | 6 | 5 | 4 | 3 | 2 | 1

A | B | C | D | E | F | G | H

DEGSON® 宁波捷正电子有限公司
DEGSON ELECTRONICS CO., LTD

NAME
DG129-5.0-XXP-1Y-00A(H)

DRAWING NO. DG129-5.0-E02

/PART NO.

DD NDT SCALE DRAWING

SIZE
A3

REV
T1

DATE
08/18/08

SHEET 1 OF 1