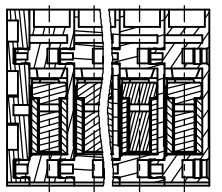
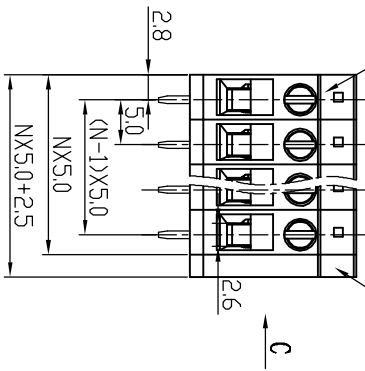
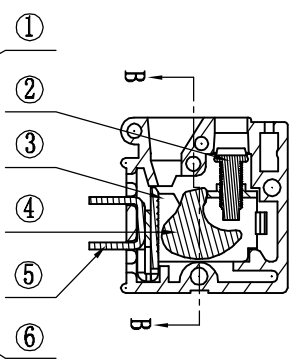
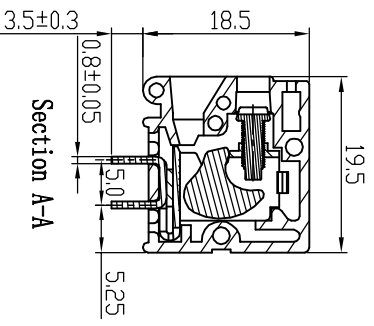


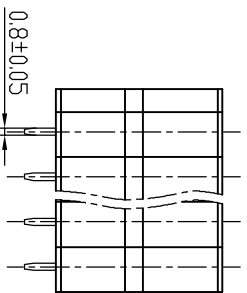
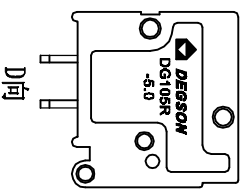
REVISION RECORD			
REV	E/CN	DESCRIPTION	DRFT DATE
Δ	0-0166	增加VDE, CE刻字 增加山刻字	Zengy 07/22/08* Lasting 06/15/10*



Section B-B



Section A-A



- Notes:
1. Pitch: 5.0mm , Poles: 1-XXP
 2. Rated voltage/current: UL 300V/12A VDE 250V/24A
 3. Operation temperatures: -40°C~+105°C
 4. Withstanding Voltage: AC2000V/1Min
 5. Insulation Resistance: 5000MΩ /DC1000V
 6. Wire Range: 30~12AWG, 0.5~2.5mm²
 7. Max. Torque Value: M2.5 , 4.08Kgf.cm
 8. Undimensioned Tolerances:

Pitch range in mm	Nominal dimension range in mm
over 6	over 30
to 10	to 60
to 10	to 100
to 24	to 150
to 30	to 150
to 60	to 150
to 100	to 150
to 150	to 150

6	DG105R-Cover	40900Y01A(H)	1	PA66	UL94V-0
5	DG105R-5.0-Pin header	4090B00010(H)	XX	Copper	Sn6 plated
4	2ED3KC-Block	X000001720(H)	XX	Steel	C ₃ 3 [#] Zn
3	2ED3KC-Cage	X000001710(H)	XX	Steel	C ₃ 3 [#] Zn
2	2ED3KC Screw-M2.5	S000002150(H)	XX	Steel	C ₃ 3 [#] Zn

DETAILED LISTS

ITEM	NAME OF PART	NO. OF PART	Q'TY	MATERIAL	NOTES
1	DG105R-5.0	4090A0Y01A(H)	XX	PA66	UL94V-0

TOLERANCES EXCEPT AS NOTED

FINISH: G.E. : /PART NO. : /SCALE : 1:1

THIRD ANGLE PROJECTION

DATE 12/28/06

DEGSON 宇隆电子电子有限公司
DEGSON ELECTRONICS CO., LTD

NAME: DG105R-5.0-XXP-1Y-00A(H)

DRAWING NO. DG105R-E01

SIZE: A3

REV: 12/06/06

DD NDT SCALE DRAWING SHEET 1 OF 1