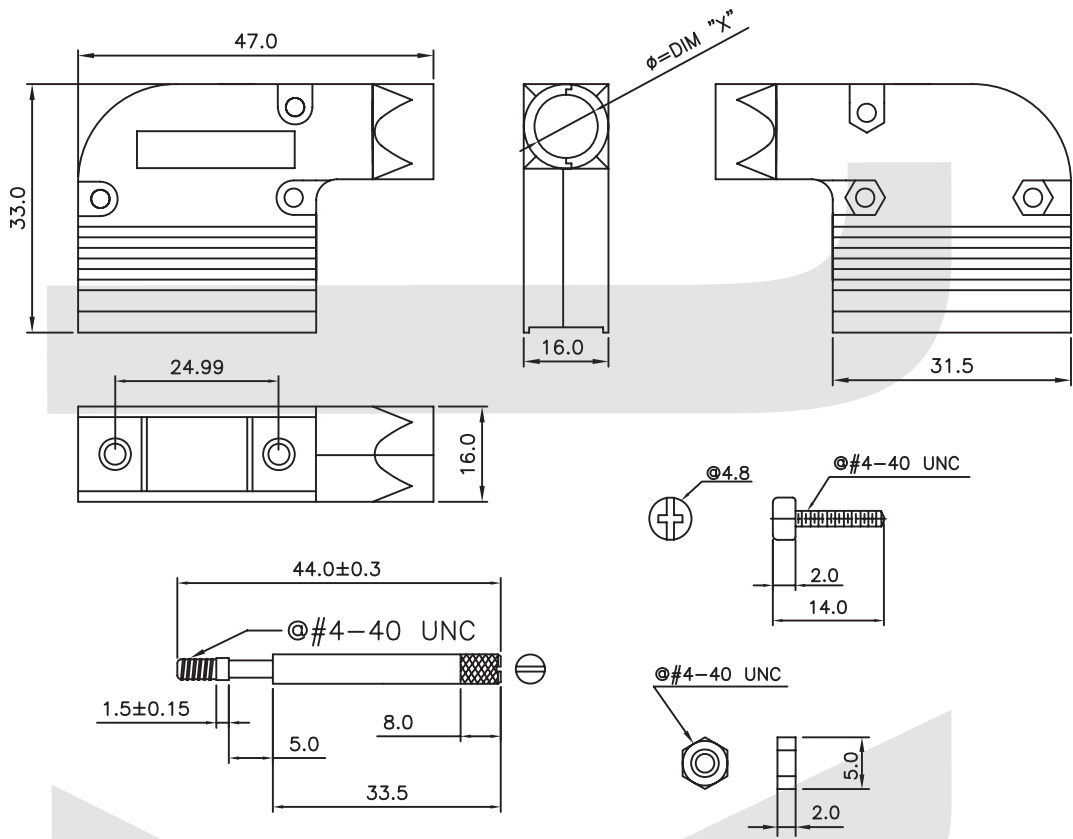
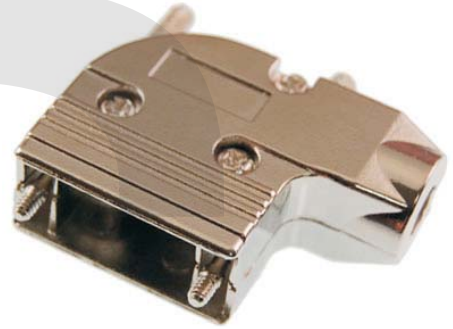


D-SUB Series

KLS1-DBR D-SUB Metal Material Hood 9-25Pin Series

Cover Material: Zinc alloy
Screw Material: Steel



ORDER INFORMATION

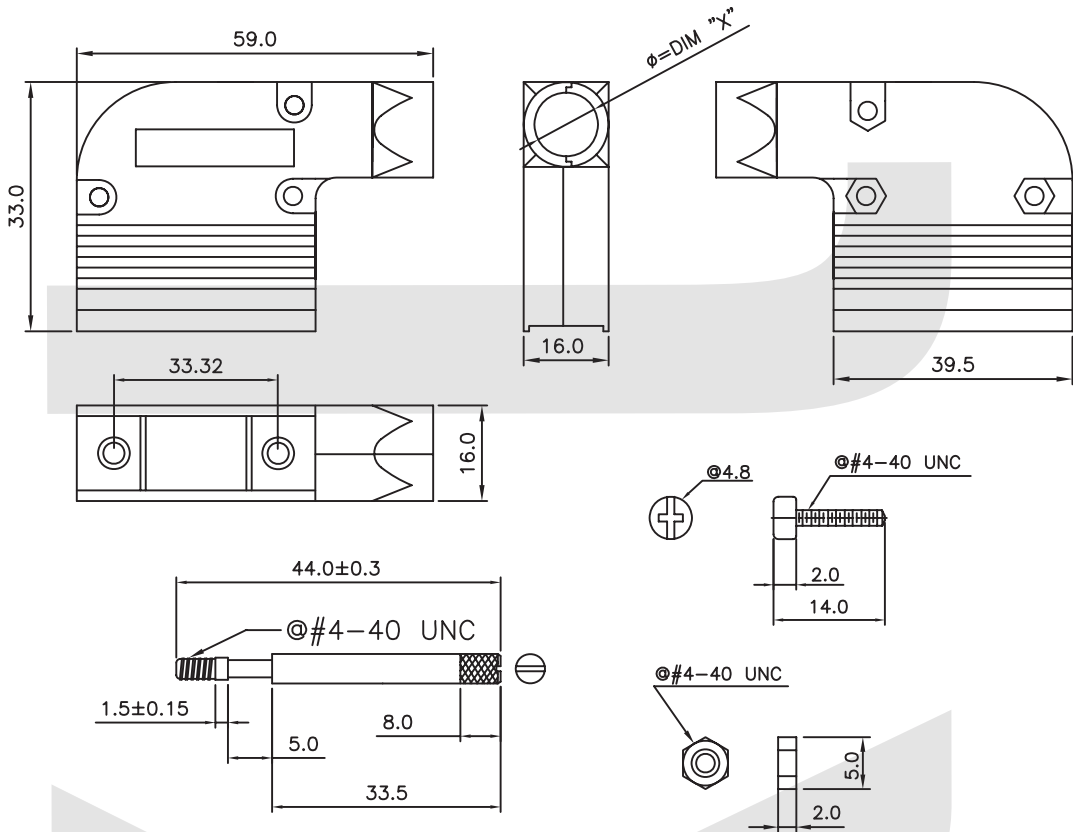
Product NO.: KLS1-DBR-09P-L

Pos. NO. 001=001 pos. L: Long screw
Contact Number of Row DBR=D-SUB Metal Material Hood Series Number of Contacts

D-SUB Series

KLS1-DBR D-SUB Metal Material Hood 9-25Pin Series

Cover Material: Zinc alloy
Screw Material: Steel



ORDER INFORMATION

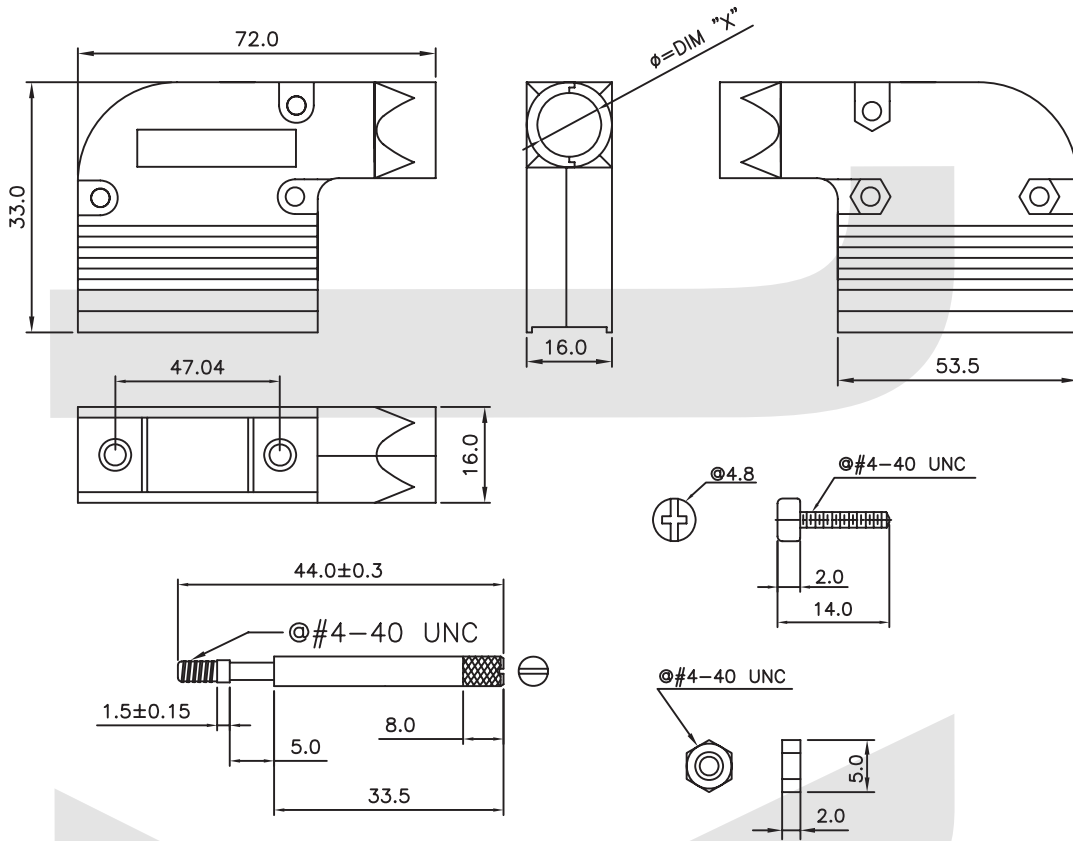
Product NO.: KLS1-DBR-15P-L

Pos. NO. 001=001 pos. L: Long screw
Contact Number of Row DBR=D-SUB Metal Material Hood Series Number of Contacts

D-SUB Series

KLS1-DBR D-SUB Metal Material Hood 9-25Pin Series

Cover Material: Zinc alloy
Screw Material: Steel



ORDER INFORMATION

Product NO.: KLS1-DBR-25P-L

Pos. NO. 001=001 pos. L: Long screw
Contact Number of Row DBR=D-SUB Metal Material Hood Series Number of Contacts