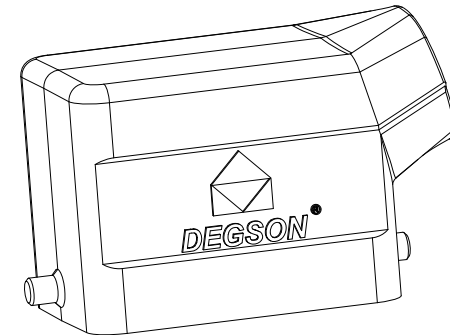
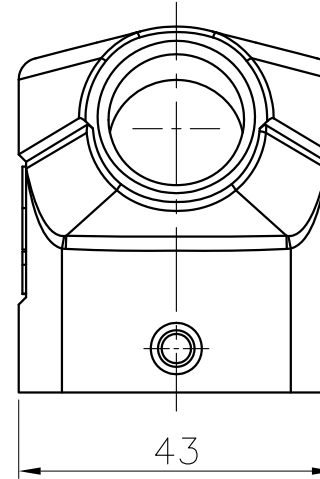
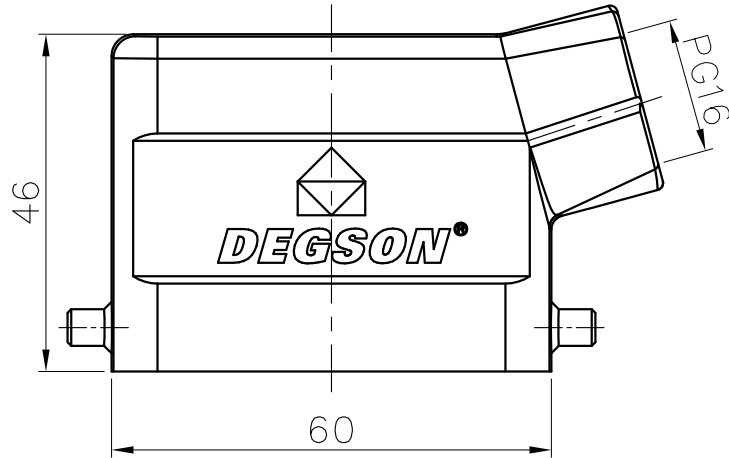


REVISION RECORD				
REV	ECN	DESCRIPTION	DRFT	DATE



Hoods Feature

- 1. Material: Aluminium die-cast
- 2. Color: grey(RAL 7037)
- 3. Limiting temperatures: -40°C ~ +125°C
- 4. Flammability acc to UL94: V0
- 5. Degree of protection acc.to EN60529 for coupled connector: IP65
- 6. Rohs Compliance

DETACHED LISTS	PART NO.:	/			宁波高松电子有限公司 NINGBO DEGSON ELECTRICAL CO., LTD	
	APPD:	NAME: D6B-SE-2g-PG16				
	CHKD:	DRFT: WYM 2016/07/29				
	THIRD ANGLE PROJECTION		DRAWING NO.: D6B-SE-2g-PG16-E01		REV	D0-1
			MM (INCH)		SHEET	1/1
		DO NOT SCALE DRAWING		SCALE		